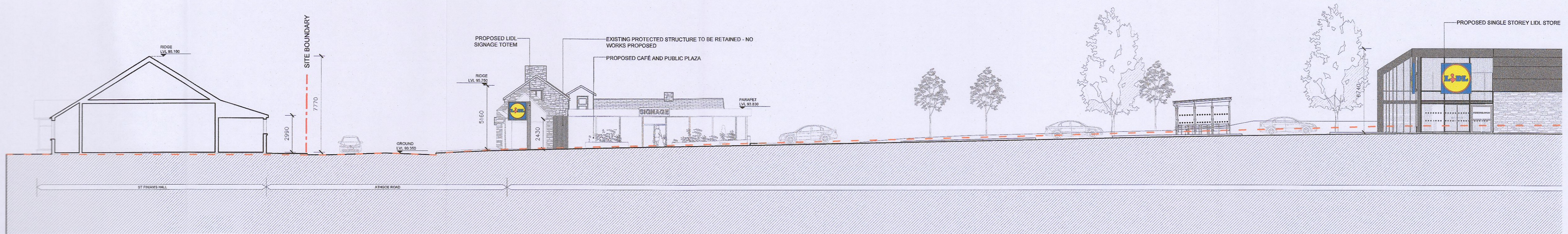
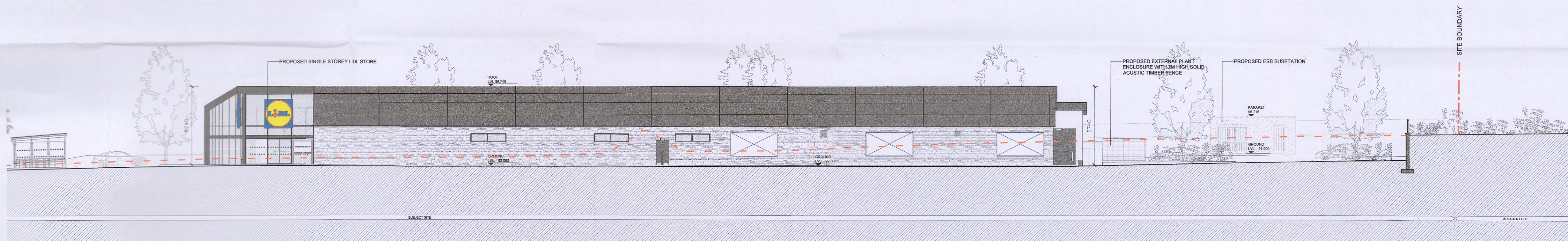


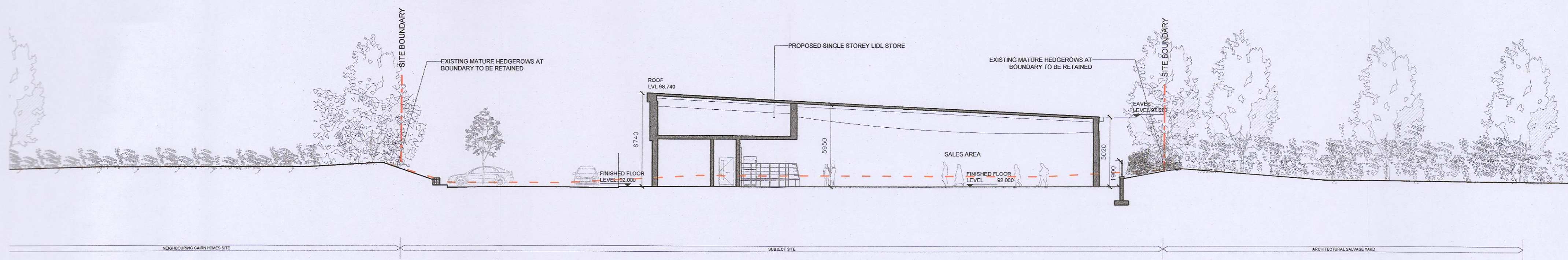
01 Proposed Site Contextual Elevation 01
PA 200 1:200



02 Proposed Site Section AA (Part 1 of 2)
PA 200 1:200



03 Proposed Site Section AA (Part 2 of 2)
PA 200 1:200

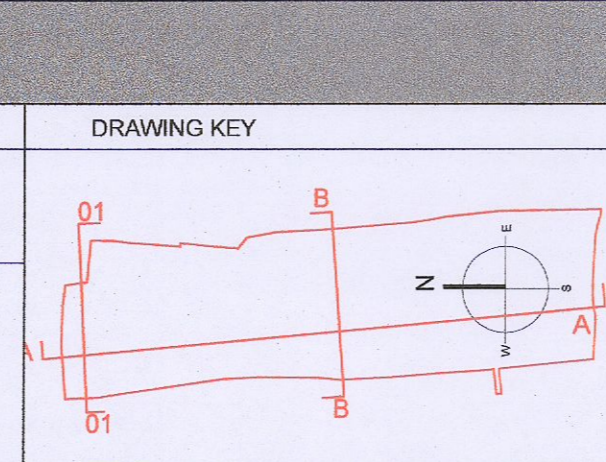
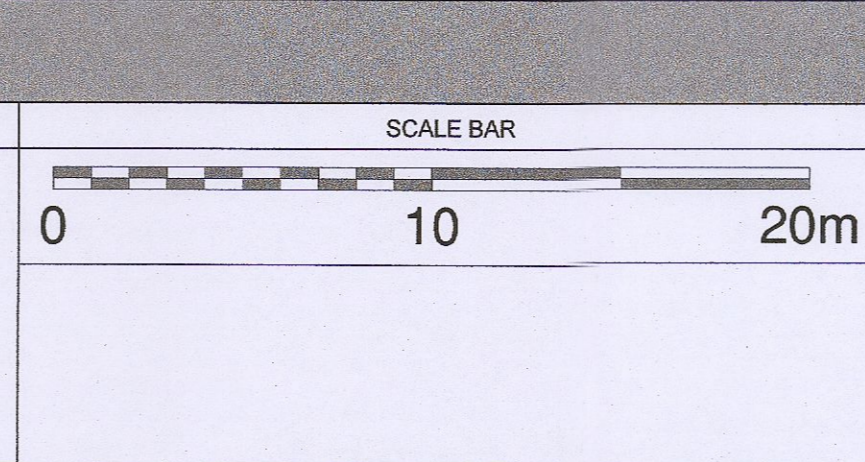


04 Proposed Site Section BB
PA 200 1:200

NOTES:
Do not scale from this drawing.
Any discrepancies found on site to be reported to Darmody Architects immediately.
Any discrepancies found on drawings to be reported to Darmody Architects immediately.
Refer to engineers drawings for structural details.
All dimensions sized to blockwork.

Rev.	Description	Date	Initials

DRAWING KEY	



creative innovative flexible

darmody
architecture

91 Townsend Street, Dublin 2
353 1 672 9907
info@darmodyarchitecture.com
darmodyarchitecture.com

Rev. No.	Scale	Date	Drn. By	Chkd. By	Issue
	1:200 @ A1	11/05/2022	Kevin Barry	Alan Ryan	PLANNING

Project	Proposed Lidl Store at Newcastle, Co. Dublin		
Title	Proposed Site Contextual Elevation and Site Sections		
Client	Lidl Ireland GmbH		
Dwg. No.	PA-200	Job No.	22013