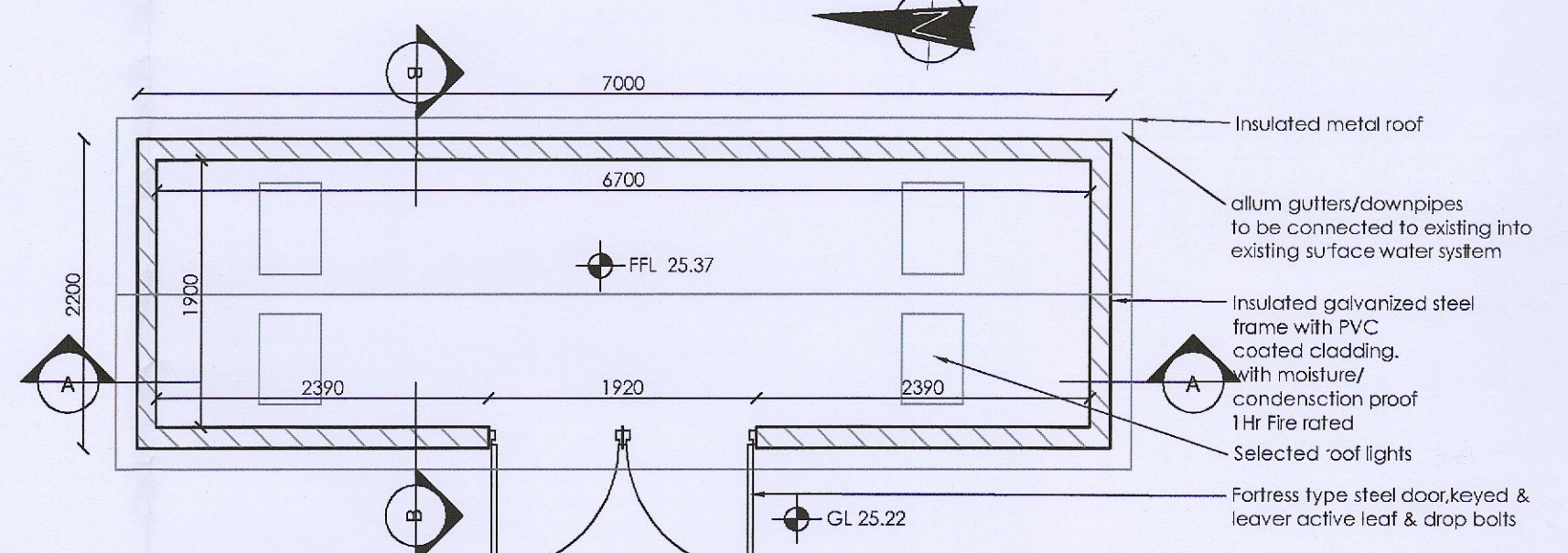
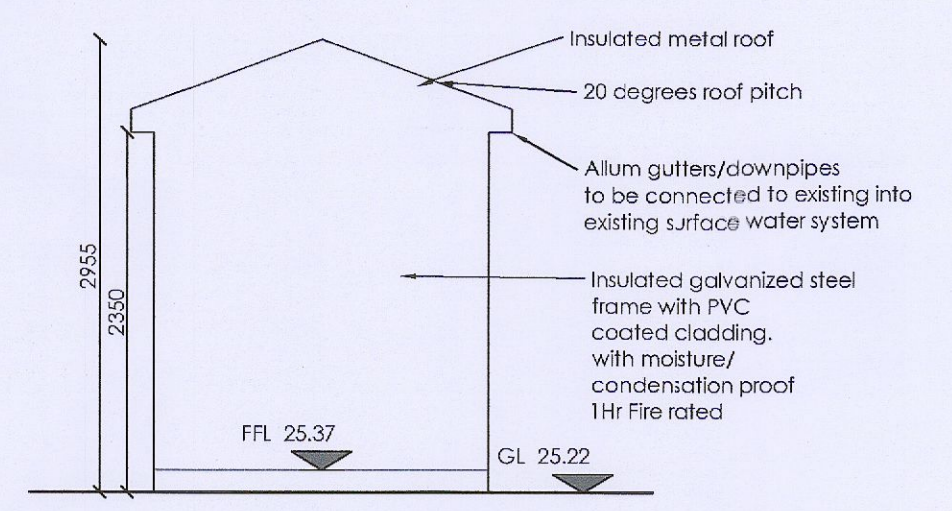
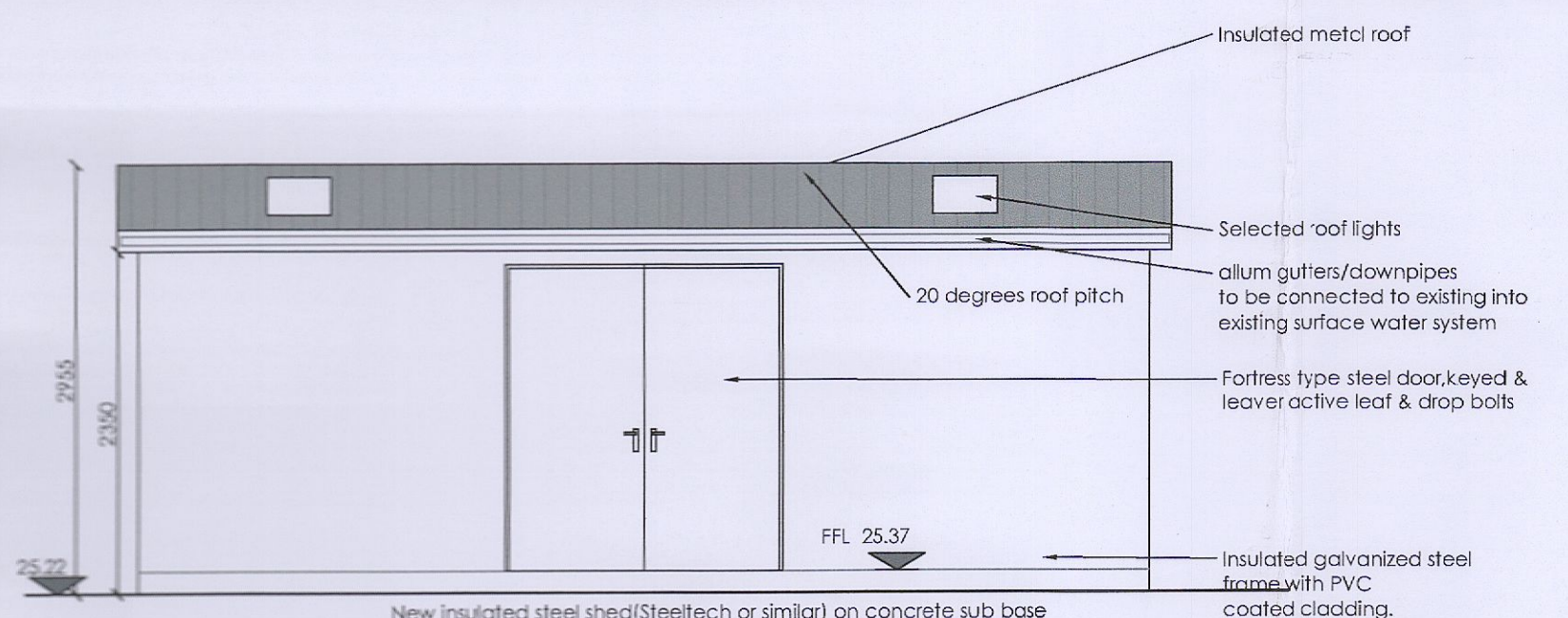
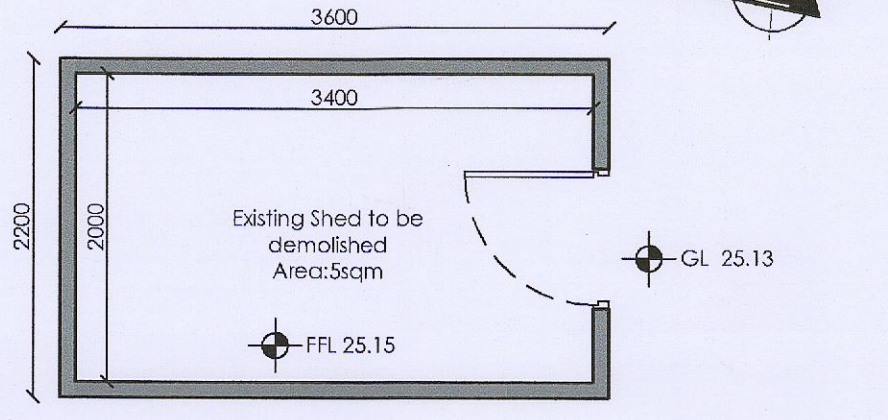
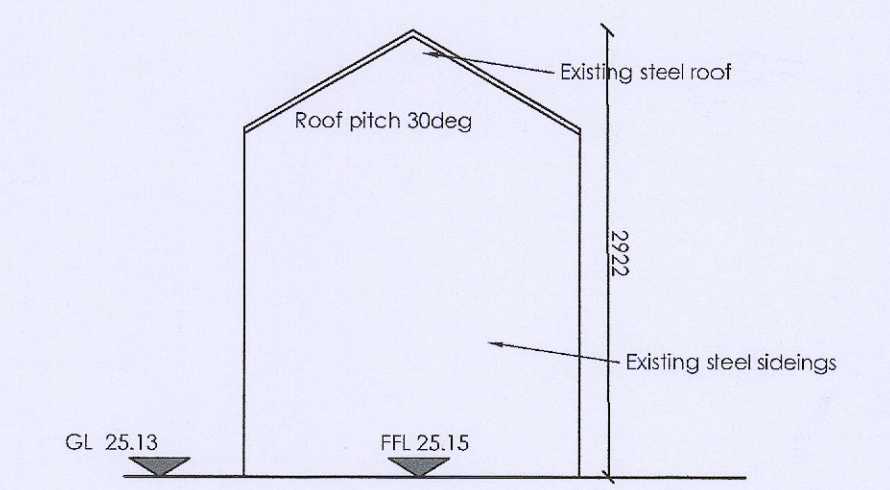
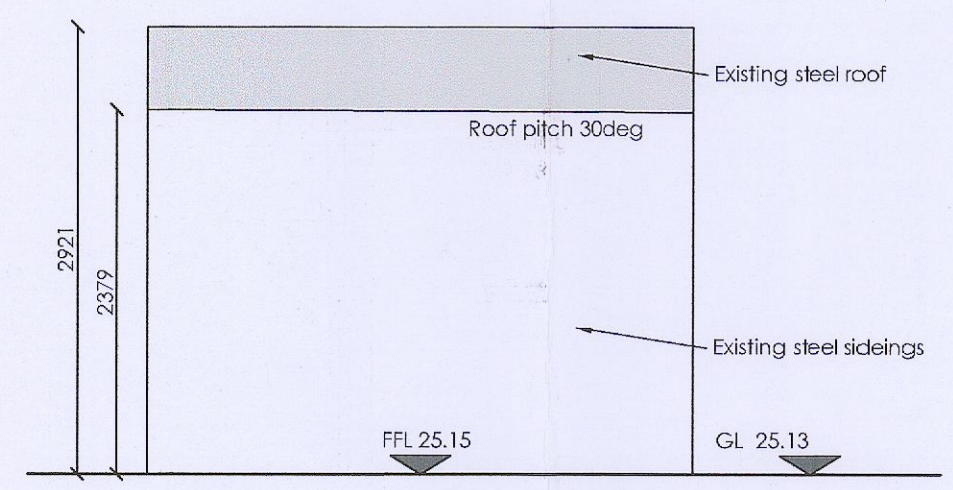
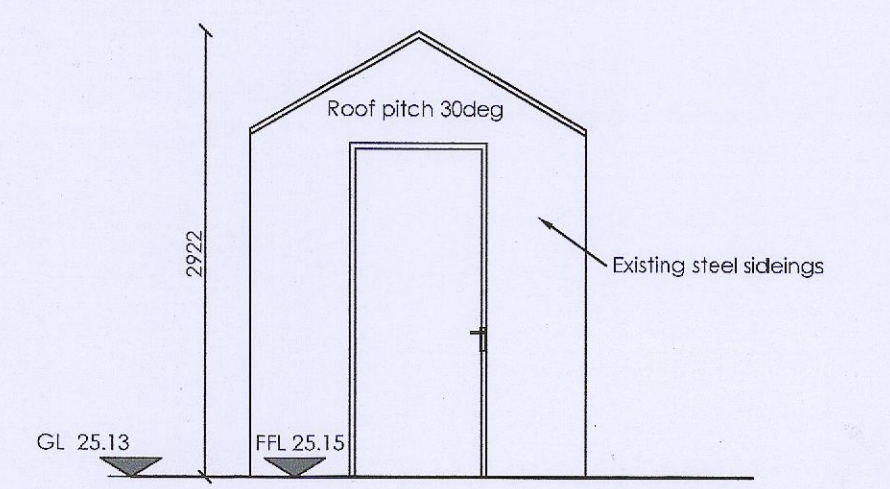
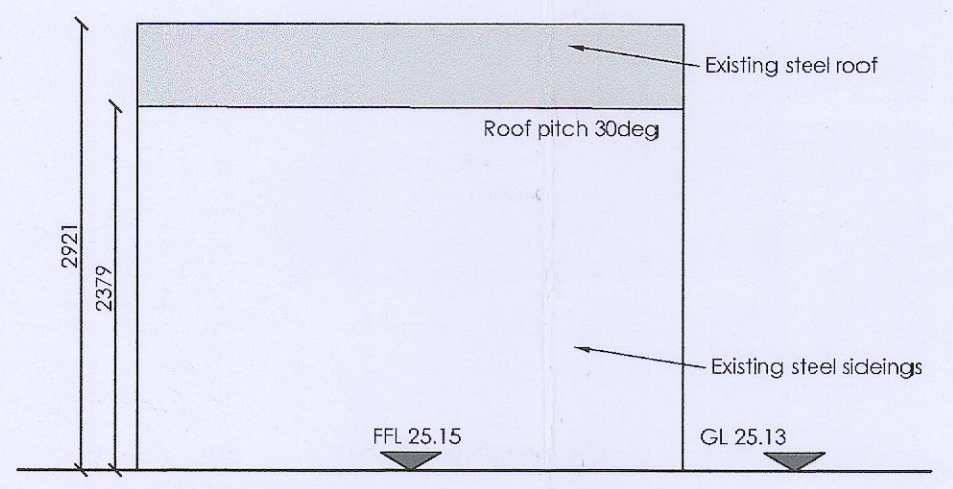


Outline Shed Specification (Steeltech or similar)

Roof
 EPDM roof covering on 18mm OSB3 Board on 40mm PIR Insulation on 2 x 150mm rockwool over airtight membrane on 50x25 FACO timber batten on 9mm MGO board

Walls
 9mm MGO with plastic T Trims covering board joints
 18mm x 50mm WBP (Air void)
 Airtight membrane
 125mm PIR Insulation
 100 x 35 mm C24 Frame (or approved)
 on 9mm OSB3
 Airtight membrane
 on 18x50mm WBP (Air Void)
 on Bonded Plastic Steel Sheet on Multi Pro X Board with Plastic Wrapped T Section Trims
 Covering the Board Joints allow 2 No 100mm dia wall vents

Floor
 18mm OSB3 Board on SFI1+ Superfall Insulation on 200mm Rockwool Insulation 132 x 40 x 2.36 floor joist Breather Membrane



NOTES:

OSI Map Sheets: 3194-25

Site outlined in **RED**
 AREA 1240sqm 0.124ha

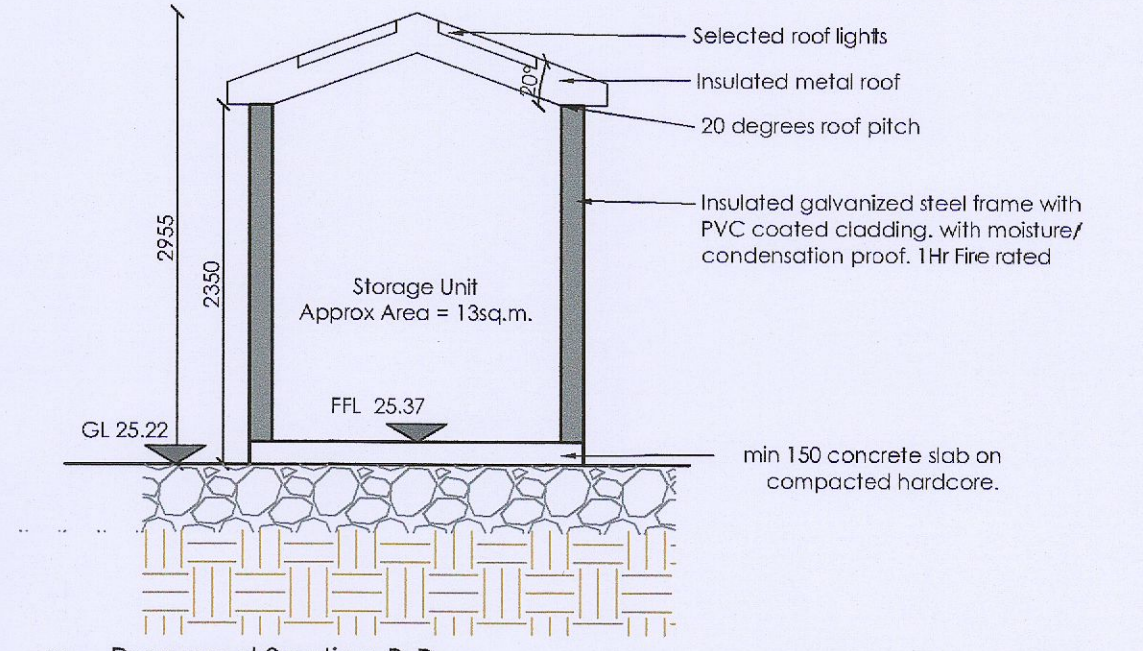
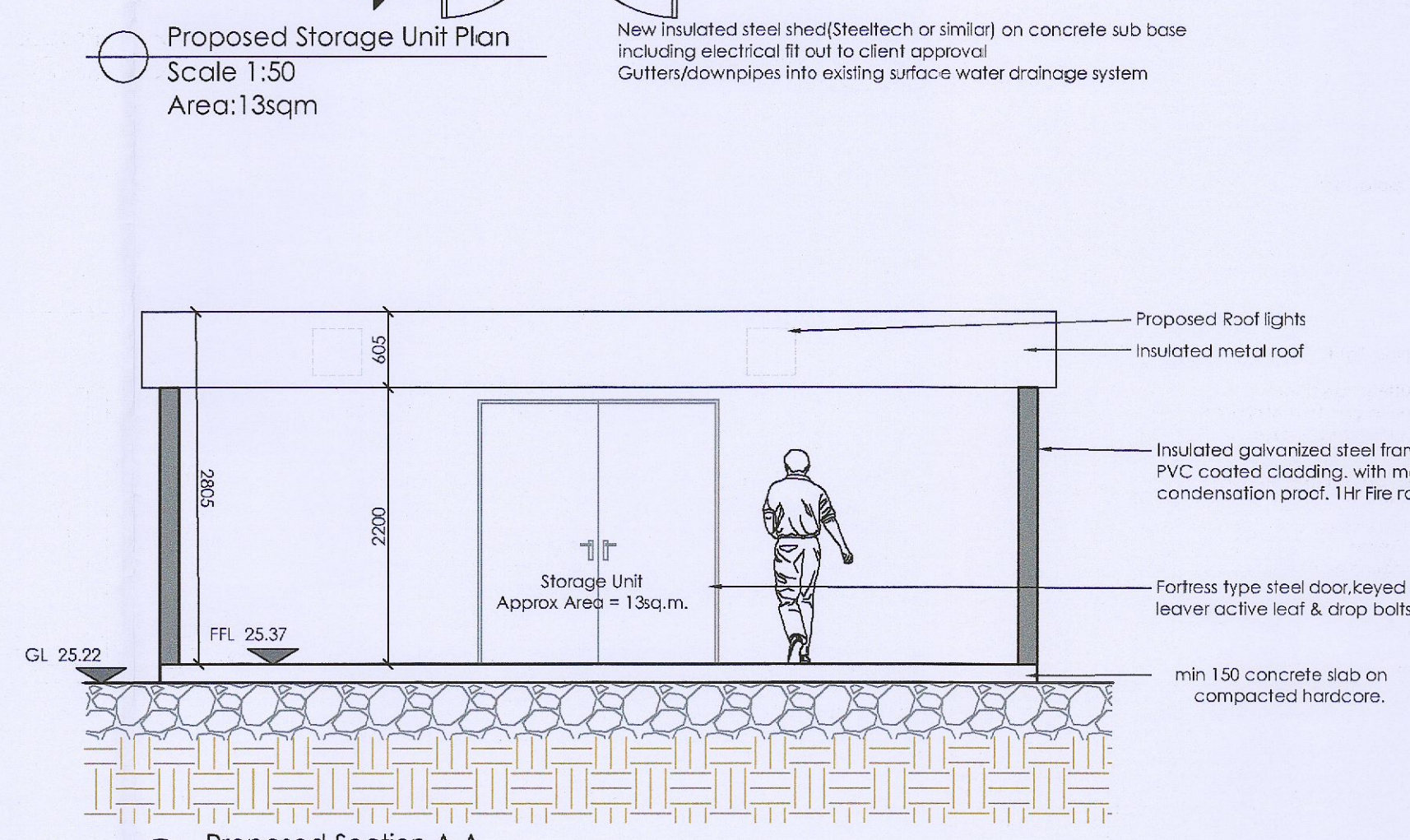
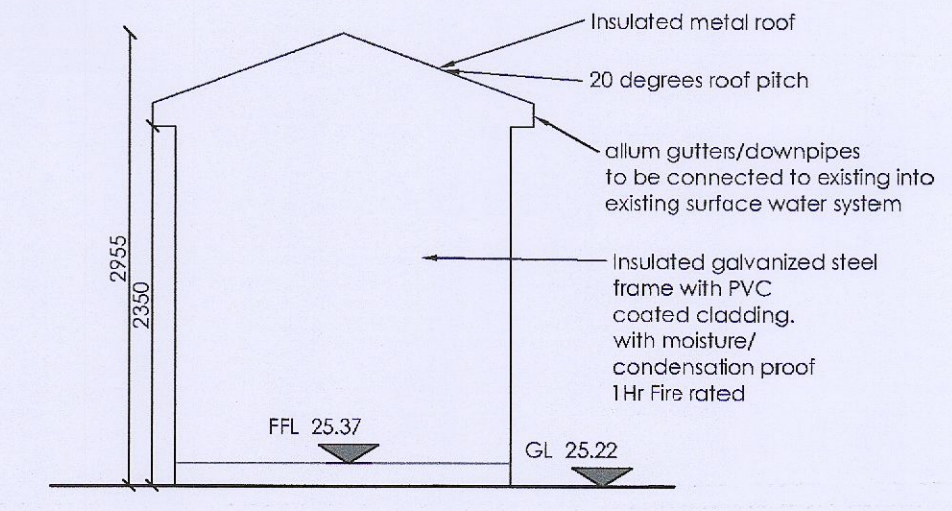
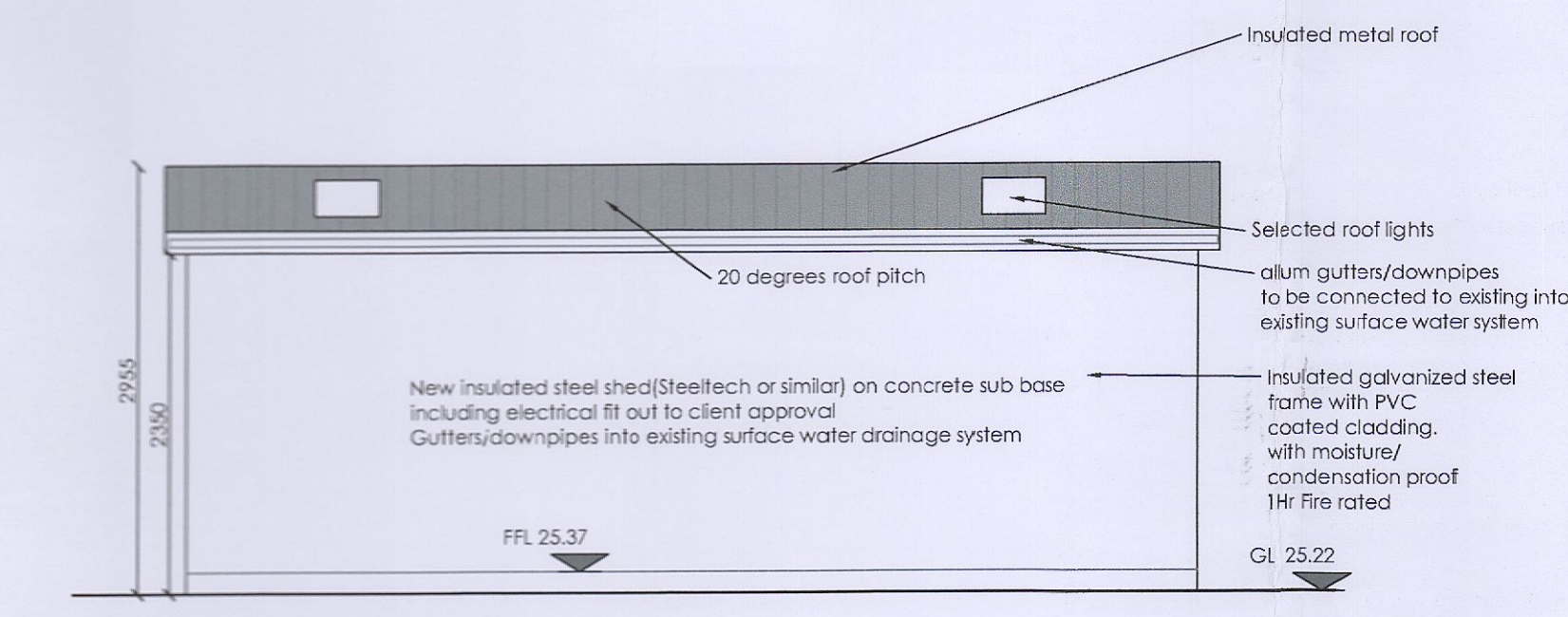
All lands in ownership of applicant at this location outlined in **BLUE**

Existing Structure

Proposed Works

Works to be demolished

Proposed Works area to which this application relates outlined in **GREEN**



NOTES:

This drawing is copyright and may not be copied or altered without permission. Use only figured dimensions. Do not scale this drawing. The contractor is responsible for checking all dimensions on site prior to construction. The Architects are to be notified of any discrepancies prior to work commencing. Levels and contours, shown on drawings, are relative to local datum unless specified

REVISION:	DATE:	DESCRIPTION:	INITIAL:	REVISION:	DATE:	DESCRIPTION:	INITIAL:

Health Service Executive
 Proposed Storage Unit To The Side of Existing Health Centre
 Lucan Health Centre, Sarsfield Park, Lucan, Co. Dublin, K78 D2E0

Proposed Storage Unit Plans, Elevations and Sections

22567-PLA-000
 As Shown
 20-10-2022

SWEENEY architects

22567-PLA-000