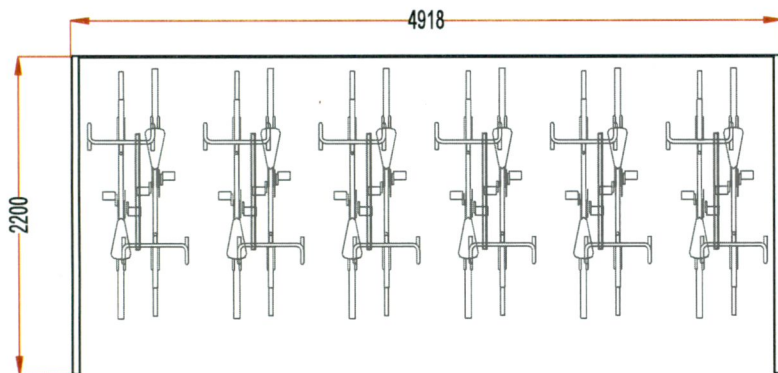
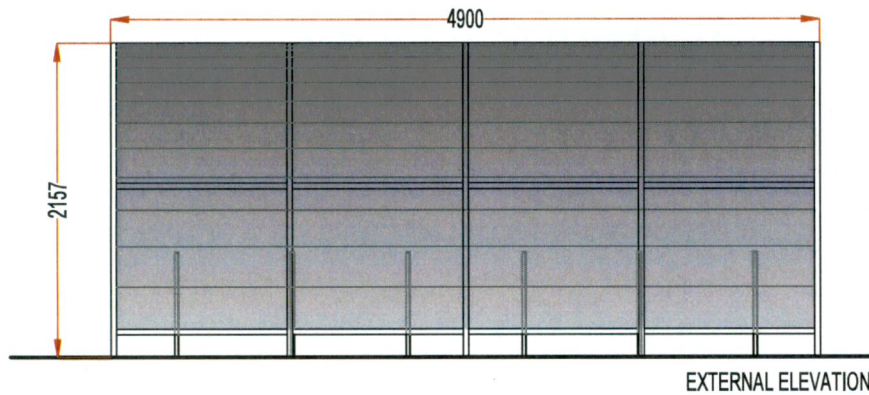
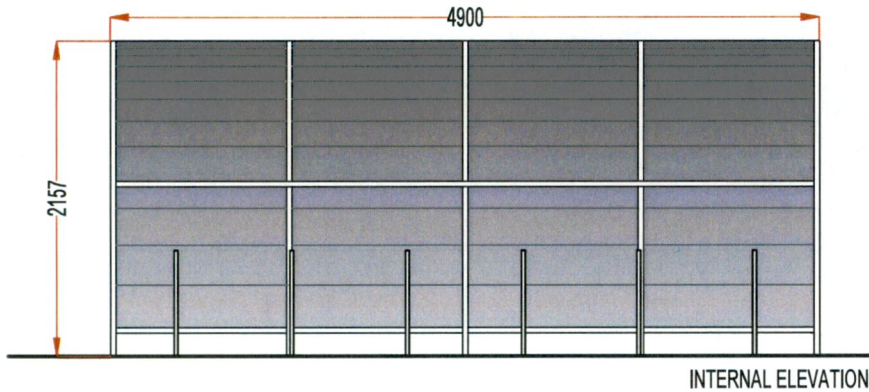
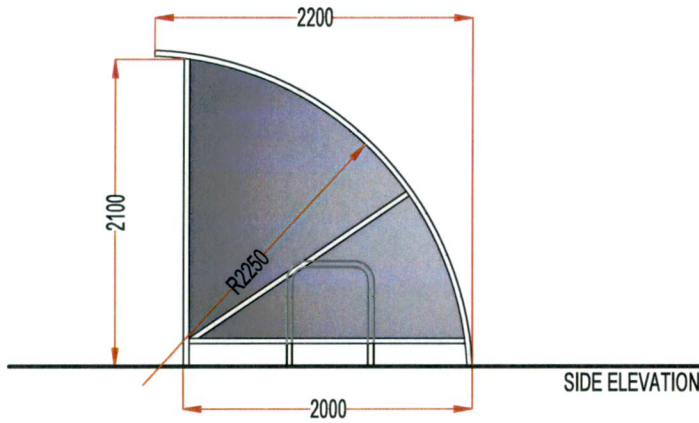


A4



PERMITTED DRAWING  
 (PROVIDED FOR RECORD  
 PURPOSES ONLY)  
 SDCC GRANTED PLANNING  
 REGISTER  
 REFERENCE No. SD22A/0092

Job Title  
 DEVELOPMENT AT SITE C,  
 COLLEGE LANE, GREENOGUE  
 RATHCOOLE, Co. DUBLIN

Architect/Client  
 JORDANSTOWN PROPERTIES LTD

Drawing Title  
 COVERED BIKE PARK

Drawing Status  
 PLANNING ALTERATION (PROPOSED)

Drawn  
 TK

Checked  
 PK

Approved  
 PK

Scales  
 1:50 @A4

Date  
 MARCH 2022

**KAVANAGH BURKE**  
 CONSULTING ENGINEERS

Tel. 01 - 450 0694  
 Fax. 01 - 426 4340  
 Email: pkavanagh@kavanaghburke.ie

Unit F3, Calmount Park,  
 Ballymount,  
 Dublin 12

Job No.  
 D1658

Drawing No.  
 GA-A10

Rev.  
 PL6