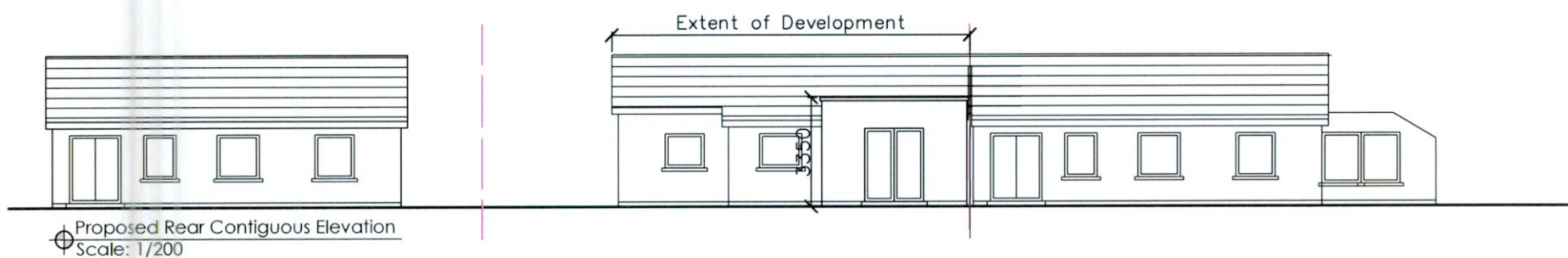
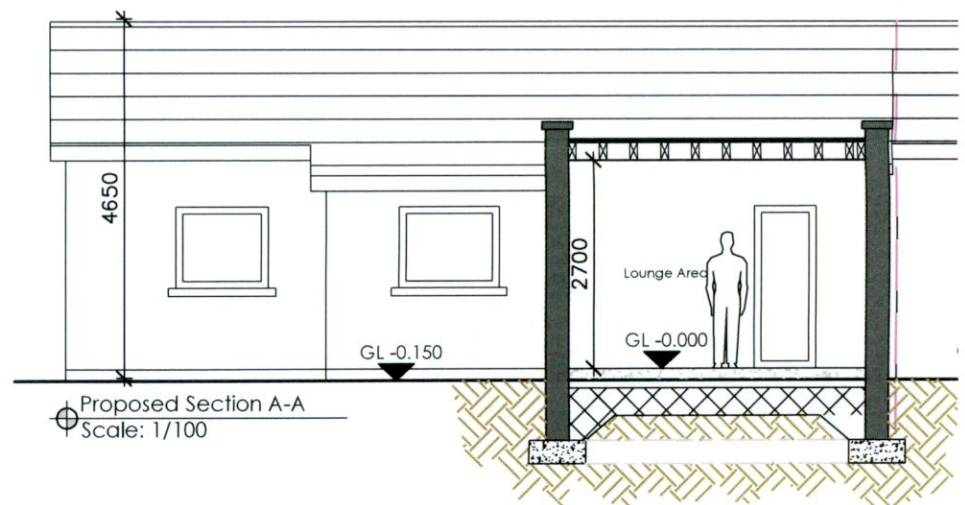
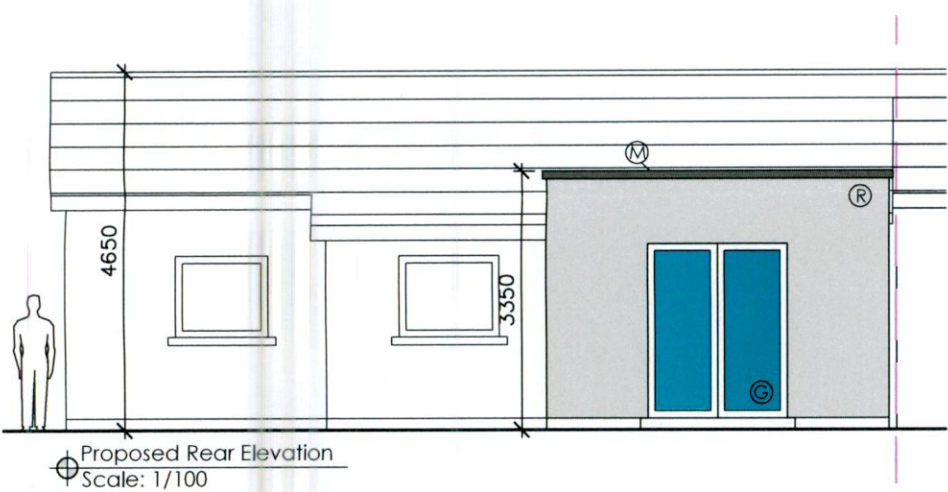
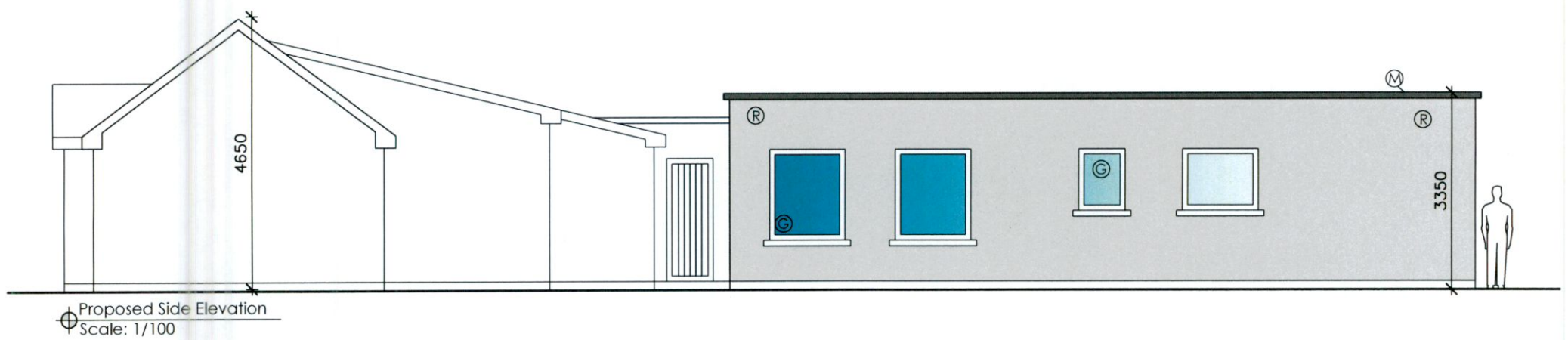
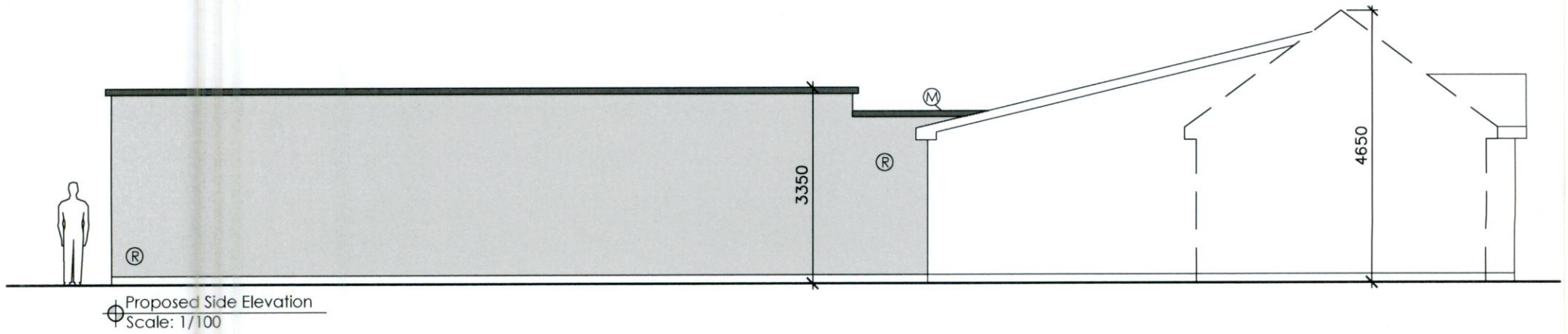
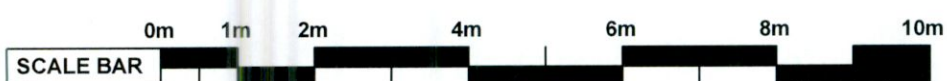


All Drawings are to be read in Conjunction with Tender Spec. and along with Engineers Detail and Spec. A sizes to be checked on Site by Contractor, All Building to be carried out to current BUILDING REGULATION



T - New Tiles to match existing
G - New Glazing to match existing
V - New Velux Rooflights
R - Render to match existing
P - Concrete Parapet Area
M - Metal Clad Finish



planning application only

Project Title:
New Extension to rear

Drawing No: PA- 000002

Client:
Castle Cottage, Lucan Road,
Palmerstown, Dublin 20.

Scale:
As Shown

Date:
Aug'2022

Job Reference:
Aug 0507