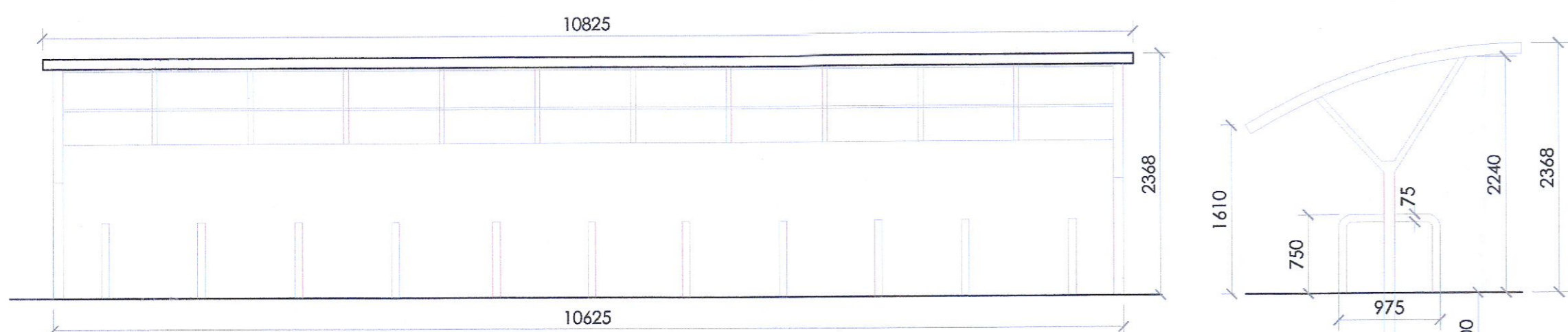


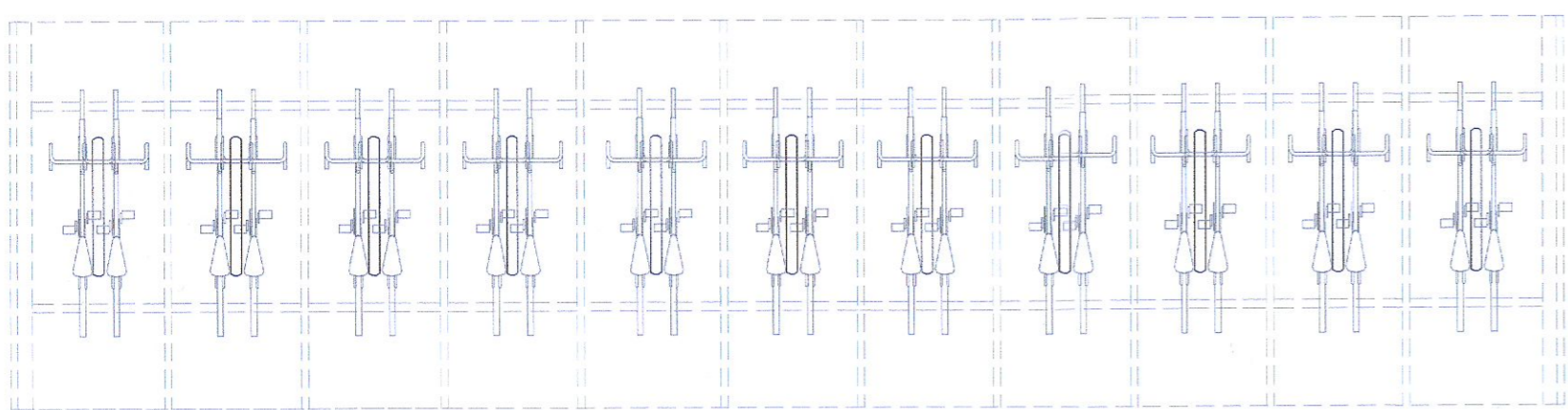
GENERAL NOTES:  
 \*\* Do not scale from this drawing  
 \*\* Use figured dimensions only  
 © This drawing is copyright. No part of this document may be reproduced or transmitted in any form or stored in any retrieval system from the copyright holder, except as agreed for use on a project, for which the document was originally issued.

**PROPOSED BICYCLE STATION 1**



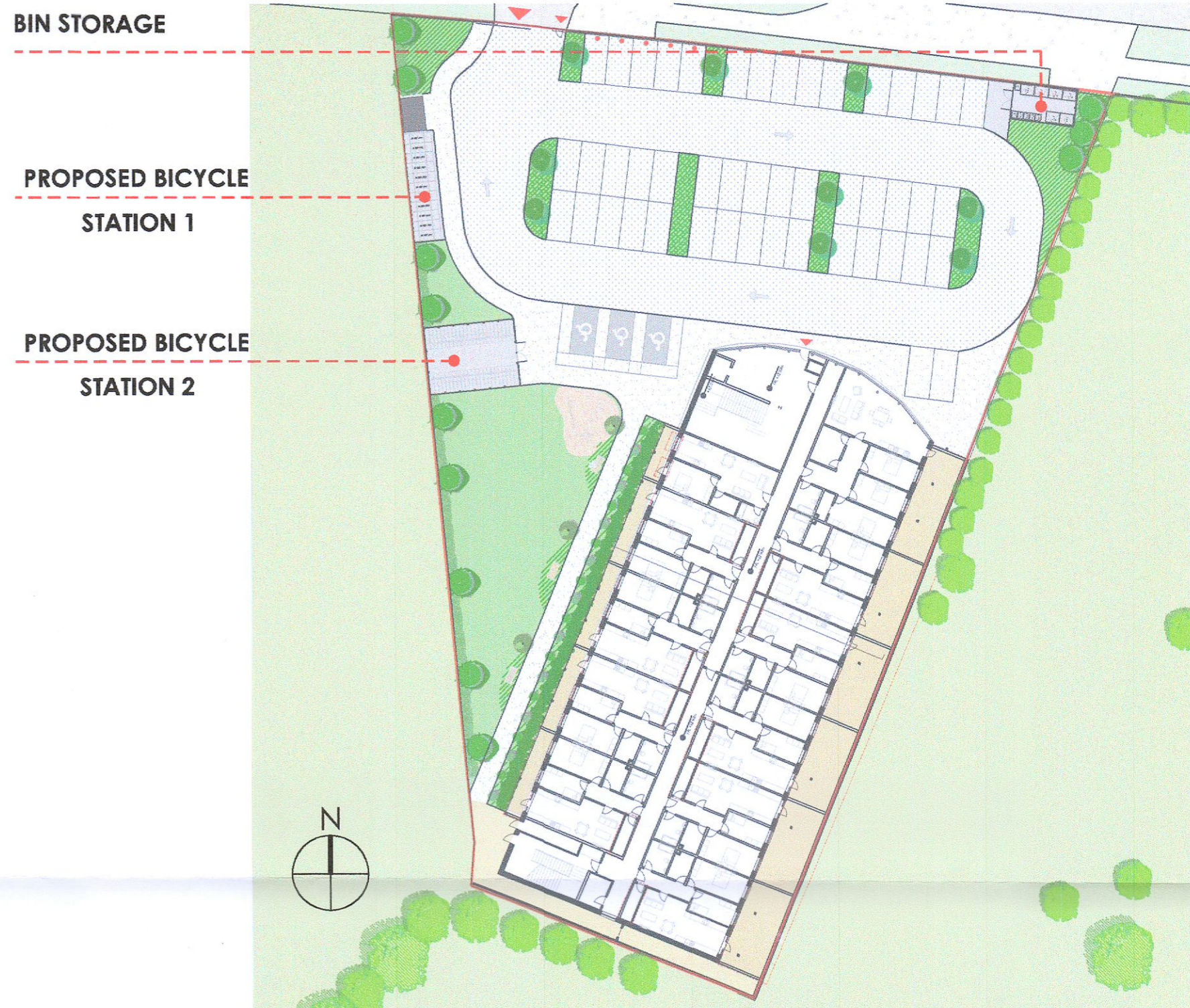
PROPOSED FRONT ELEVATION  
1:50

PROPOSED SIDE ELEVATION  
1:50

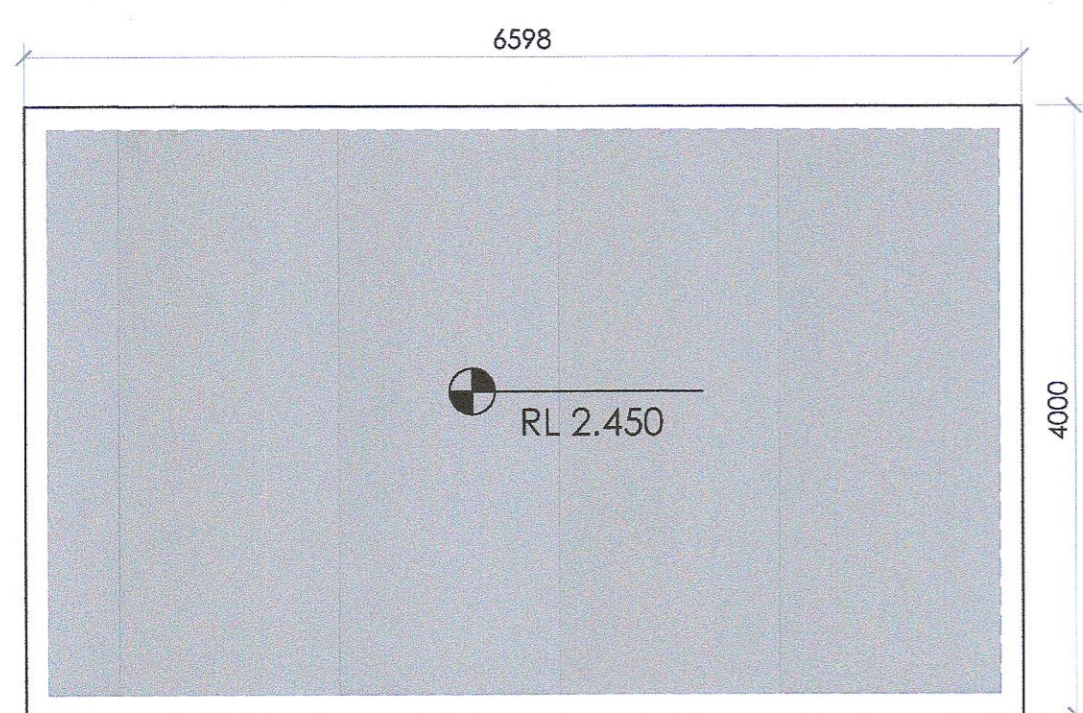


PROPOSED FLOOR PLAN  
1:50

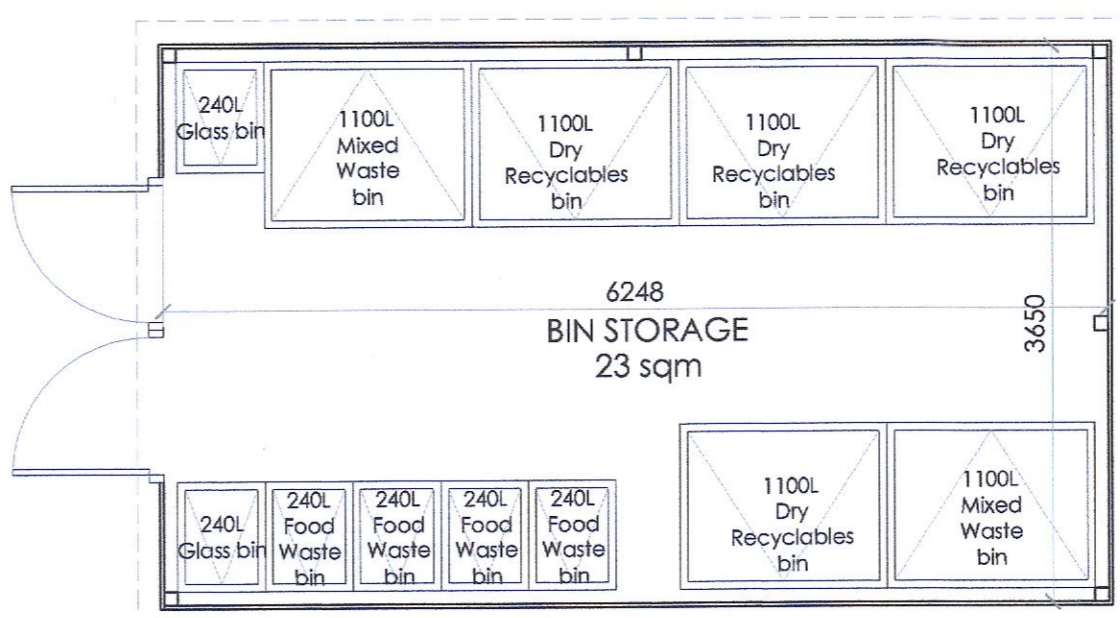
**PROPOSED KEY PLAN**  
1:500



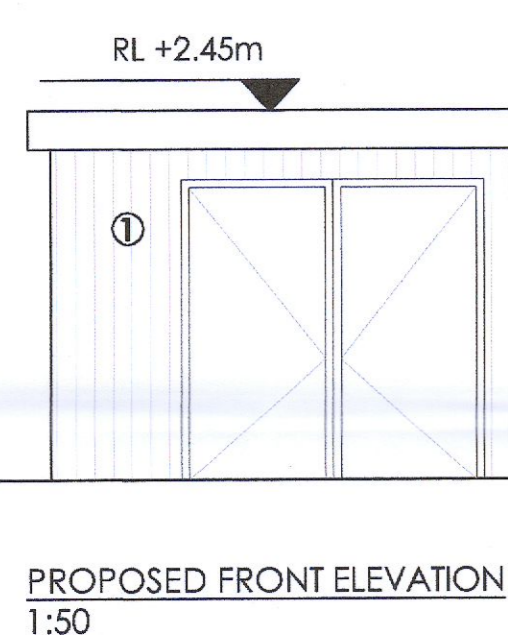
**PROPOSED BIN STORAGE**



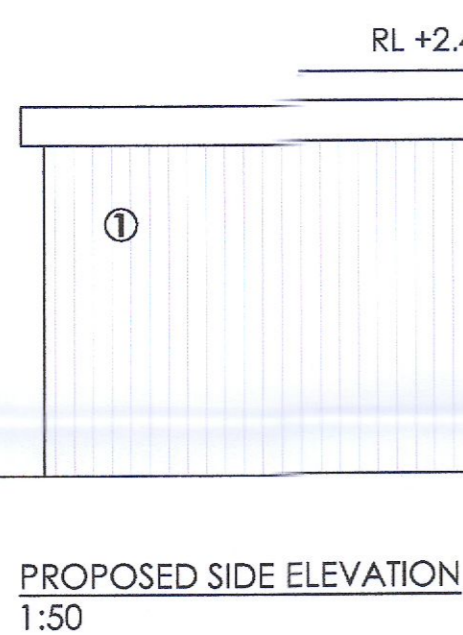
PROPOSED ROOF PLAN  
1:50



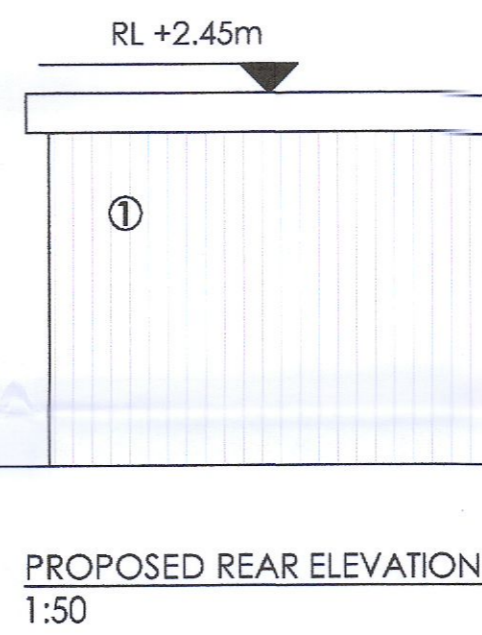
PROPOSED PLAN  
1:50



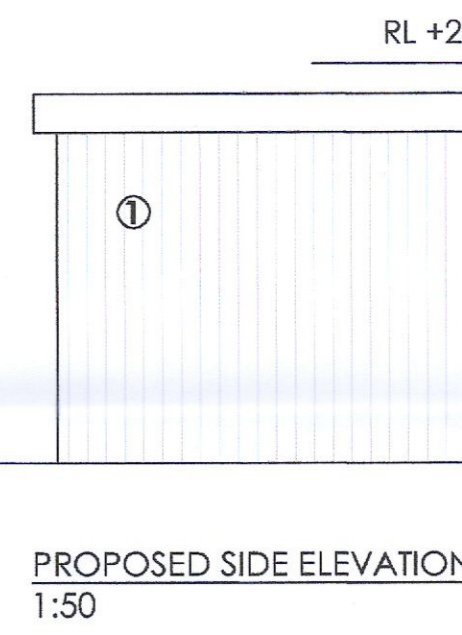
PROPOSED FRONT ELEVATION  
1:50



PROPOSED SIDE ELEVATION  
1:50

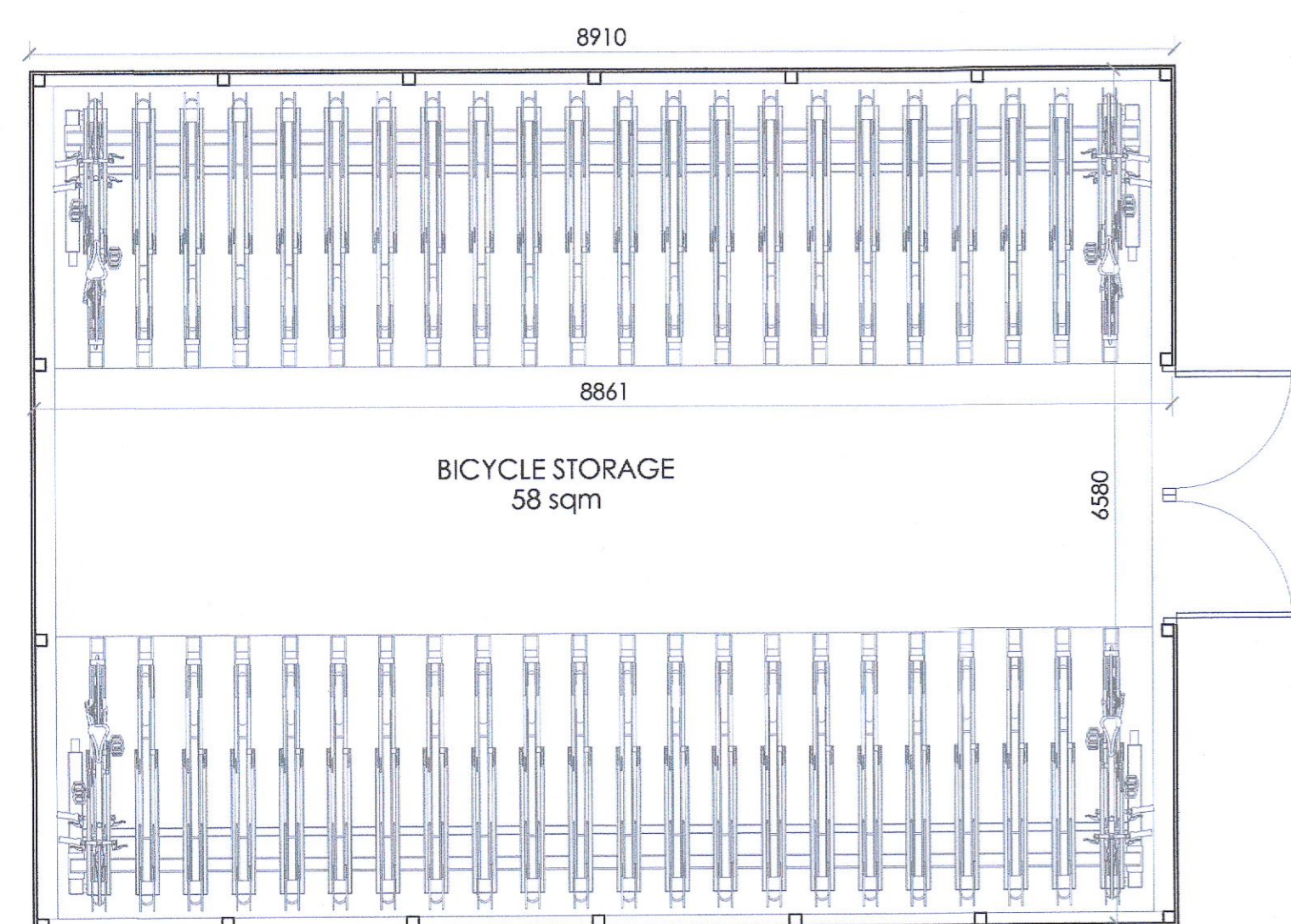


PROPOSED REAR ELEVATION  
1:50

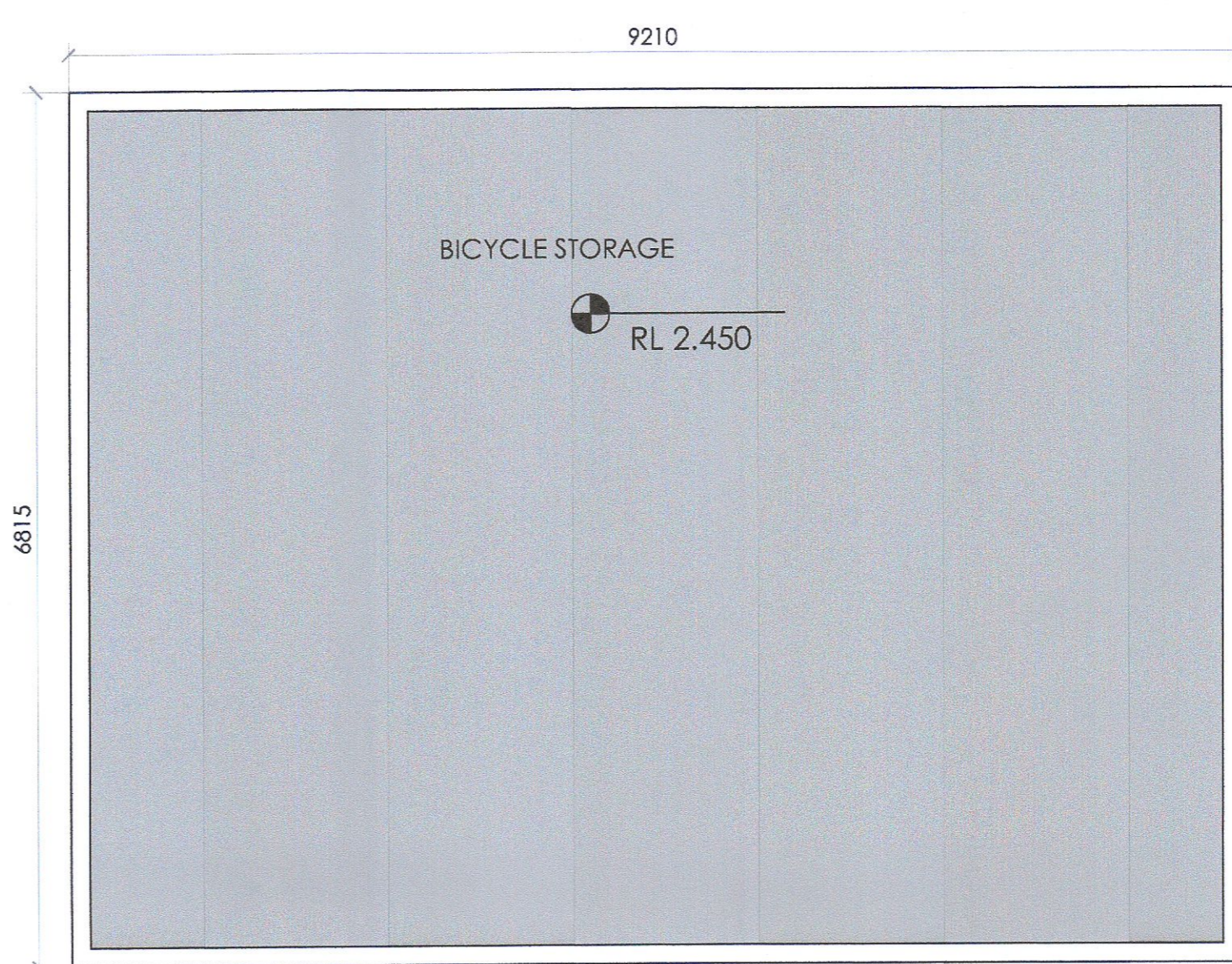


PROPOSED SIDE ELEVATION  
1:50

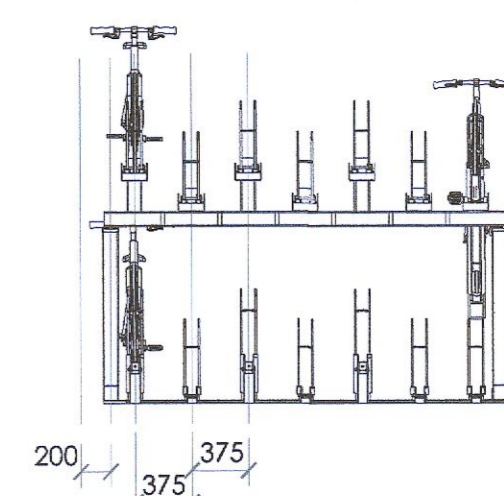
**PROPOSED BICYCLE STATION 2**



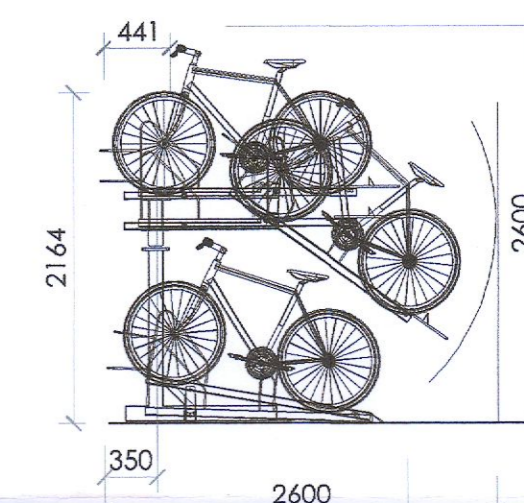
PROPOSED PLAN  
1:50



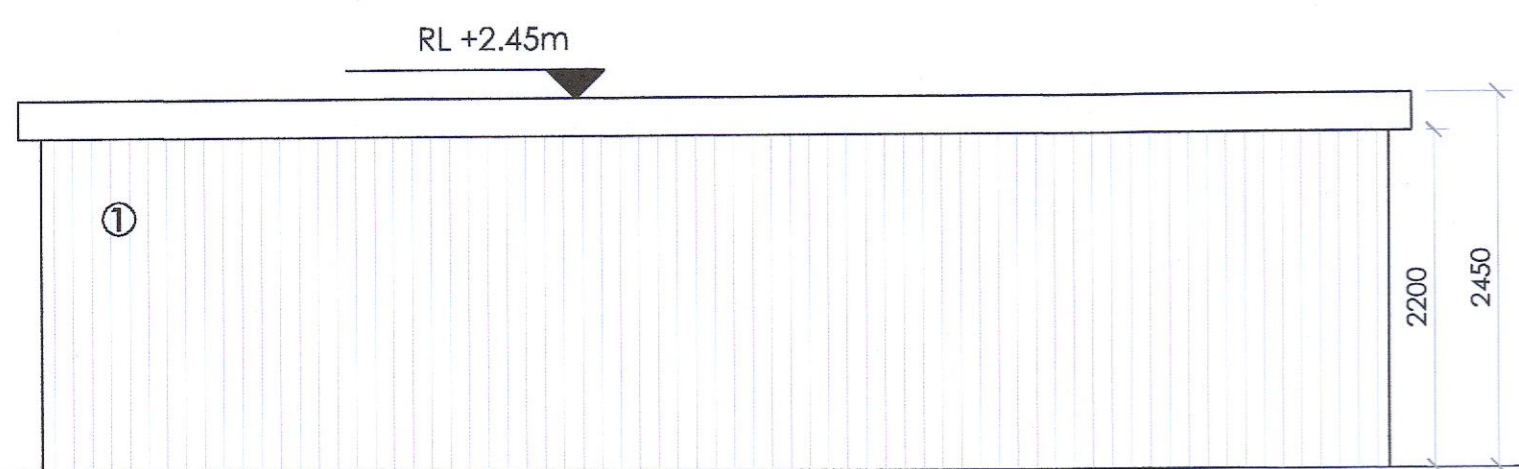
PROPOSED ROOF PLAN  
1:50



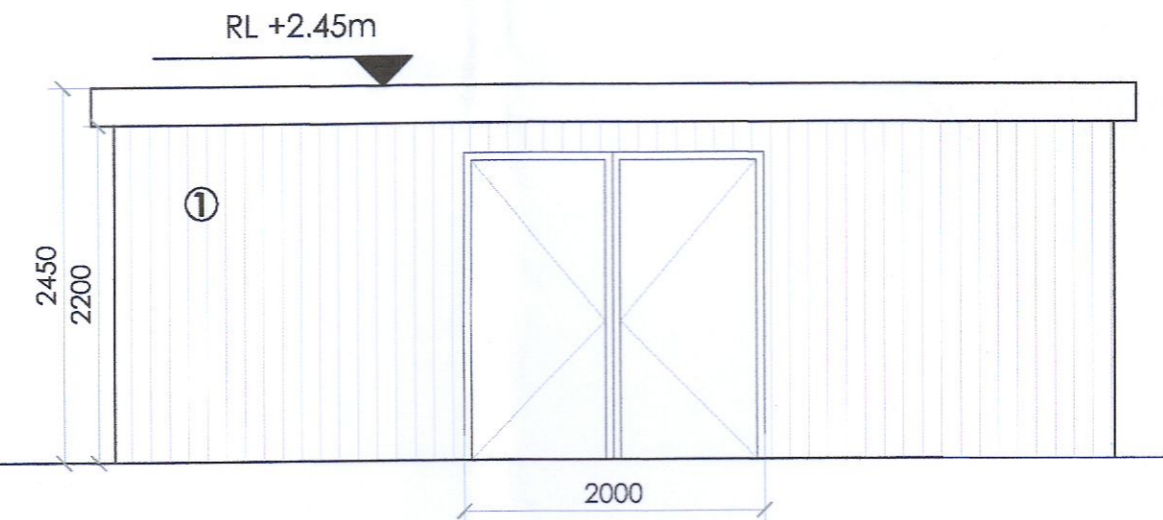
PROPOSED FRONT ELEVATION DETAIL  
1:50



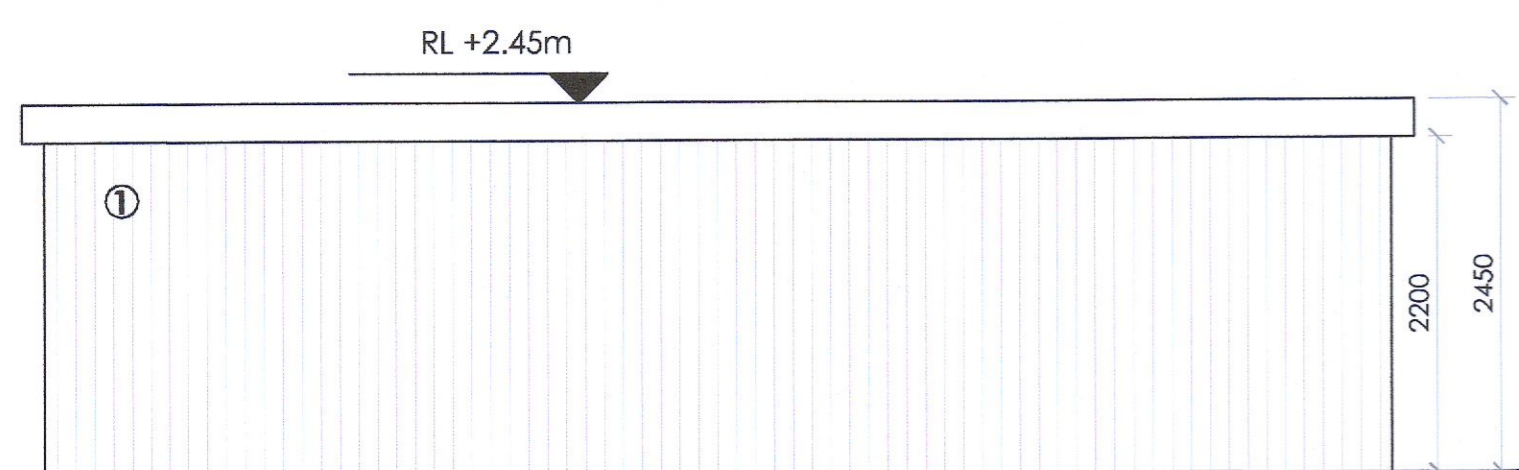
PROPOSED SIDE ELEVATION DETAIL  
1:50



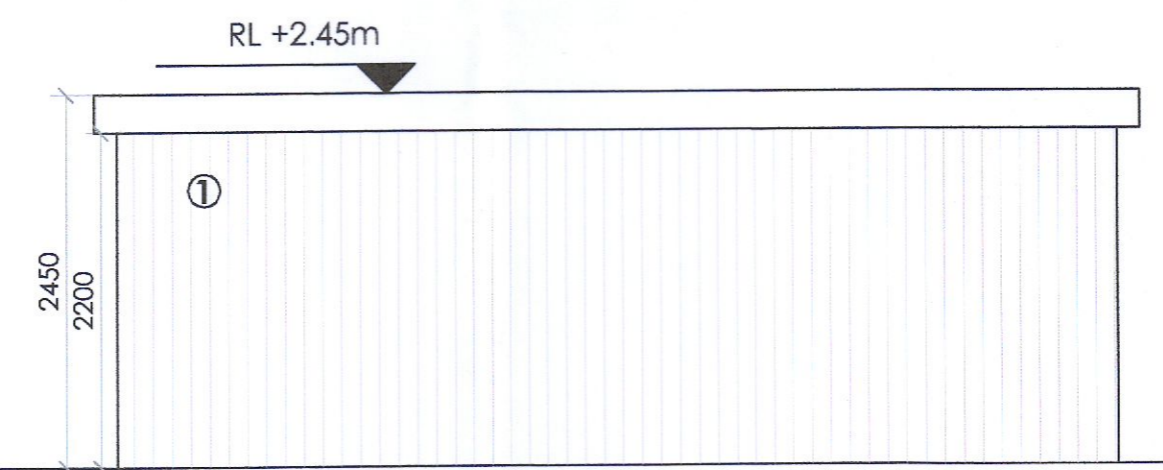
PROPOSED SIDE ELEVATION  
1:50



PROPOSED FRONT ELEVATION  
1:50



PROPOSED SIDE ELEVATION  
1:50



PROPOSED REAR ELEVATION  
1:50

**MATERIALS**

1 - TIMBER

NOTE: All materials to be agreed with local authority by way of compliance.

**PLANNING**

**ha**  
 DESIGN STUDIO

36 Mount Street Upper, Dublin D02 Y982  
 +353 1 524 0709 www.hadsl.ie

CLIENT  
 CAVVIES Ltd.  
 PROJECT  
 RETENTION APPLICATION AT  
 LARKFIELD HOUSE, COLD CUT ROAD  
 CLONDALKIN, DUBLIN 22

DWG. TITLE  
 PROPOSED BICYCLE STATION 1 & 2  
 AND BINS STORAGE

SCALE @ A1: AS SHOWN  
 DRAWN BY: DM  
 CHECKED BY: JH  
 PAPER SIZE: A1  
 JOB NO.: 003-05  
 DATE: 27.10.2022

DWG. NO. PL\_400