

DIAMETER OF LARGEST PIPE IN MANHOLE (mm)	CHAMBER SECTION DIAMETER (mm)
LESS THAN 375	1200 (1050 WHERE DEPTH TO SOFFIT IS 1.35m - 1.5m)
375 - 450	1350
500 - 700	1500
750 - 900	1800

TABLE 1

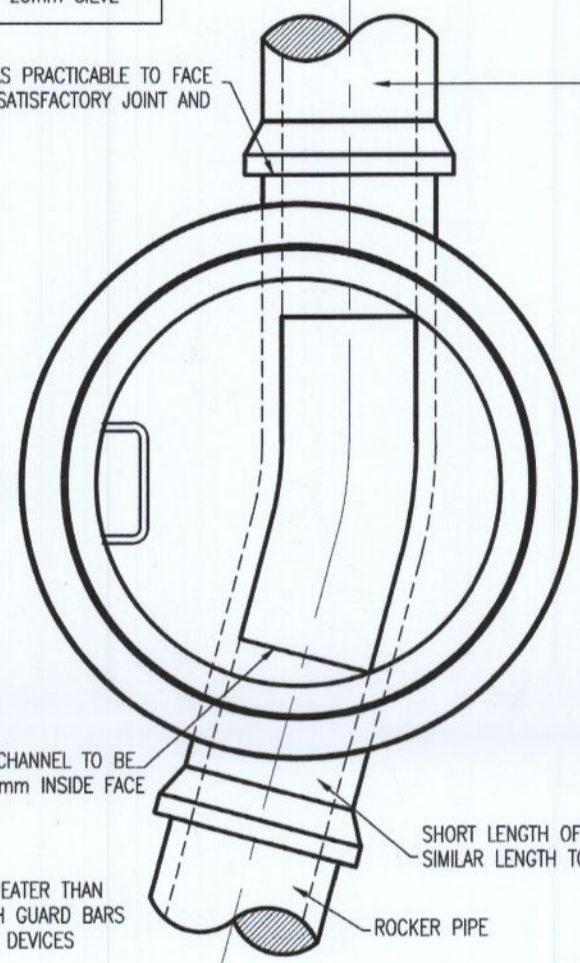
PIPE SIZE	100% PASSING
UP TO 225mm	10mm SIEVE
225 TO 450mm	20mm SIEVE
ABOVE 450mm	25mm SIEVE

THE SAFETY POLICY OF INDIVIDUAL SEWERAGE UNDERTAKERS MAY REQUIRE A LARGER MINIMUM CLEAR OPENING INTO MANHOLES AND THE FITTING OF GUARD BARS, SAFETY CHAINS OR OTHER SAFETY DEVICES IN MANHOLES WITH OUTGOING PIPES OF LESS THAN 600mm DIA

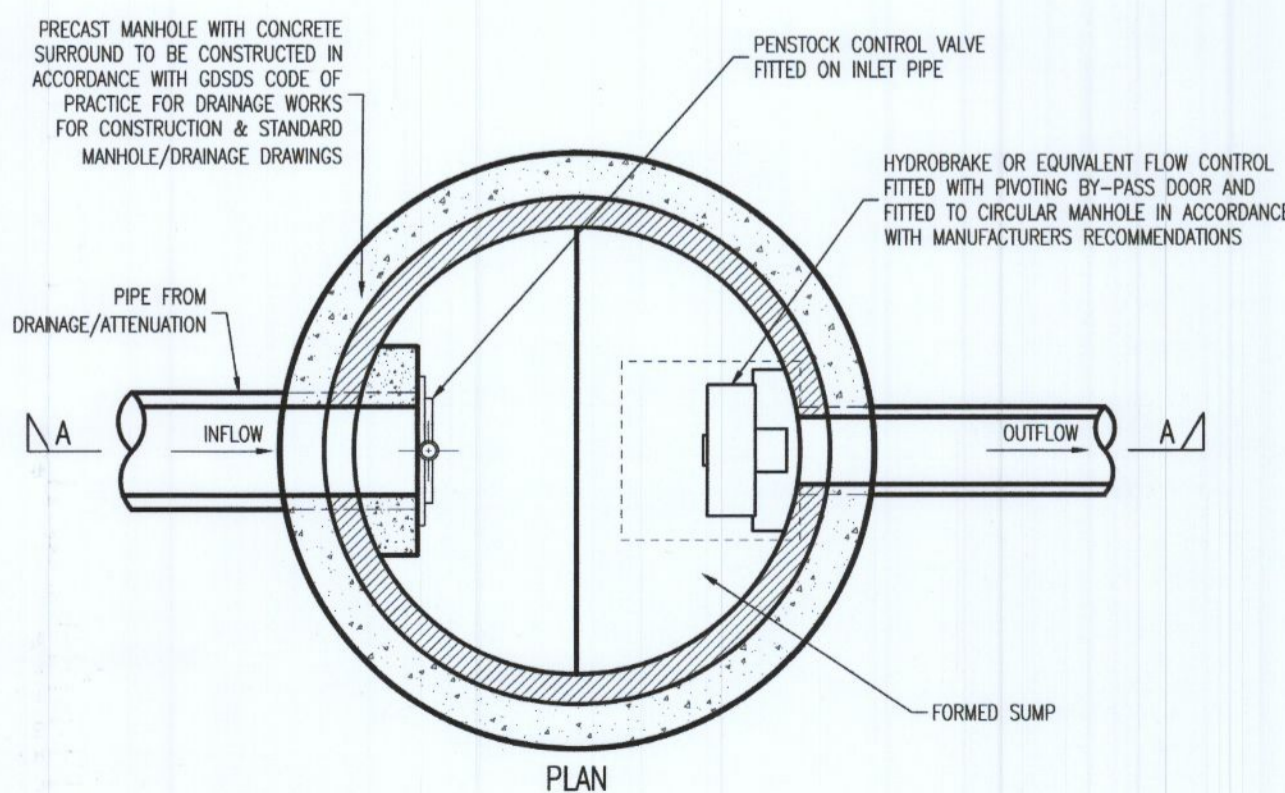
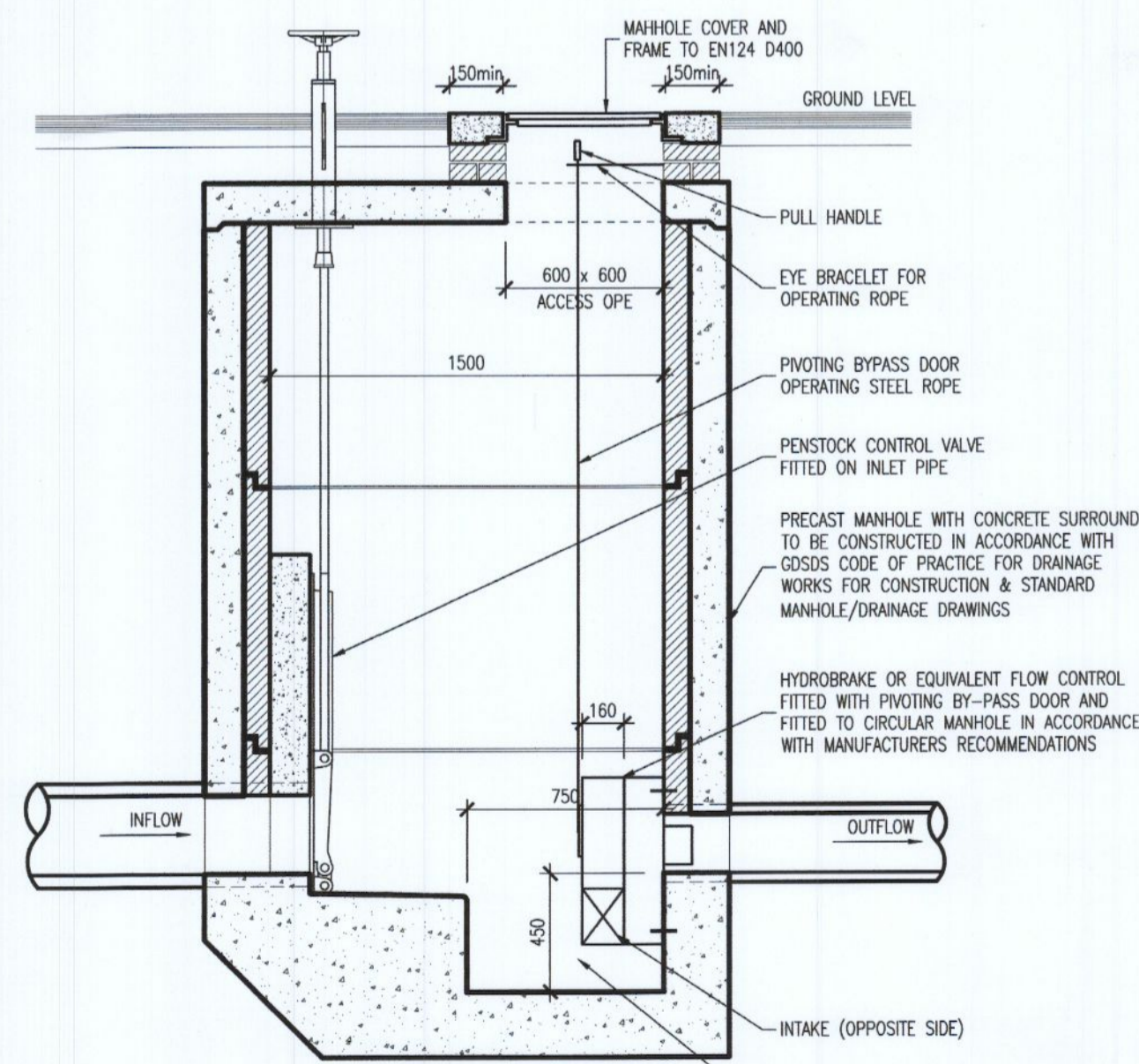
PIPE DIA	ROCKER PIPE LENGTH
150-450	0.5-0.75
451-750	0.75-1.0
750	SEEK GUIDANCE

STANDARD TUMBLING BAY JUNCTION

TOE HOLES TO BE PROVIDED IN BENCHING OF SEWER GREATER THAN 450mm DIA FOR ACCESS TO INVERT

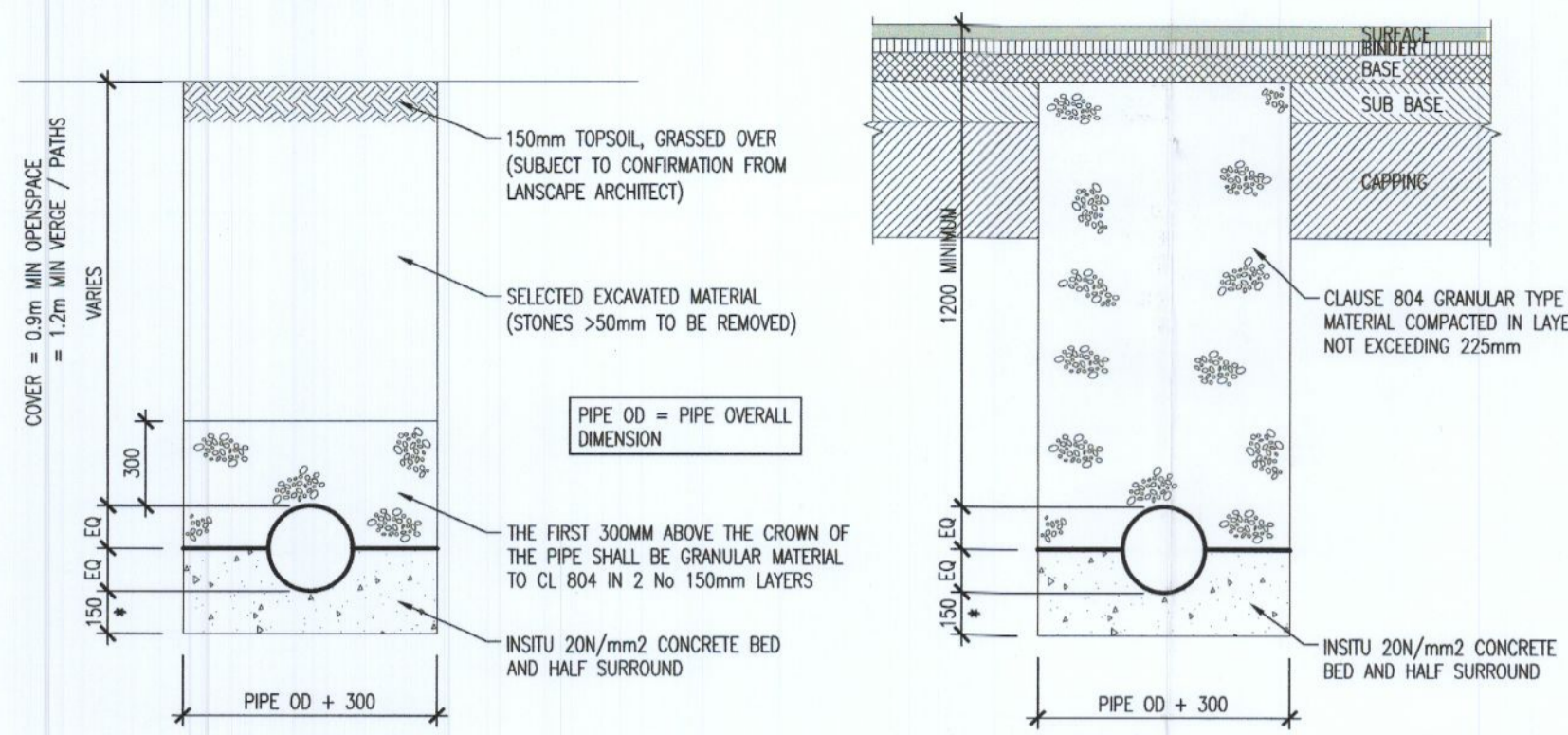


TYPICAL MANHOLE DETAIL - TYPE B
DEPTH TO SOFFIT 1.35 TO 3m
SCALE 1:25



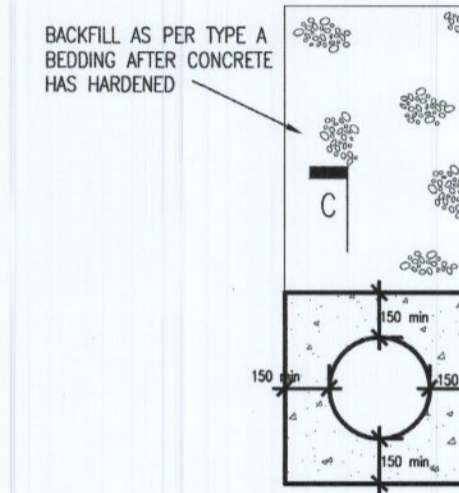
TYPICAL MANHOLE DETAIL - TYPE E
DEPTH TO SOFFIT 1.0 TO 1.35m
SCALE 1:25

TYPICAL MANHOLE DETAIL - TYPE F
DEPTH TO SOFFIT LESS THAN 1.0m
SCALE 1:25

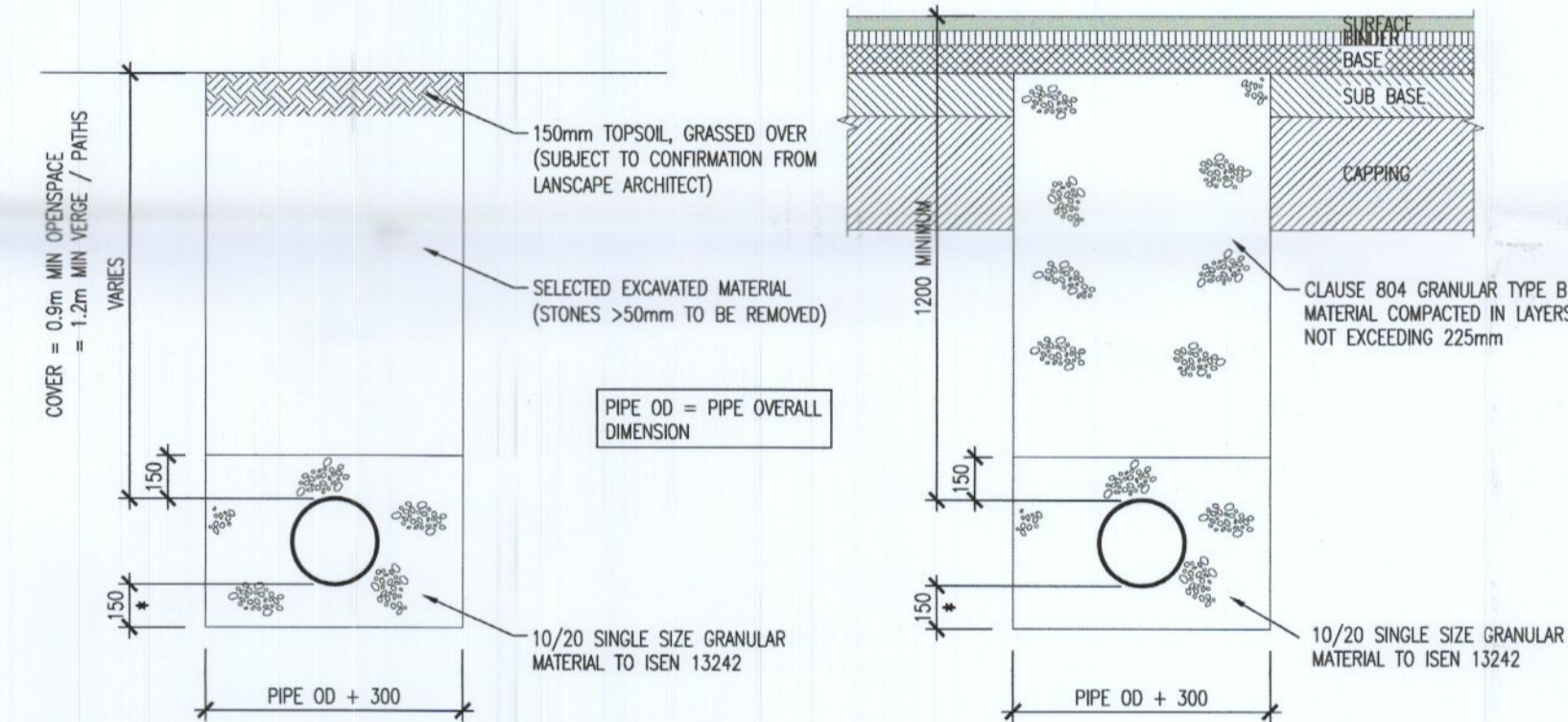


TYPE A
(COVER > 1.2 METRES TO CROWN, RIGID PIPES)
SCALE 1:25

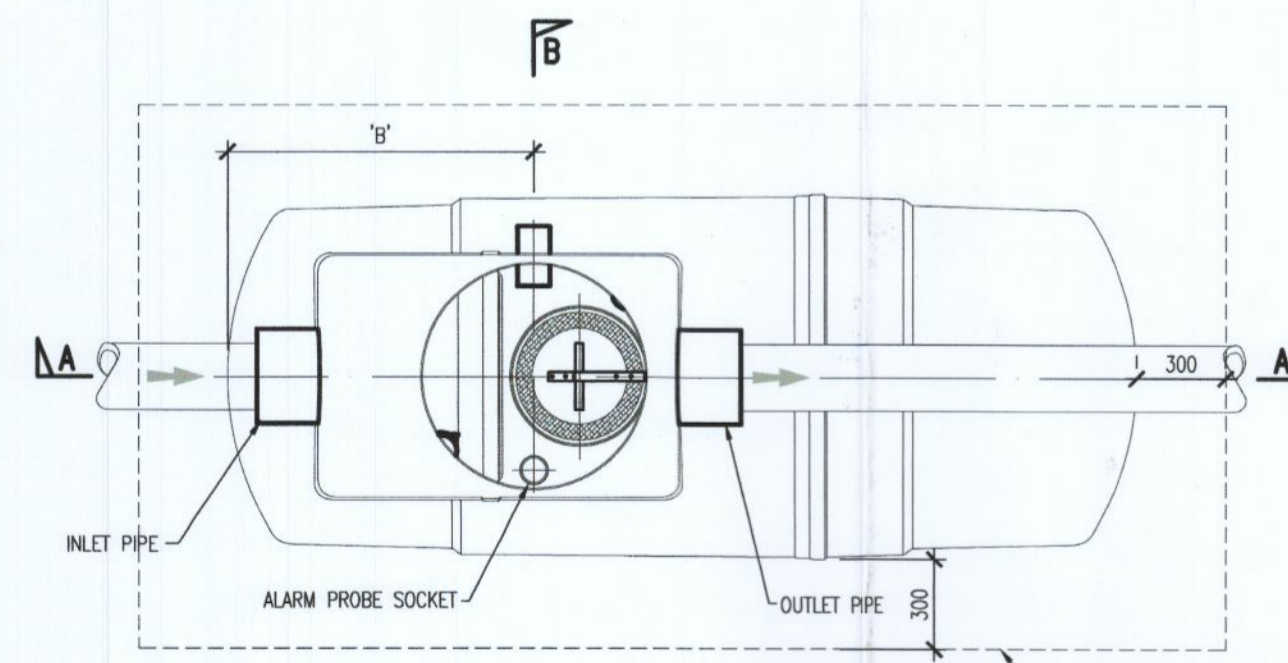
CONCRETE BEDDING TO BE USED WHERE COVER LESS THAN 1.2m AND / OR AS DIRECTED BY THE ENGINEER (REFER TO LONGITUDINAL SECTIONS)



TYPE Z
CONCRETE BEDDING/SURROUND (COVER 750mm - 1200mm)
SCALE 1:25



TYPE S
(COVER > 1.2 METRES TO CROWN, FLEXIBLE PIPES)
SCALE 1:25



UNIT REF No.	NOMINAL FLOW	DM 'A'	DM 'B'	STD. PIPE#	APPROX. EMPTY WEIGHT (KG)	FALL ACROSS UNIT
NSB0003	3 L/S	1765	850	160	145	100
NSB0004	4.5 L/S	1765	850	200	160	100
NSB0006	6 L/S	1765	850	200	160	100
NSB0008	8 L/S	3065	1560	250	210	100
NSB0010	10 L/S	3065	1560	315	210	100
NSB0012	12 L/S	3915	1560	315	240	100
NSB0015	15 L/S	3915	1560	315	240	100

PETROL INTERCEPTOR
SCALE 1:25

LIST OF IRISH WATER WASTEWATER STANDARD DETAILS BROUGHT INTO THE CONTRACT

- STD-WW-02 TYPICAL LAYOUT FOR SEWER WITHIN NEW DEVELOPMENT
- STD-WW-03 DRAIN AND SERVICE CONNECTION PIPEWORK
- STD-WW-04 TYPICAL SEWER/SERVICE PIPE CONNECTION
- STD-WW-05 TYPICAL SERVICE LAYOUT INDICATING SEPARATION DISTANCES
- STD-WW-06 RESTRICTIONS ON TREES/SHRUBS PLANTING ADJACENT TO SEWERS
- STD-WW-07 TRENCH BACKFILL & BEDDING
- STD-WW-08 CONCRETE BED, HAUNCH & SURROUND TO WASTEWATER PIPES
- STD-WW-09 BLOCKWORK MANHOLE (<450mm#)
- STD-WW-10 PRE-CAST CONCRETE MANHOLE
- STD-WW-11 IN-SITU CONCRETE MANHOLE
- STD-WW-12 BACKDROP MANHOLES
- STD-WW-13 PRIVATE SIDE INSPECTION CHAMBER
- STD-WW-14 THRUST BLOCKS FOR RISING MAINS
- STD-WW-15 SCOUR VALVE CHAMBER (FOUL RISING MAIN <200mm#)
- STD-WW-16 SLUICE VALVE DETAILS FOR RISING MAINS DUCTILE IRON (D.I) PIPE (<200mm#)(SHEET 1 OF 2)
- STD-WW-17 SLUICE VALVE DETAILS FOR RISING MAIN POLYETHYLENE (PE) PIPE (<200mm#)(SHEET 2 OF 2)
- STD-WW-18 AIR VALVE CHAMBER (FOUL RISING MAIN <200mm#)
- STD-WW-19 DUCT CHAMBER
- STD-WW-20 EMERGENCY OVERFLOW STRUCTURE
- STD-WW-21 TYPICAL DITCH/STREAM CROSSING FOR GRAVITY MAIN (SHEET 1 OF 2)
- STD-WW-22 TYPICAL DITCH/STREAM CROSSING FOR RISING MAIN (SHEET 2 OF 2)
- STD-WW-23 TYPICAL BRIDGE CROSSING FOR RISING MAIN (SHEET 1 OF 2)
- STD-WW-24 TYPICAL BRIDGE CROSSING FOR RISING MAIN (SHEET 2 OF 2)
- STD-WW-25 SECURITY GATE & FENCING
- STD-WW-26 INDICATIVE PUMPING STATION LAYOUT
- STD-WW-27 FLOW METER CHAMBER (FOUL RISING MAIN <200mm#)
- STD-WW-28 INDICATIVE SUBMERSIBLE PUMPING STATION
- STD-WW-28A INDICATIVE PRE-CAST CONCRETE SUBMERSIBLE PUMPING STATION
- STD-WW-29 RISING MAIN DISCHARGE MANHOLE
- STD-WW-30 KIOSK TYPE 1 PUMPING STATION & WET KIOSK (SHEET 1 OF 2)
- STD-WW-31 KIOSK TYPE 2 + 3 PUMPING STATION & WET KIOSK (SHEET 2 OF 2)
- STD-WW-32 HARDSTANDING AREA PUMPING STATION (PERMEABLE & IMPERMEABLE)
- STD-WW-33 LAMP BOLLARD & LAMP STANDARD
- STD-WW-34 VENT STACK

NOT FOR CONSTRUCTION

NOTES

- ALL WORKS TO COMPLY WITH THE CURRENT BUILDING REGULATIONS, WATER BYELAWS AND LOCAL AUTHORITY REQUIREMENTS.
- ALL SEWERS SHALL BE PRESSURE TESTED PRIOR TO BACKFILLING
- TYPE 1 GRANULAR MATERIAL : BROKEN STONE OR GRAVEL TO PASS 10mm SIEVE AND BE RETAINED ON 5mm SIEVE.
- TYPE 2 GRANULAR MATERIAL : BROKEN STONE OR GRAVEL TO PASS 10mm - 25mm SIEVE, ACCORDING TO PIPE SIZE, (SEE TABLE) AND BE RETAINED ON 5mm SIEVE.
- TYPE 3 SELECTED FILL : UNIFORM READILY COMPACTED MATERIAL FREE FROM TREE ROOTS, VEGETABLE MATTER, BUILDING DEBRIS, AND FROZEN SOIL AND EXCLUDING CLAY LUMPS RETAINED ON A 75mm SIEVE AND STONES RETAINED ON A 37.5mm SIEVE.
- RIGID PIPES SHALL MEAN CAST OR SPUN IRON, CONCRETE OR CLAY.

Rev	Date	Description	By	Chk
P	28/10/22	PLANNING SUBMISSION	SM	SJ

PLANNING

gdcl
CONSULTING ENGINEERS

Scope House, Perrystown, Dublin D12 K8PP
75 Shelton Street, Covent Garden, London WC2H 9JQ
www.gdalyconsulting.com

PROJECT
U-Store-It, Liffey Valley

CLIENT
Oceanglade Ltd

DRAWING TITLE
Typical Construction Details
Sheet 2

dm. by: SM	date: Oct 22	scale: As Shown
drawing size: A1	chk: SJ	app: GD
job no: P2005	dr. no: P2005-C-311	rev: P