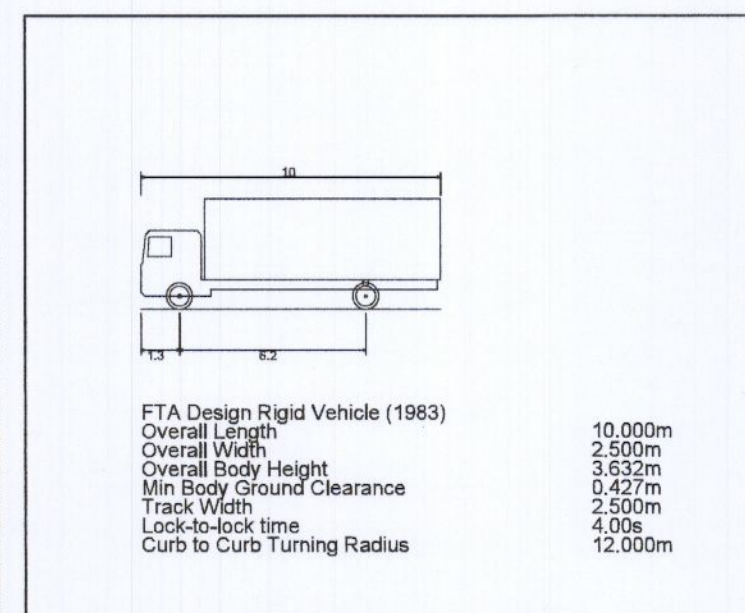
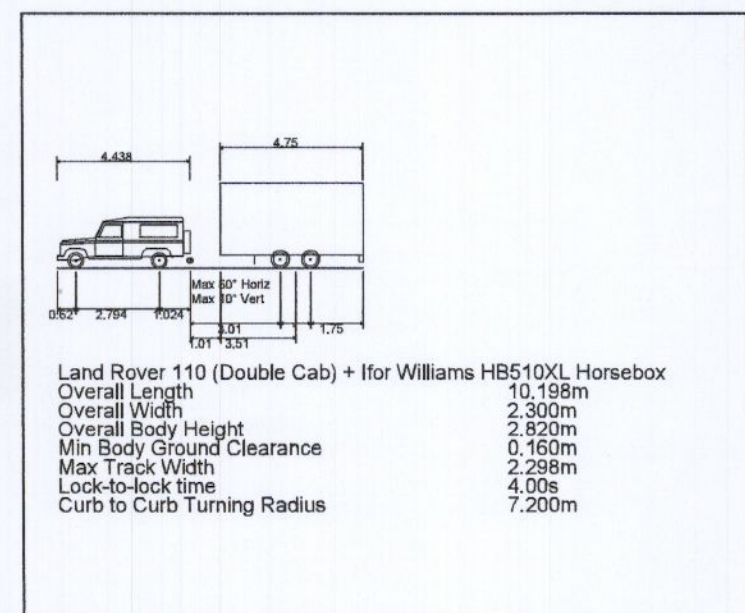


### GENERAL NOTES

- DO NOT SCALE THIS DRAWING. WORK ONLY TO FIGURED DIMENSIONS.
- FOR ALL RELEVANT NOTES, REFER TO STRUCTURAL AND CIVIL ENGINEERING PERFORMANCE SPECIFICATION.
- ANY DISCREPANCIES ARE TO BE REPORTED TO PINNACLE CONSULTING ENGINEERS IMMEDIATELY.
- THIS DRAWING IS TO BE READ IN CONJUNCTION WITH ALL OTHER RELEVANT ENGINEERS, ARCHITECTS AND SUB-CONTRACTORS DRAWINGS AND DETAILS.



0 50MM ON A1 DWG. 50

P04	UPDATED WITH CLIENT COMMENTS	RK	RK	06/09/22
P03	UPDATED WITH CLIENT COMMENTS	RK	RK	06/09/22
P02	GENERAL LAYOUT	RK	RK	02/09/22
REV	DESCRIPTION	BY	CHK	DATE

CLIENT  
PEARSE MC KIERNAN

PROJECT  
PROPOSED DWELLING,  
AT REDGAP, CO. DUBLIN

DRAWING TITLE  
EXISTING & ADDITIONAL  
PASSING BAYS 2&3 REQUESTED  
BY SDCC

**PINNACLE**  
CONSULTING ENGINEERS

GROSVENOR COURT,  
67A PATRICK STREET,  
DUN LAOGHAIRE,  
COUNTY DUBLIN  
IRELAND. TELEPHONE: +353 1231 1041  
WELWYN GARDEN CITY | NORWICH | LONDON | THE HAGUE

DRAWING STATUS			
<b>PLANNING</b>			
SCALE @ A1	DATE	DRAWN BY	CHECKED
1:200	AUG'22	RK	RK
DRG NO.	REVISION		
P210304-PIN-XX-DR-D-0006-SI	P04		

COPYRIGHT PINNACLE

REF: P210304