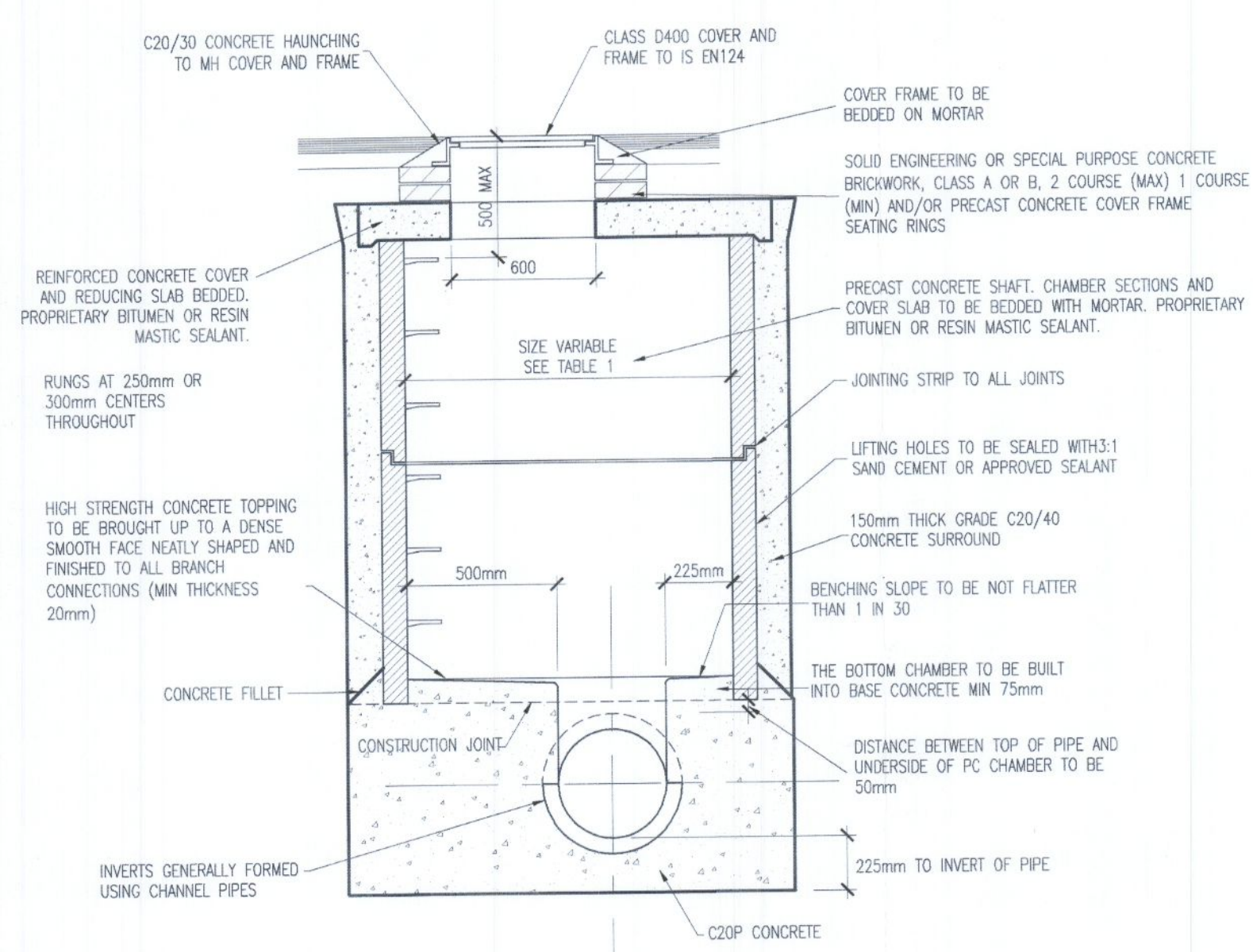


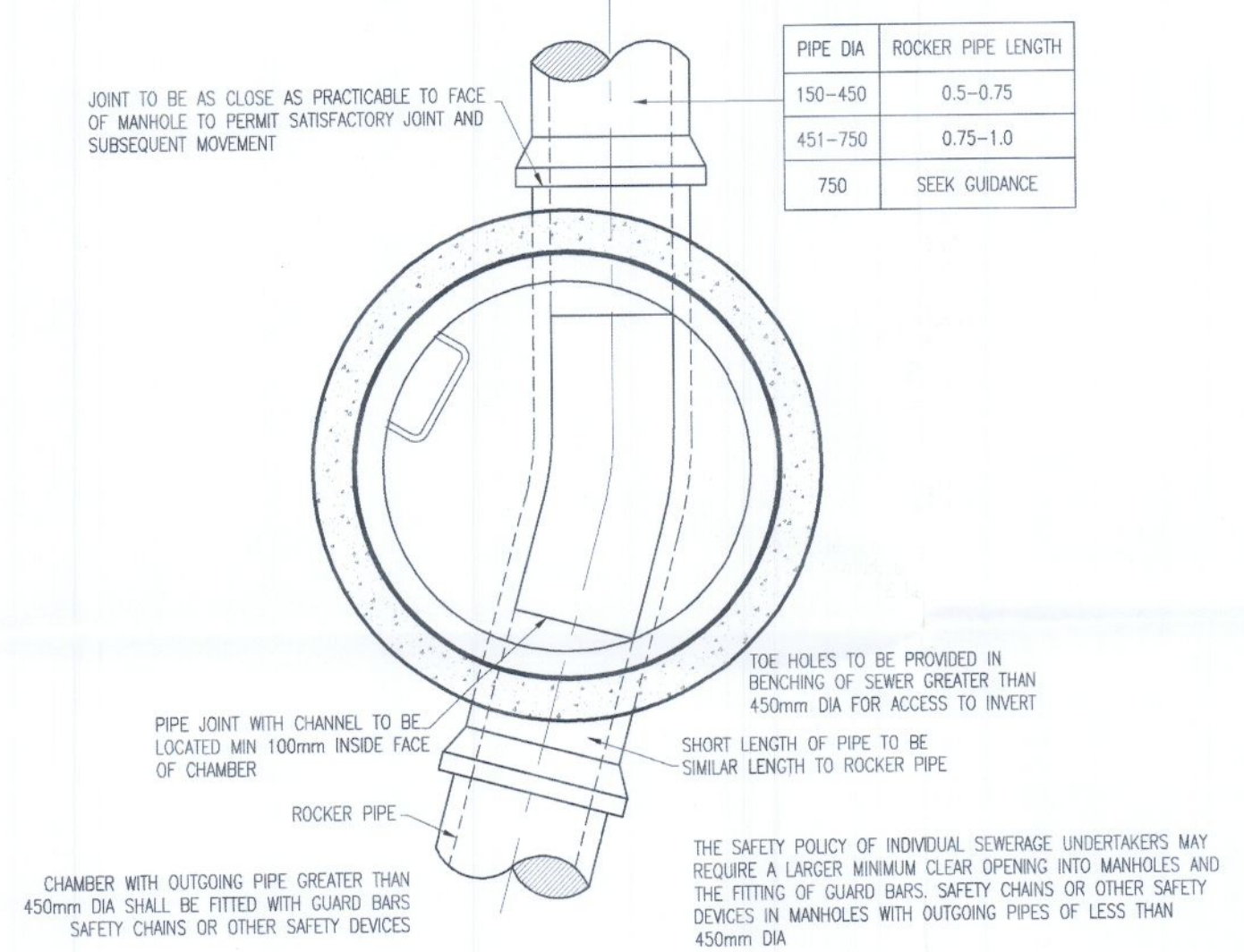
© COPYRIGHT OF THIS DRAWING IS RESERVED BY DBFL CONSULTING ENGINEERS. NO PART SHALL BE REPRODUCED OR TRANSMITTED WITHOUT THEIR WRITTEN PERMISSION.

NO CHANGES OF WHATSOEVER NATURE ARE TO BE MADE TO ANY DETAILS SET OUT OR CONTAINED IN ANY DBFL SPECIFICATIONS OR DRAWINGS UNLESS THE EXPRESS CONSENT HAS BEEN OBTAINED IN ADVANCE, IN WRITING, FROM DBFL.

- NOTES:
- ALL WORKS TO BE CONSTRUCTED IN ACCORDANCE WITH GREATER DUBLIN REGIONAL CODES OF PRACTICE FOR DRAINAGE WORKS
 - ALL DRAWINGS TO BE CHECKED BY CONTRACTOR ON SITE AND ENGINEER INFORMED OF DISCREPANCIES BEFORE WORK COMMENCES
 - CONTRACTOR SHALL SATISFY HIMSELF AS TO THE ACCURACY OF PAVEMENT LEVELS ON SITE PRIOR TO COMMENCEMENT OF WORKS
 - ALL FOLL MANHOLES TO BE CONSTRUCTED IN ACCORDANCE WITH IRISH WATER'S CODE OF PRACTICE FOR WASTEWATER INFRASTRUCTURE
 - ALL MANHOLES TO BE RETAINED IN PRIVATE OWNERSHIP TO BE PRE-CAST CONCRETE MANHOLES AS PER DRAINAGE DESIGN DETAILS



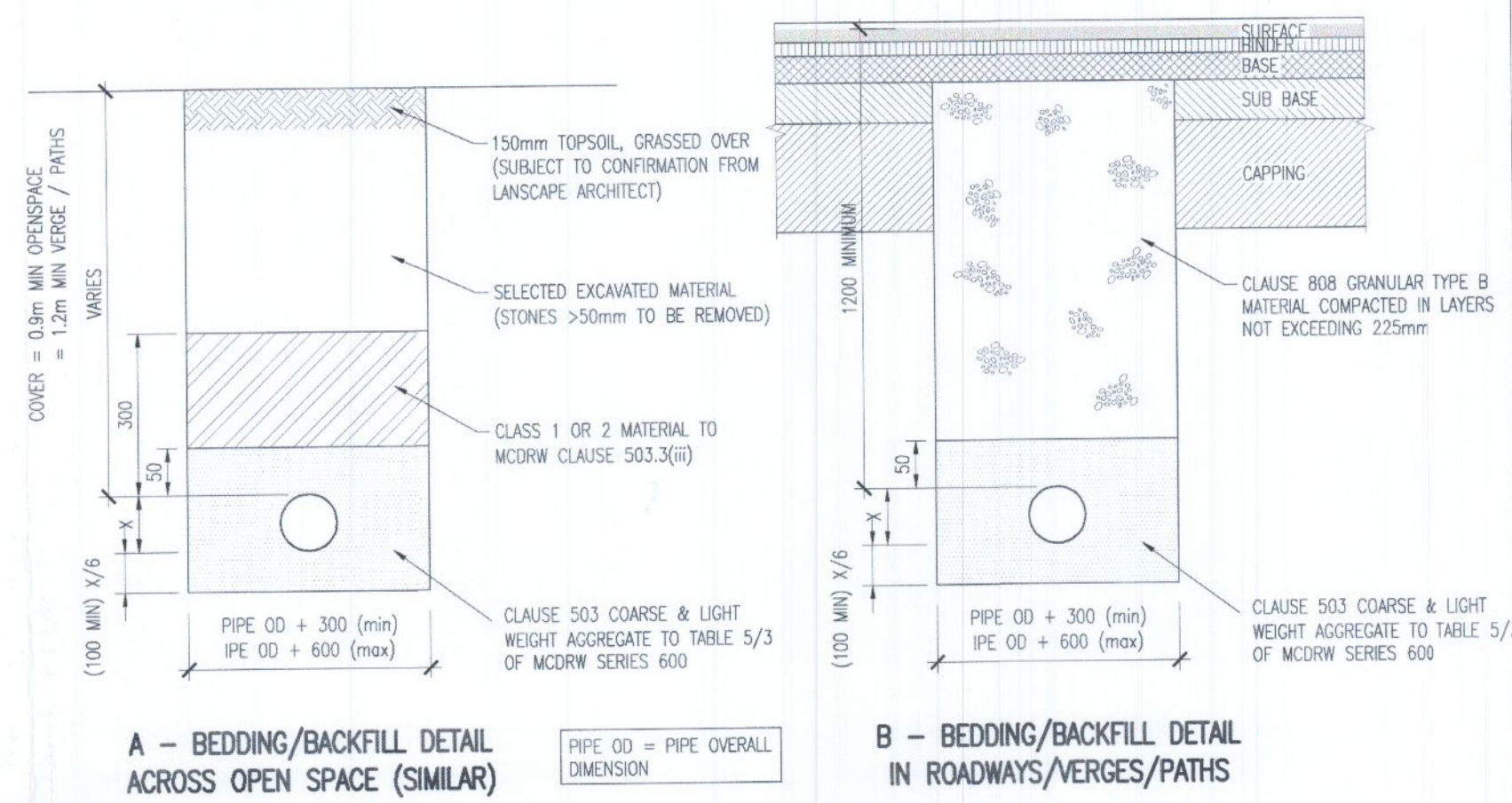
PIPE DIA	ROCKER PIPE LENGTH
150-450	0.5-0.75
451-750	0.75-1.0
750	SEE GUIDANCE



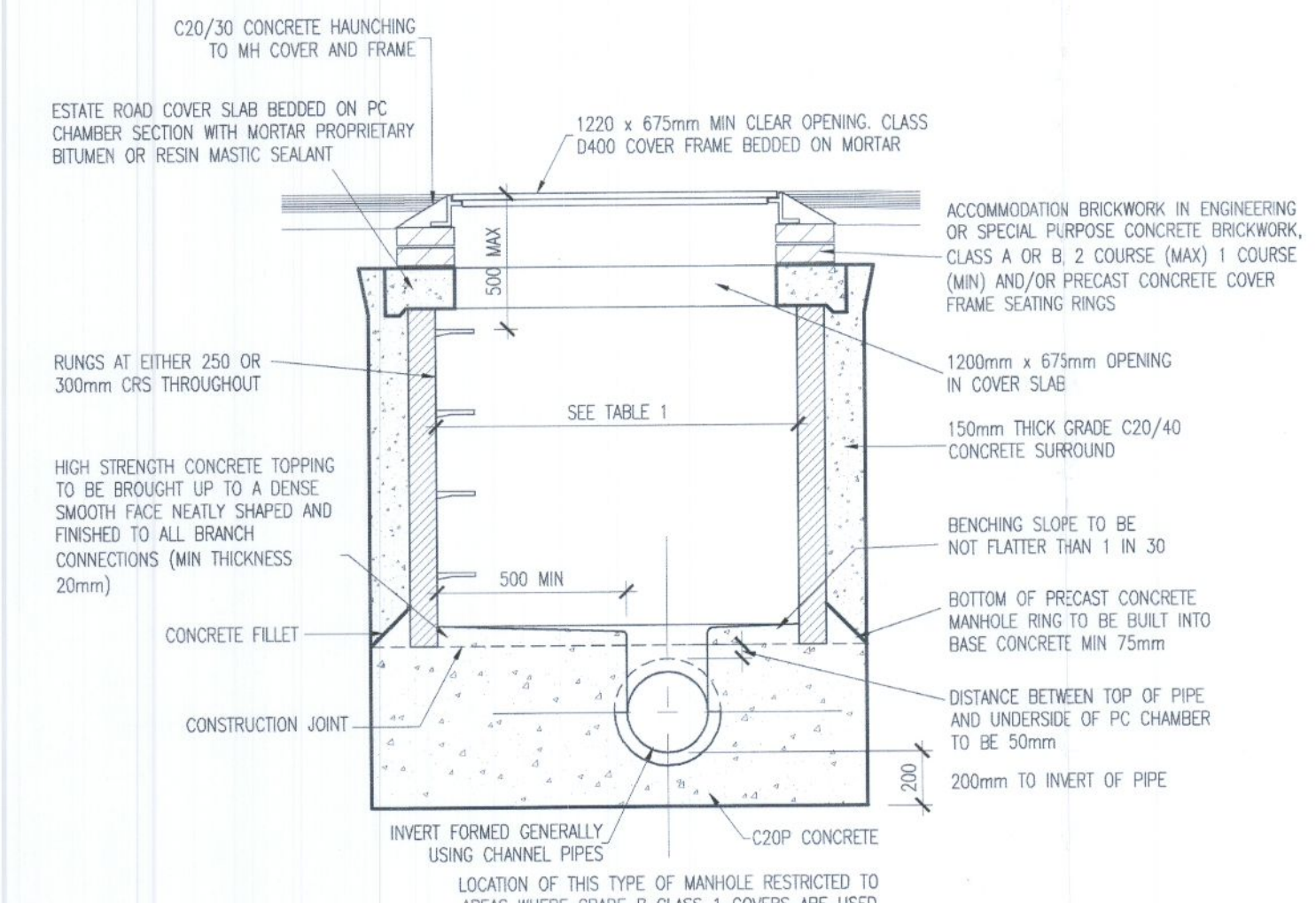
TYPICAL MANHOLE DETAIL - TYPE J
DEPTH TO SOFFIT 1.35 TO 3m
SCALE 1:25

DIAMETER OF LARGEST PIPE IN MANHOLE (mm)	CHAMBER SECTION DIAMETER (mm)
LESS THAN 375	1200
375 - 450	1350
500 - 700	1500
750 - 900	1800
> 750	PIPE SIZE + 1.3m

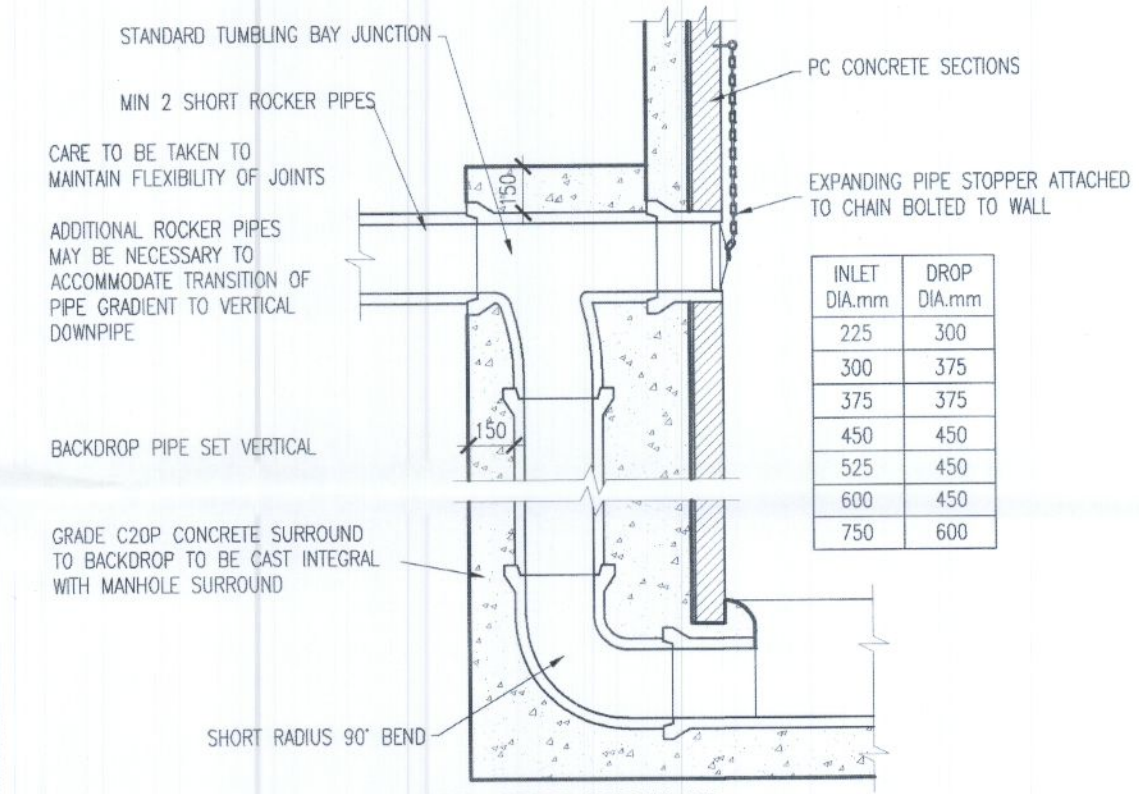
TABLE 1



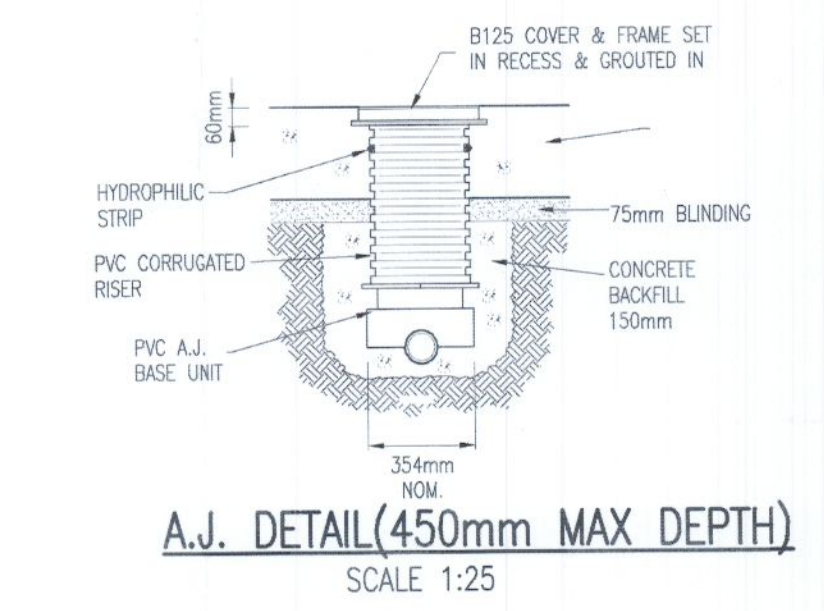
TYPE S
(COVER > 1.2 METRES TO CROWN)
PIPE BEDDING DETAILS
SCALE 1:25



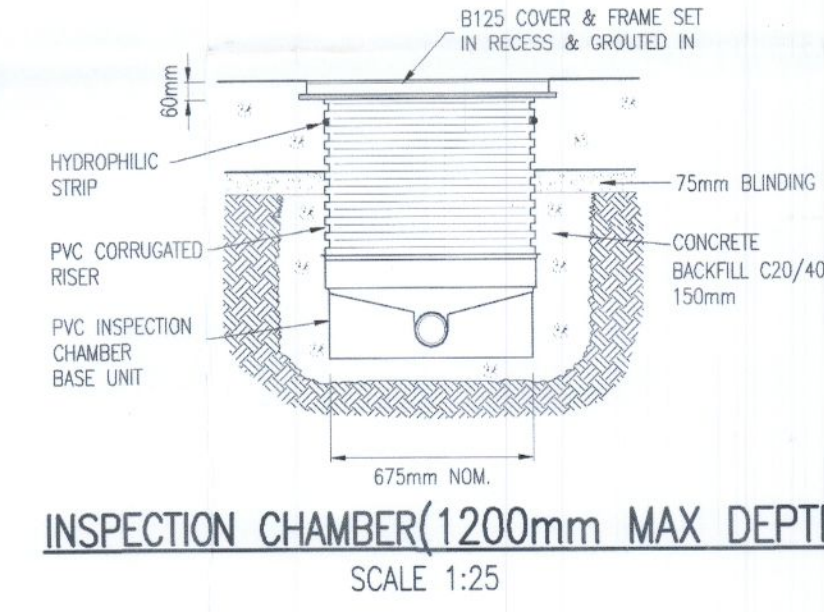
TYPICAL MANHOLE DETAIL - TYPE E
DEPTH TO SOFFIT 1.0 TO 1.35m
SCALE 1:25



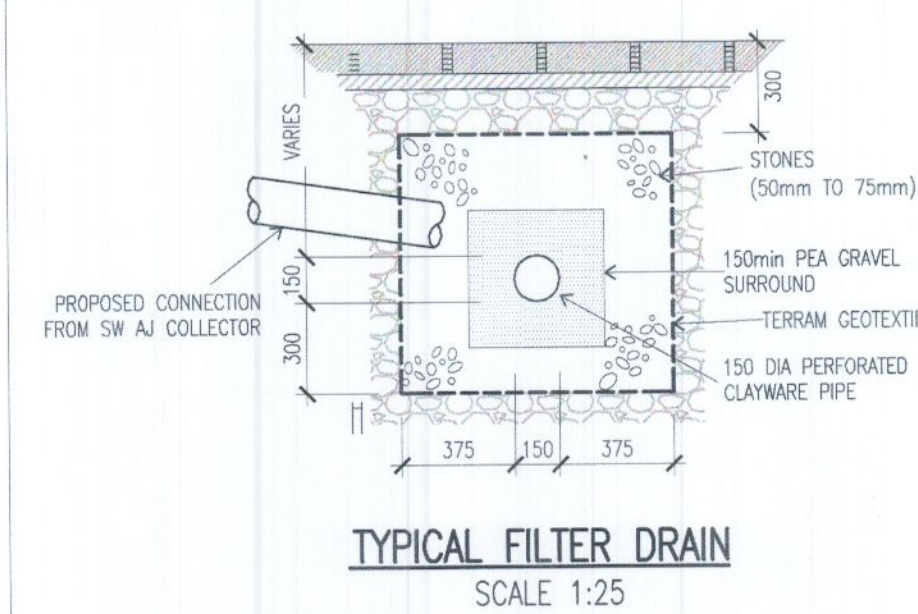
TYPICAL VERTICAL BACKDROP DETAIL
SCALE 1:25



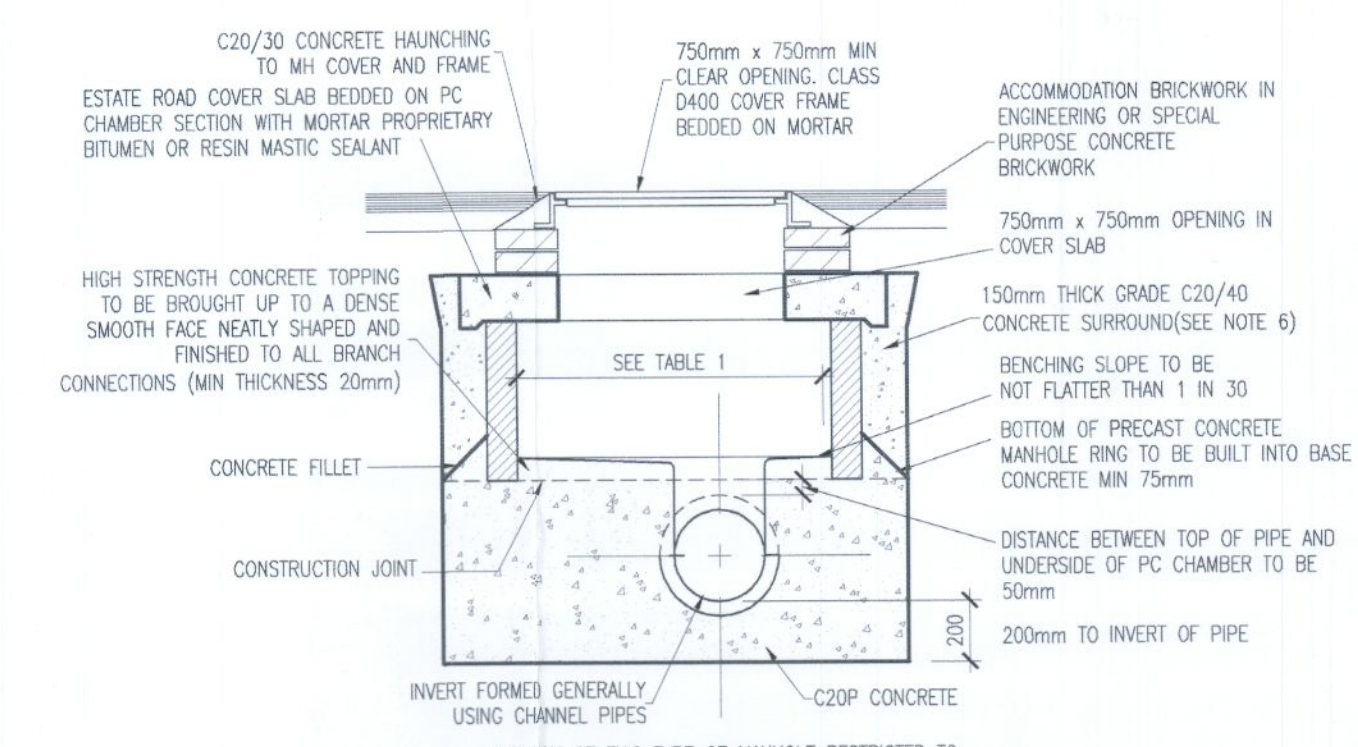
A.J. DETAIL (450mm MAX DEPTH)
SCALE 1:25



INSPECTION CHAMBER (1200mm MAX DEPTH)
SCALE 1:25



TYPICAL FILTER DRAIN
SCALE 1:25



TYPICAL MANHOLE DETAIL - TYPE F
DEPTH TO SOFFIT LESS THAN 1.0m
SCALE 1:25

PO2	14-10-22	ISSUED FOR PLANNING	RMC	KMM
PO1	07-10-22	ISSUED FOR PLANNING	PGC <td>KMM</td>	KMM
rev	date	description	by	chkd
client approval	A - Approved B - Approved with comments C - Do not use			
suitability	S4 - STAGE APPROVAL		PLANNING	

DBFL Consulting Engineers
Civil, Structural & Transportation Engineering
www.dbfl.ie

DUBLIN OFFICE: Ormeau House, Upper Ormeau Quay, Dublin 7. D07 W074
PHONE: +353 1 400 4202
CORK OFFICE: 14 South Mall, Cork. T12 T911
PHONE: +353 21 2082030
WATERFORD OFFICE: Suite 10 The Arkham, Maritime Quay, Canada Street, Waterford. X31 W028
PHONE: +353 51 309 900

project ref: **CUIL DUIN CRECHE & COMMUNITY CENTRE**

drawing title: **TYPICAL DRAINAGE DETAILS**

client: **GREENACRE RESIDENTIAL DAC**

designed by	author	scale	sheet size
KMM	PGC	AS SHOWN	A1
drawing no.	revision		
132071-DBFL-CS-SP-DR-C-5301	RMC		