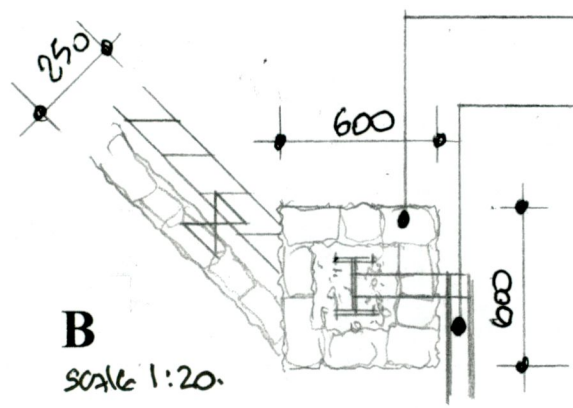


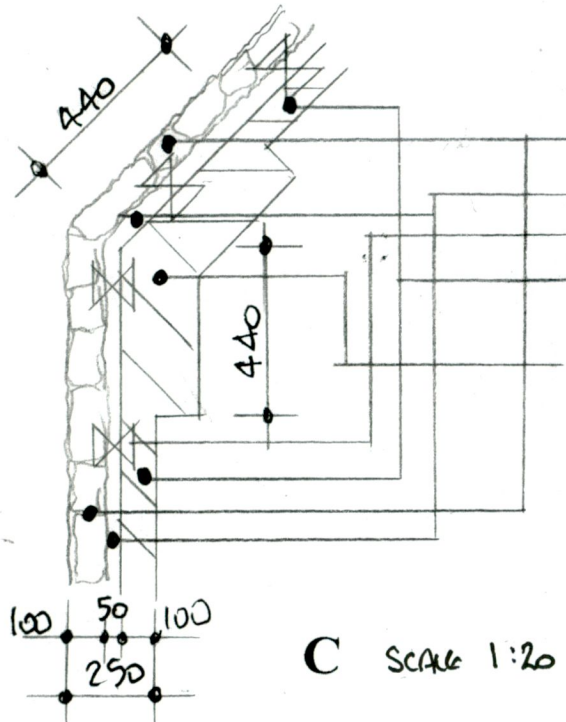
100 new selected stone structure.
 50 cavity.
 stainless steel masonry ties.
 100 concrete block with clean mortar joints.
 440x440 concrete block piers.

A SCALE 1:20



600x600 selected stone pier to match new stone front boundary walls.
 new selected aluminium entrance gates fixed to steel frame in insith concrete by specialist.

B SCALE 1:20.



100 new selected stone structure.
 50 cavity.
 stainless steel masonry ties.
 100 concrete block with clean mortar joints.
 440x440 concrete block piers.

C SCALE 1:20

DRAWING TO BE READ IN CONJUNCTION WITH DRG. NO. 02.10.2022

Drawing No. 04.10.2022

DESMOND J. HALPIN. & ASSOCIATE
 PLANNING & BUILDING DESIGN CONSULTANT
 15 Carriglea Drive, Phone NO: 014523710
 Firhouse, Mobile No: 0879734599
 Dublin.24. Registered Company No:111360
 E-Mail :DesHALPIN15@GMail.com