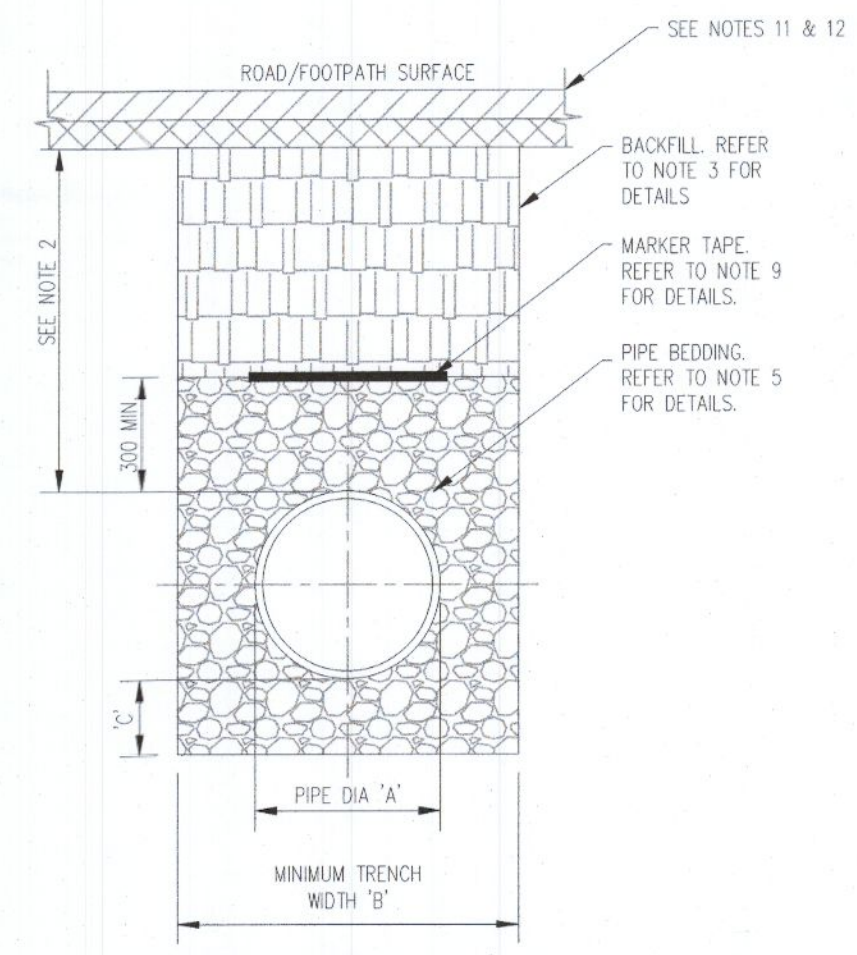


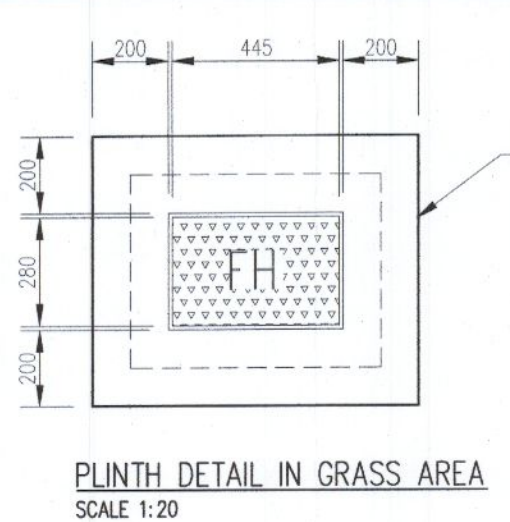
CROSS SECTION IN GRASSED AREAS
SCALE 1:20



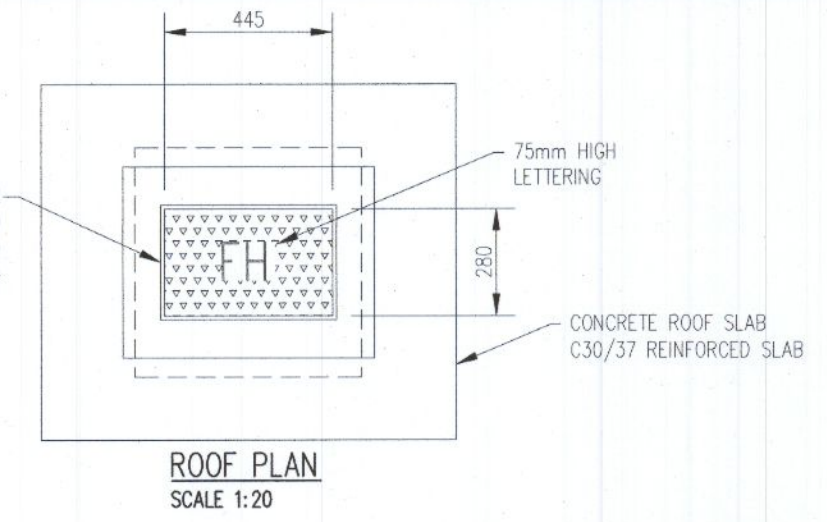
CROSS SECTION IN ROADWAYS
SCALE 1:20

DETAIL 01 - TRENCH BACKFILL AND BEDDING

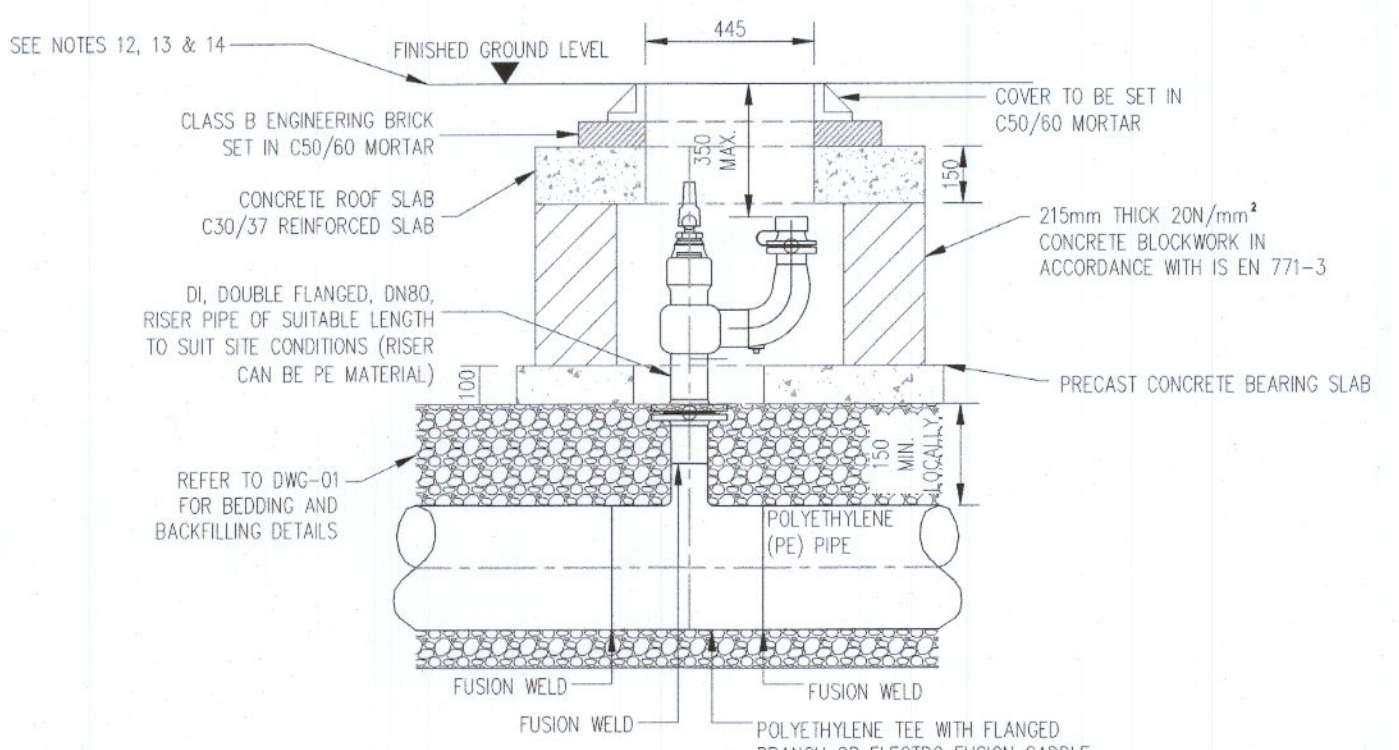
PIPE DIAMETER 'A' (mm)	DEPTH OF BEDDING 'C' (mm)
≤ 200	150
≥ 250	200
PIPE DIAMETER 'A' (mm)	TRENCH WIDTH 'B' (mm)
≤ 80	SEE NOTE 10
100	500
150	600
200	600
250	750
300	750
350	750
400	900
450	900



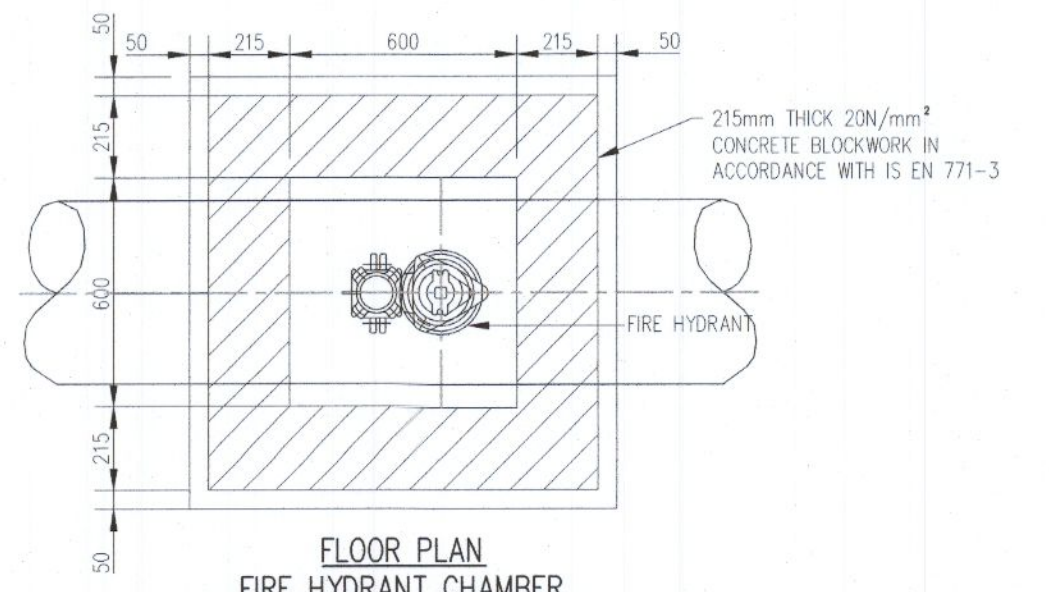
PLINTH DETAIL IN GRASS AREA
SCALE 1:20



ROOF PLAN
SCALE 1:20



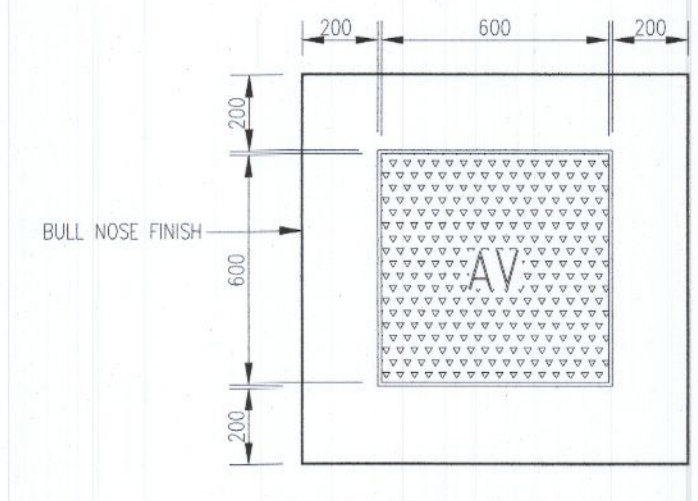
SECTION
SCALE 1:20



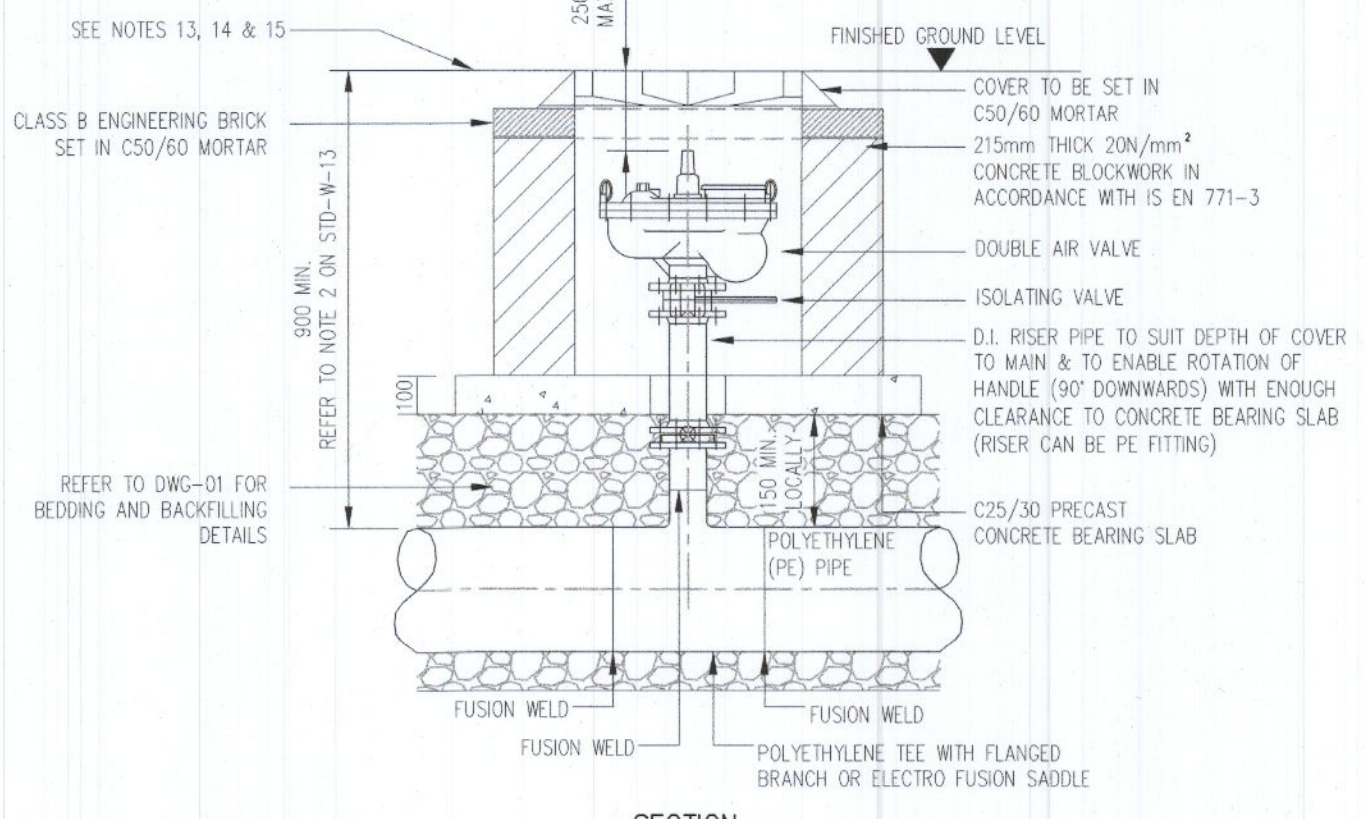
FLOOR PLAN
FIRE HYDRANT CHAMBER
(BLOCKWORK CONSTRUCTION)
SCALE 1:20

DETAIL 02 - ON-LINE HYDRANT FOR POLYETHYLENE (P.E.) PIPE

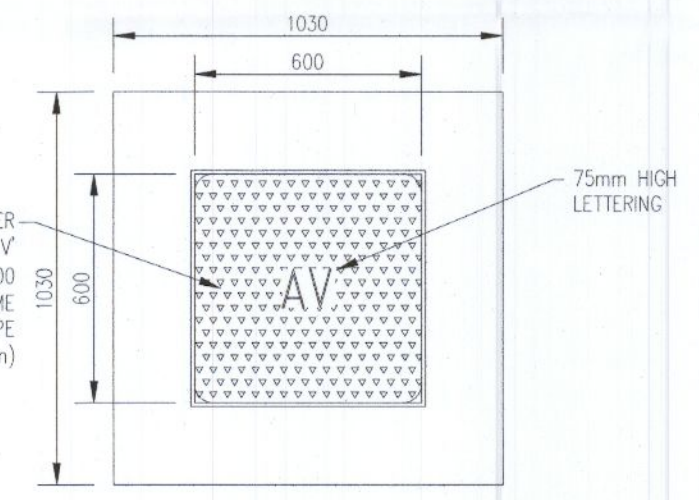
DIAMETER OF MAIN	UP TO 250 (mm)	250 TO 350 (mm)
DIAMETER OF BRANCH	80mm	100mm
BORE OF VALVE INLET	80mm	100mm



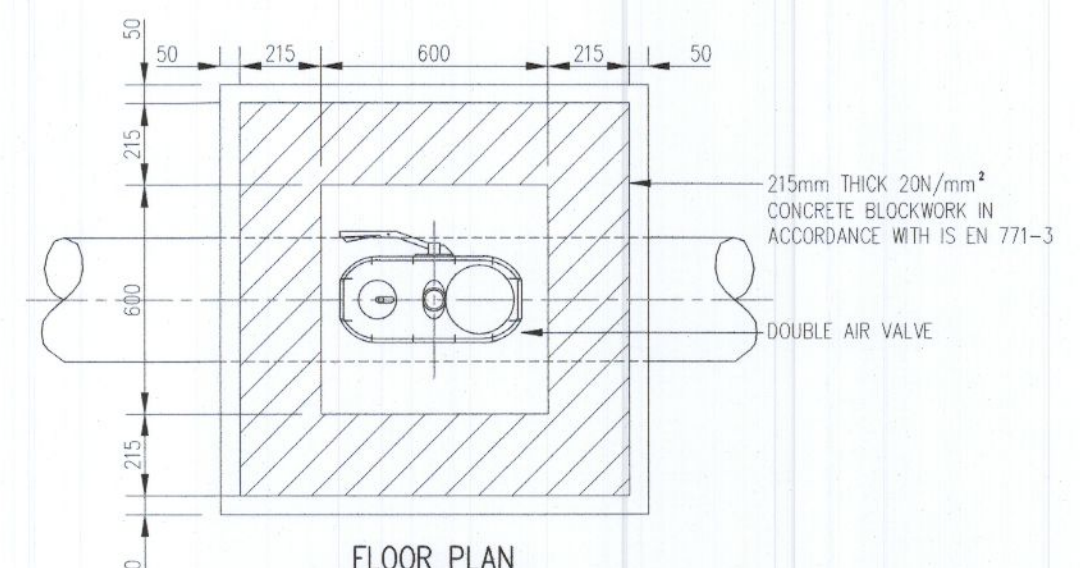
PLINTH DETAIL IN GRASS AREA
SCALE 1:20



SECTION
SCALE 1:20

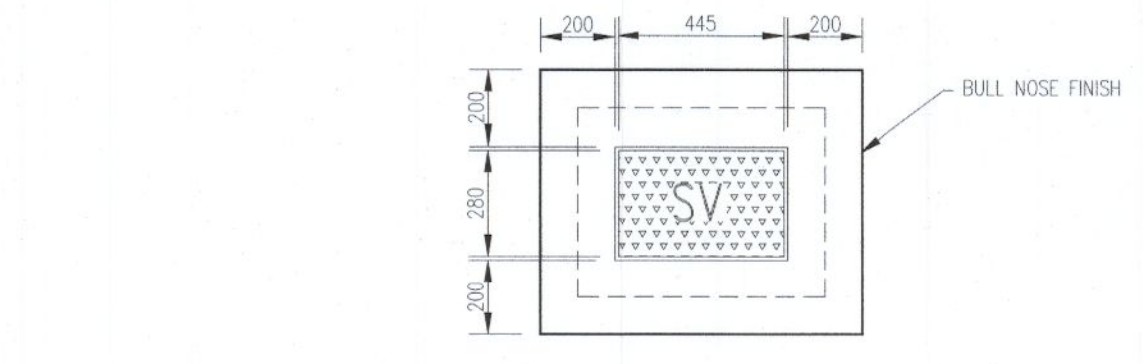


ROOF PLAN
SCALE 1:20

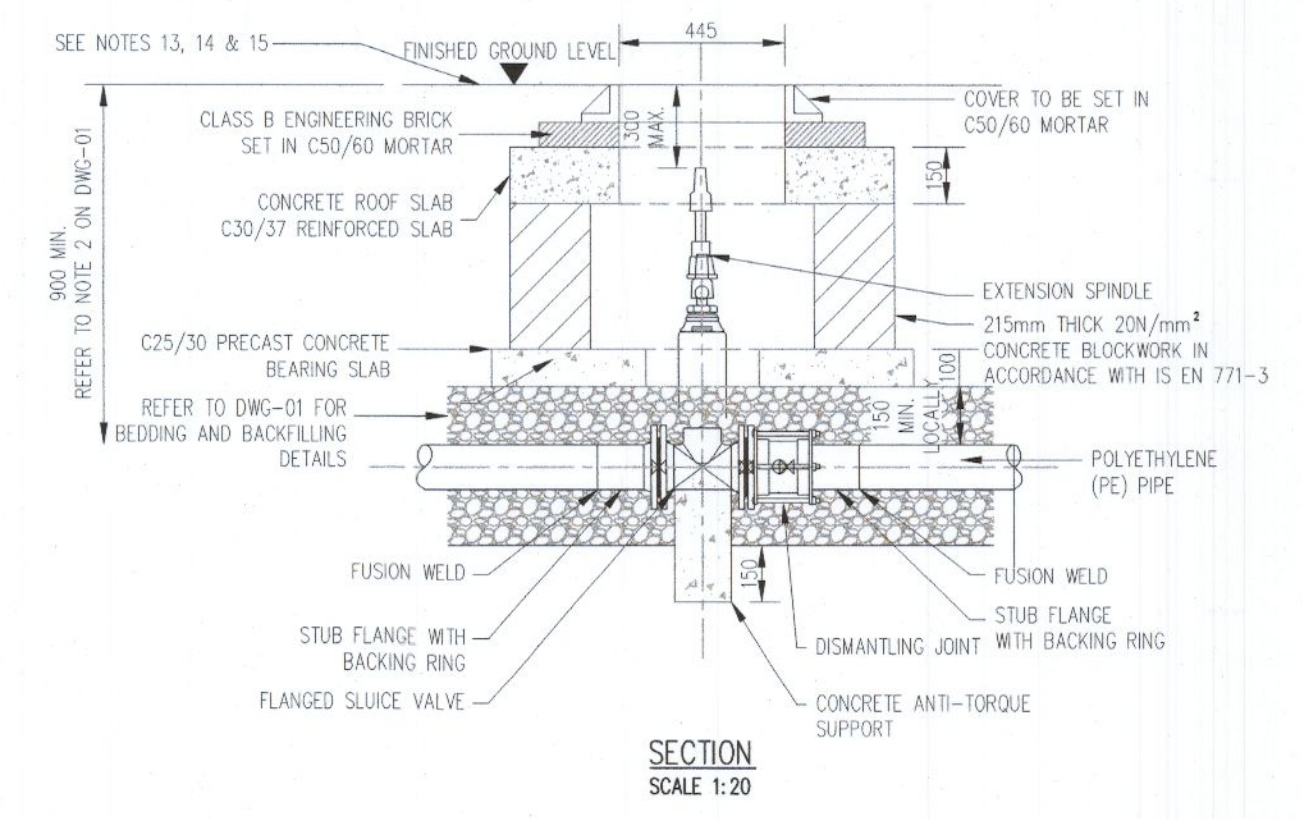


FLOOR PLAN
DOUBLE AIR VALVE
(BLOCKWORK CONSTRUCTION)
SCALE 1:20

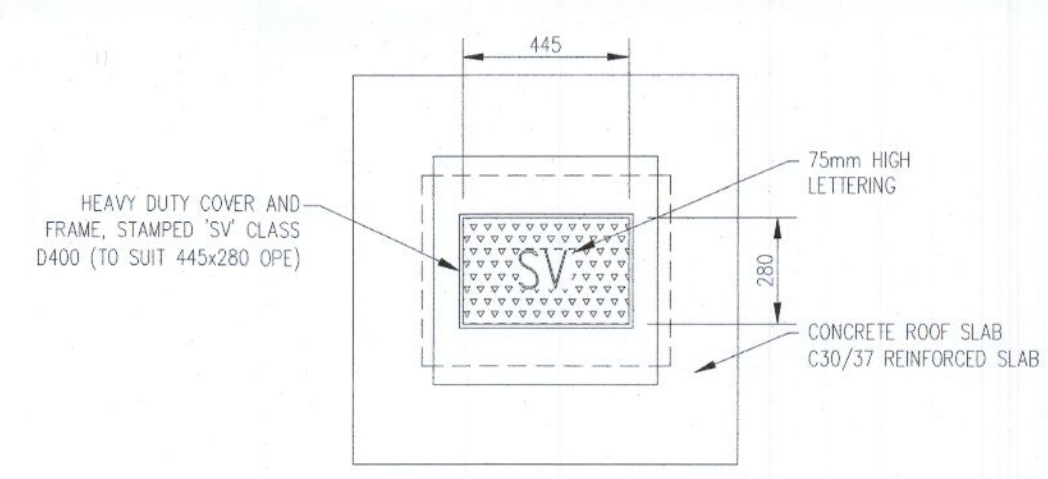
DETAIL 03 - ON-LINE AIR VALVE FOR POLYETHYLENE (P.E.) PIPE



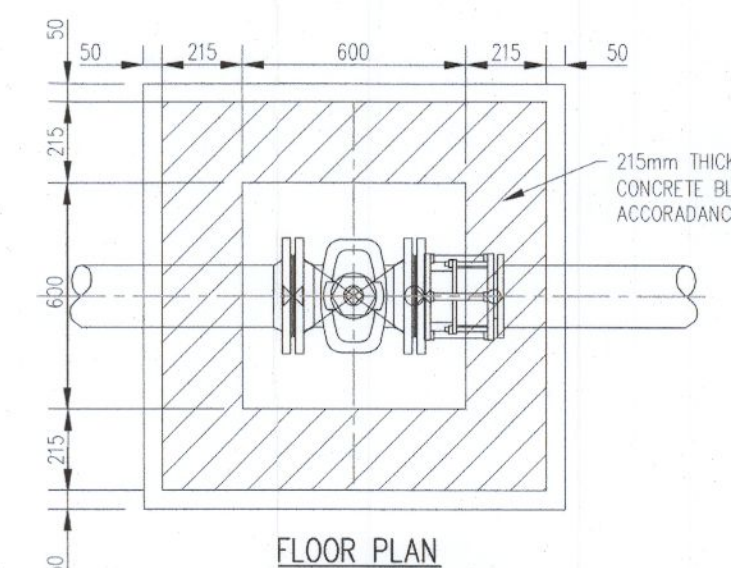
PLINTH DETAIL IN GRASS AREA
SCALE 1:20



SECTION
SCALE 1:20



ROOF PLAN
SCALE 1:20



FLOOR PLAN
SLUICE VALVE CHAMBER
(BLOCKWORK CONSTRUCTION)
SCALE 1:20

DETAIL 04 - SLUICE VALVE FOR POLYETHYLENE (P.E.) PIPE (<350mm Ø)

NOTES

- GENERAL
- THESE DRAWINGS TO BE READ IN CONJUNCTION WITH ALL RELEVANT HAYES HIGGINS ENGINEERING DRAWINGS AND SPECIFICATIONS.
 - DO NOT SCALE. USE FIGURED DIMENSIONS ONLY.

REV	DATE	DESCRIPTION	FS	LM
P	23.08.22	ISSUED FOR PLANNING		

ISSUED FOR PLANNING

CLIENT: DUBLIN SIMON COMMUNITY

PROJECT NAME: 10 UNITS AT OLD NANGOR ROAD

DRAWING NAME: IRISH WATER WATERMAIN DETAILS SHEET 1 OF 4

PROJECT No. 17D070

DRAWING No. 08A REVISION P

SCALE AS SHOWN DRAWN DATE 15.06.18

CAD DRAWN BY F.S. CHECKED BY L.M. APPROVED BY D.H.

Hayes Higgins Partnership
The Glass House, 11 Coke Lane Smithfield, Dublin 7. Tel: 01 6612321 E-mail: admin@hayeshiggins.ie Gas House Lane, Kilkenny. Tel: (056) 7764710 Email: info@hhp.ie