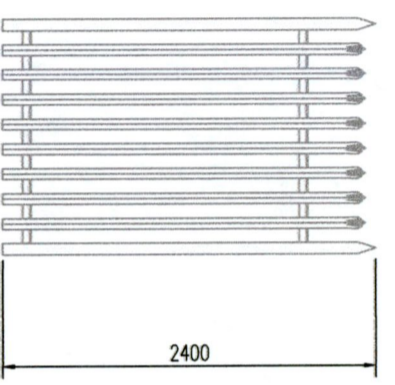
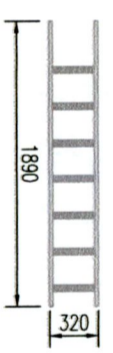


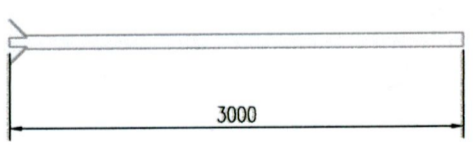
Notes
 Site Entrance Coordinates
 Irish Grid: E 313216, N 230270
 ITM: E 713157, N 730295
 Site Centre/Mast Location Coordinates and Elevation
 Irish Grid: E 313196, N 230320
 ITM: E 713137, N 730344
 Elevation: 45m A.S.L.
 A.S.L. - Above Sea Level
 A.G.L. - Above Ground Level
 All Dimensions are in mm unless specified



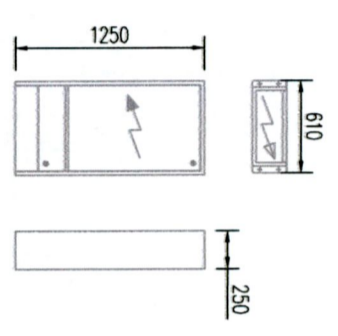
Fence
 Scale 1:50



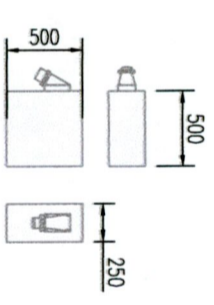
Cable Ladder
 Scale 1:50



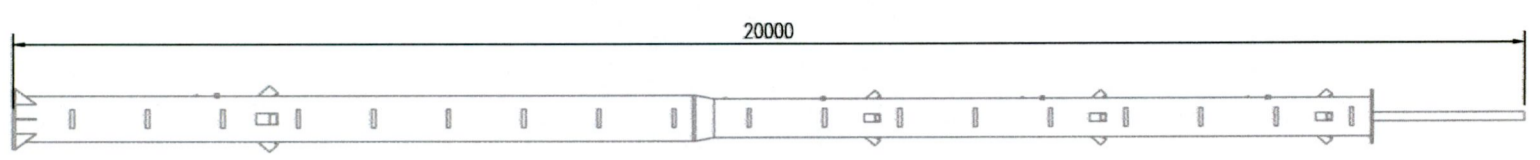
Gantry Pole
 Scale 1:50



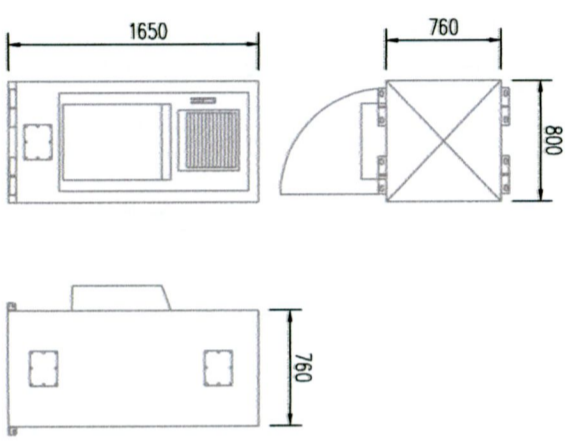
H3Gi RFE Cabinet
 Scale 1:50



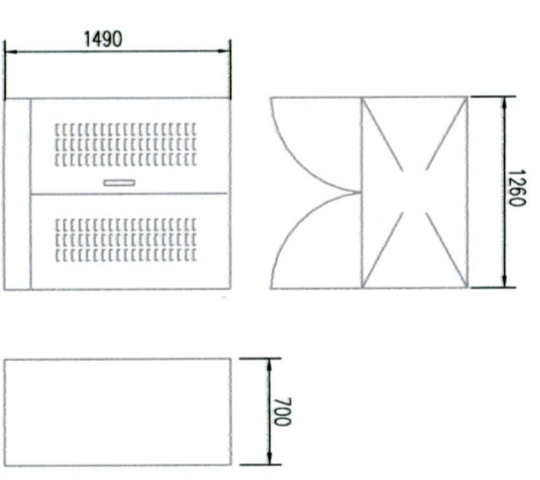
H3Gi E115 cabinet
 Scale 1:50



20m High Monopole
 Scale 1:100



H3Gi T447 Cabinet
 Scale 1:50



H3Gi NEC Cabinet
 Scale 1:50

No.	Revision	Date	By	Chd
1	PLANNING APPLICATION DRAWING	23/07/21	W	L

entrust
 planning & environmental
 Drawings prepared by Yogi Murni
 ENTRUST LTD, Unit 10, Daeppark, Business Centre, Ormonore,
 Co. Galway, H91 X599, TEL: +353 85 1 211 211
 contact@entrust-services.com

cellmex
 driving telecom connectivity
 On Tower Ireland Limited, Suite 311 Q-House, Furze
 Road, Sandycroft Industrial Estate, Dublin 18, D18 Y50

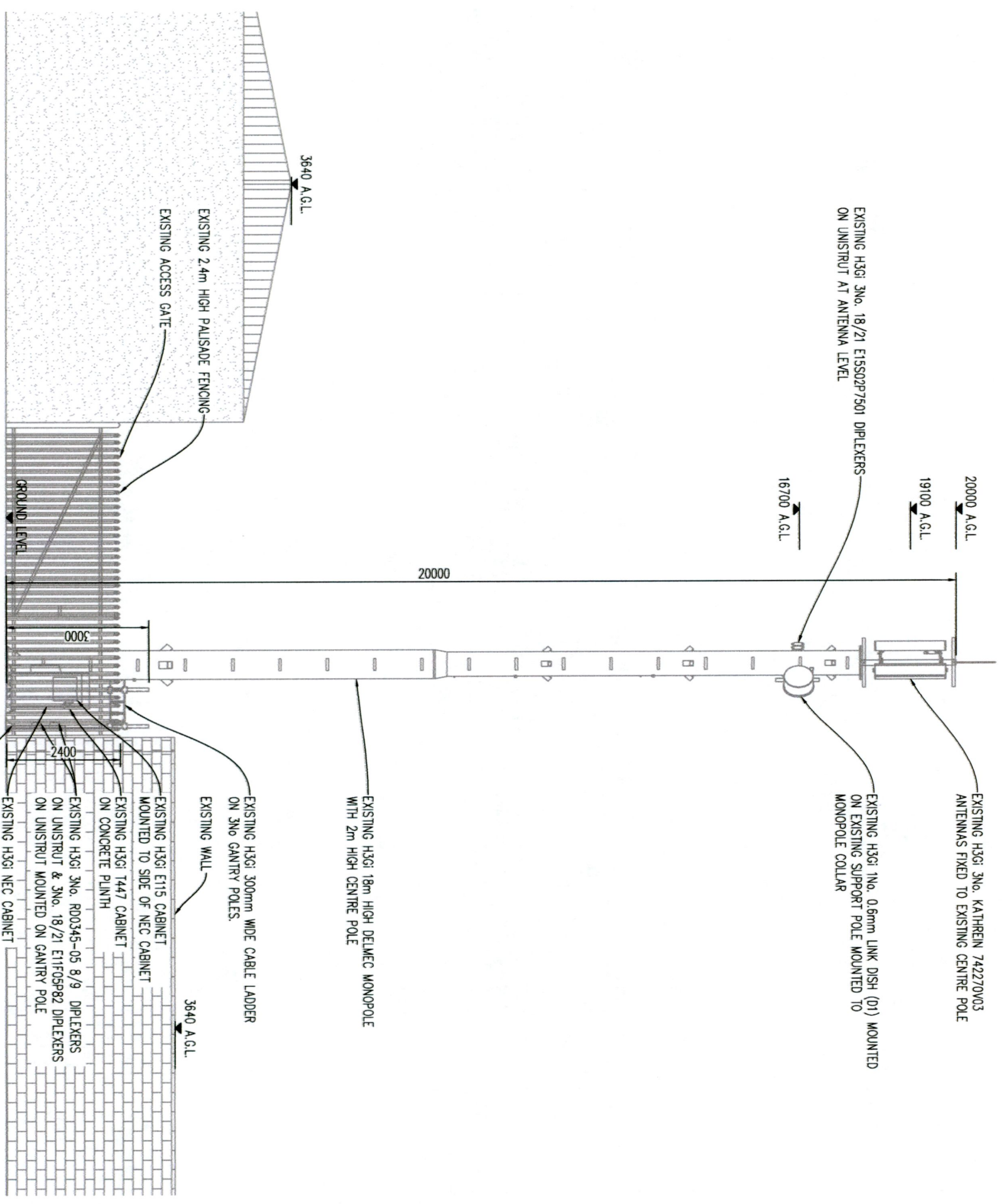
PLANNING APPLICATION

Site ID: DU0376
 Site Name: FORTFIELD LANE KIMMAGE
 Site Address:
 Unit 1,
 Fortfield Lane,
 Fortfield Road,
 Terenure, Dublin 6W

Title: EQUIPMENT DETAILS
 MOBILE TELECOMMUNICATIONS
 INSTALLATION
 Designed W: Date 23/07/21
 Drawn W: Scale AS SHOWN Rev. A
 Dwg No. DU0376-P-11

Notes
 Site Entrance Coordinates
 Irish Grid: E 313216, N 230270
 ITM: E 713157, N 730295
 Site Centre/Mast Location Coordinates and Elevation
 Irish Grid: E 313196, N 230320
 ITM: E 713137, N 730344
 Elevation: 45m A.S.L

ASL - Above Sea Level
 A.G.L. - Above Ground Level
 All Dimensions are in mm unless specified



SOUTH-WEST ELEVATION

SCALE 1:100

No.	Revision	Date	By	L
1	PLANNING APPLICATION DRAWING	23/07/21	W	L

entrust
 planning & environmental
 Drawings prepared by: Yogi Murthi
 ENTRUST LTD, Unit 10, Deerpark Business Centre, Oromore,
 Co. Galway, H91 Y599. TEL: +353 85 1 211 211
 contact@entrust-services.com

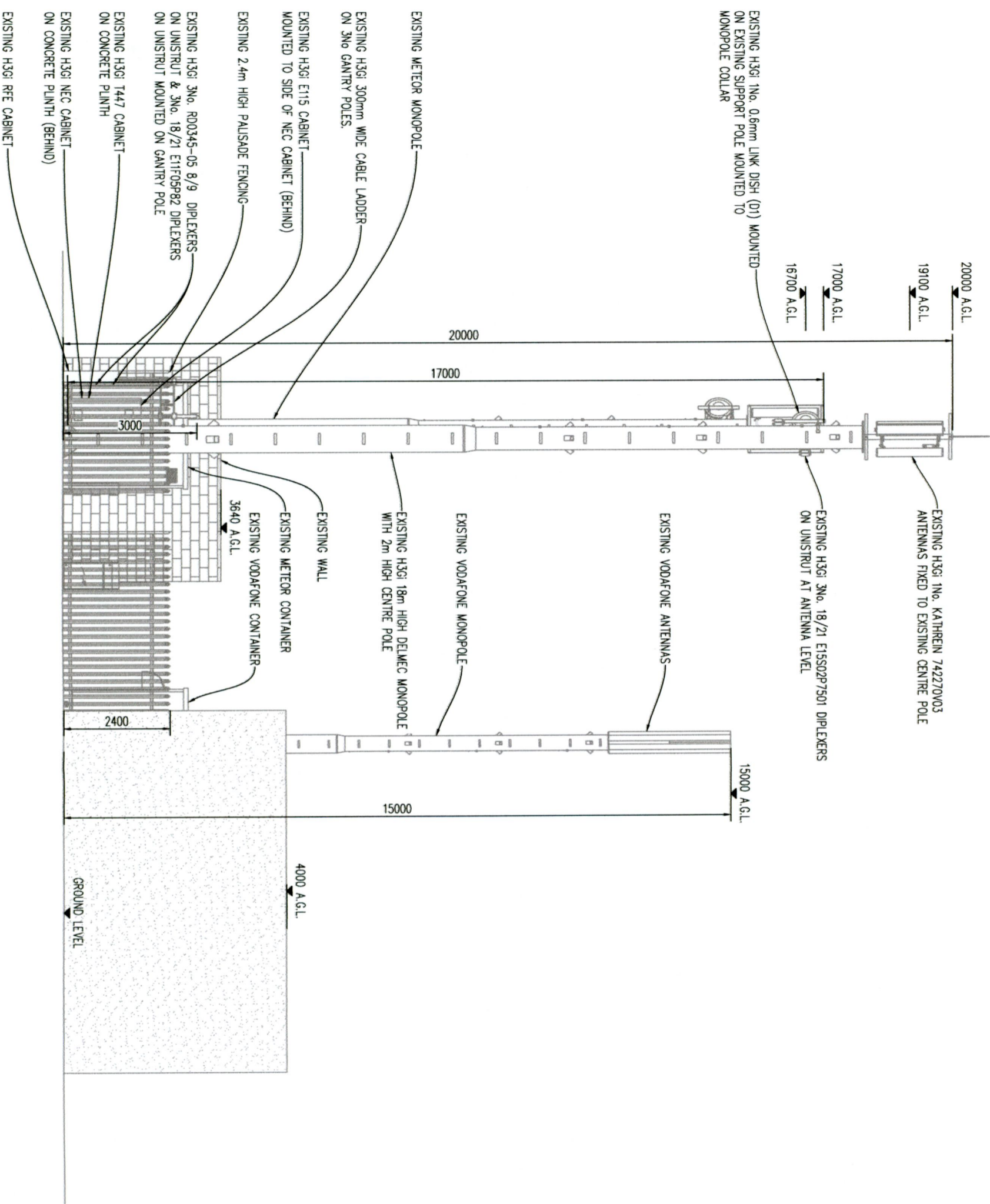
celmex
 driving telecom connectivity
 On Tower Ireland Limited, Suite 311, O-House, Furze
 Road, Sandycroft Industrial Estate, Dublin 18, D18 Y950

PLANNING APPLICATION

Site ID: DU0376
 Site Name: FORTFIELD LANE KIMMAGE
 Site Address:
 Unit 1,
 Fortfield Lane,
 Fortfield Road,
 Terenure, Dublin 6W

Title
 SITE ELEVATION PLAN
 MOBILE TELECOMMUNICATIONS
 INSTALLATION

Designed by	Date	23/07/21
Drawn by	Scale	AS SHOWN
Dwg No.	Rev.	A
DU0376-P-10		



Notes
 Site Entrance Coordinates
 Irish Grid: E 313216, N 230270
 TM: E 713157, N 730295
 Site Centre/Mast Location Coordinates and Elevation
 Irish Grid: E 313196, N 230320
 TM: E 713137, N 730344
 Elevation: 45m A.S.L.
 A.S.L. - Above Sea Level
 A.G.L. - Above Ground Level
 All Dimensions are in mm unless specified

No.	Revision	Date	By	Chk
1	PLANNING APPLICATION DRAWING	23/07/21	W	IL

entrust
 planning & environmental
 Drawings prepared by: Yogi Murthi
 ENTRUST LTD, Unit 10, Osprey Park, Business Centre, Oorahmore,
 Co. Carlow, N91 K599, TEL: +353 85 1 211 211
 contact@entrust-services.com

celmex
 driving telecom connectivity
 On Tower Ireland Limited, Suite 311 O-Home, Furze
 Road, Sandycroft Industrial Estate, Dublin 18, D18 W50

PLANNING APPLICATION
 Site ID: DU0376
 Site Name: FORTFIELD LANE KIMMAGE
 Site Address:
 Unit 1,
 Fortfield Lane,
 Fortfield Road,
 Terenure, Dublin 6W

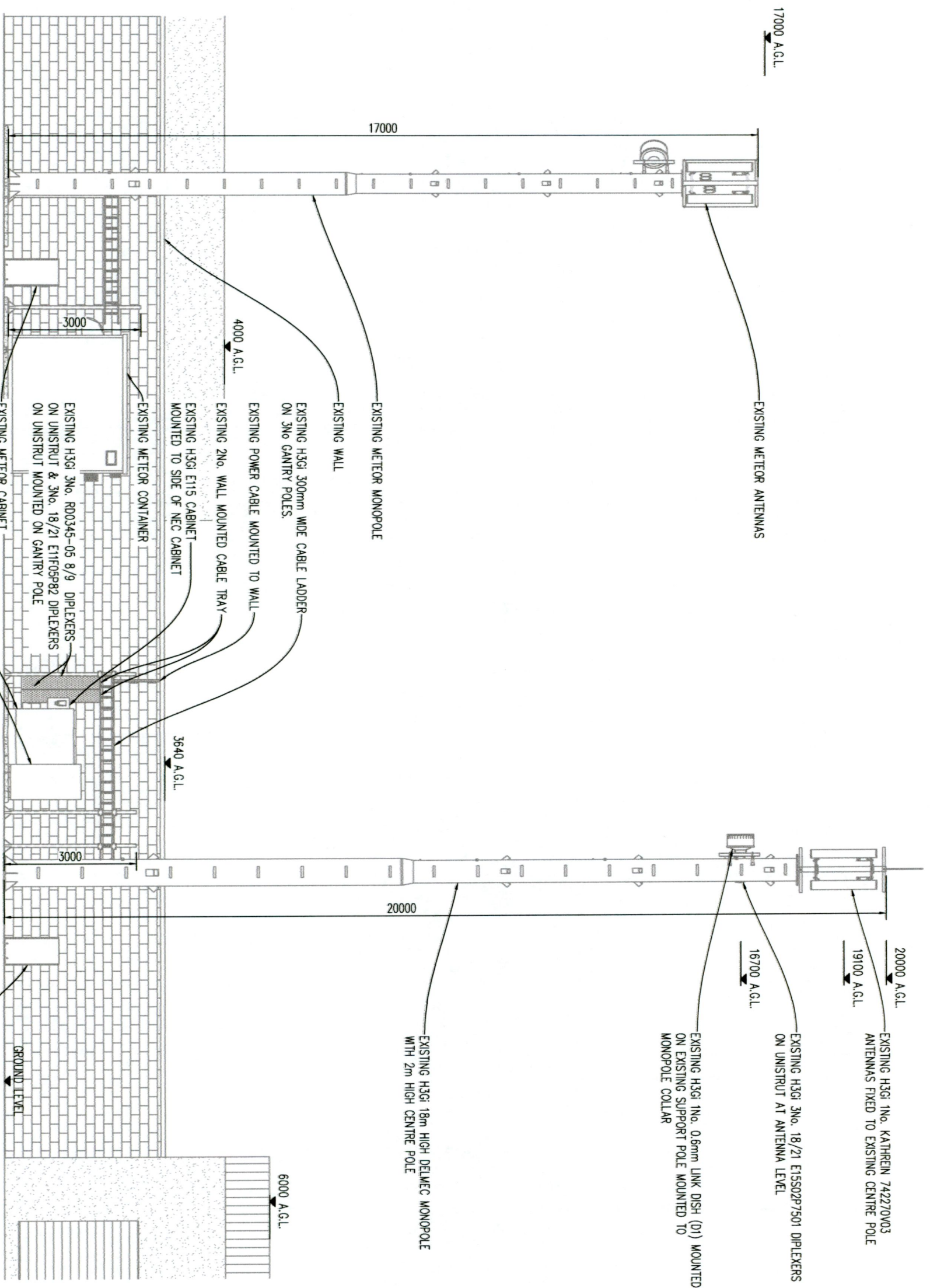
SITE ELEVATION PLAN
 MOBILE TELECOMMUNICATIONS
 INSTALLATION

Designed by	Date	23/07/21
Drawn by	Scale	AS SHOWN
Dwg No.	Rev.	A
DU0376-P-09		

NORTH-EAST ELEVATION

SCALE 1:100

Notes
 Site Entrance Coordinates
 Irish Grid: E 313216, N 230270
 ITM: E 713157, N 730295
 Site Centre/Mast Location Coordinates and Elevation
 Irish Grid: E 313196, N 230320
 ITM: E 713137, N 730344
 Elevation: 45m A.S.L.
 A.S.L. - Above Sea Level
 A.G.L. - Above Ground Level
 All Dimensions are in mm unless specified

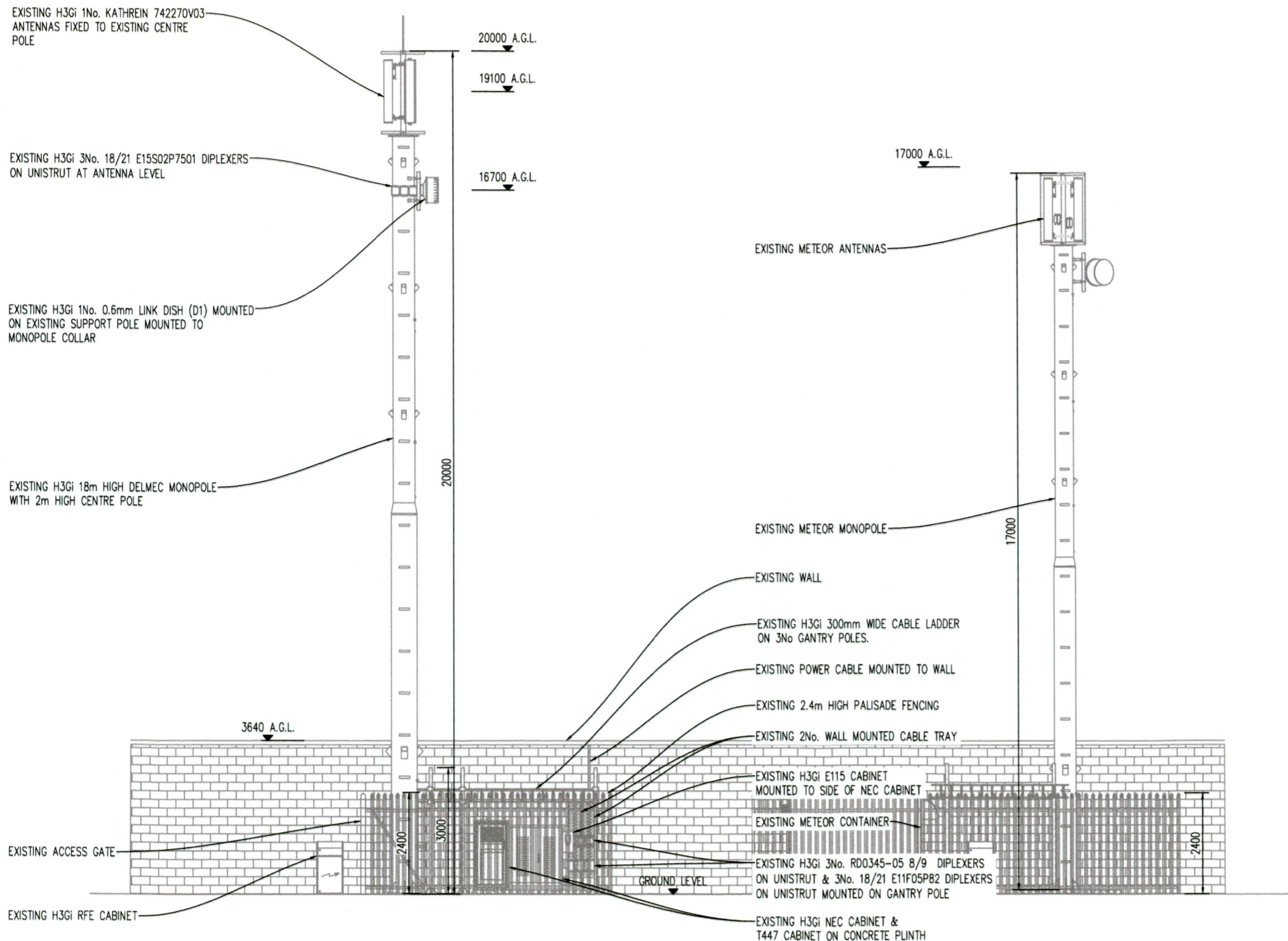


SOUTH-EAST ELEVATION

SCALE 1:100

THE OWNERSHIP AND COPYRIGHT OF THIS DRAWING REMAINS WITH ON TOWER IRELAND LIMITED (An Galileo Telecom Company) AT ALL TIMES. THE DRAWING MAY NOT BE COPIED, DUPLICATED OR PASSED TO THIRD PARTIES WITHOUT THE WRITTEN PERMISSION OF ON TOWER IRELAND LIMITED.

 driving telecom connectivity planning & environmental			
Drawings prepared by Yogi Murthi ENTRUST LTD, Unit 10, Deepport, Business Centre, Oranmore, Co. Galway, H91 X399, TEL: +353 89 1 211 211 contact@entrust-services.com			
 driving telecom connectivity			
PLANNING APPLICATION			
Site ID:	DU0376		
Site Name:	FORTFIELD LANE KIMMAGE		
Site Address:	Unit 1, Fortfield Lane, Fortfield Road, Terenure, Dublin 6W		
TITLE SITE ELEVATION PLAN MOBILE TELECOMMUNICATIONS INSTALLATION			
Designed by:	Date:	23/07/21	Rev.:
Drawn by:	Scale:	AS SHOWN	Rev.:
Dwg No.:		DU0376-P-08	



NORTH-WEST ELEVATION
SCALE 1:100

Notes
 Site Entrance Coordinates
 Irish Grid: E 313216, N 230270
 ITM: E 713157, N 730295
 Site Centre/Mast Location Coordinates and Elevation
 Irish Grid: E 313196, N 230320
 ITM: E 713137, N 730344
 Elevation: 45m A.S.L.
 A.S.L - Above Sea Level
 A.G.L - Above Ground Level
 All Dimensions are in mm unless specified

A	PLANNING APPLICATION DRAWING	23.07.21	YM	L
No.	Revision	Date	By	Ckd

entrust
 planning & environmental

Drawings prepared by Yagi Murthi
 ENTRUST LTD. Unit 10, Deerpark Business Centre, Oranmore,
 Co. Galway, H91 X599, TEL: +353 85 1 211 211
 contact@entrust-services.com

cellnex
 driving telecom connectivity

On Tower Ireland Limited, Suite 311 Q-House, Furze
 Road, Sandford Industrial Estate, Dublin 18, D18 YW50

PLANNING APPLICATION

Site ID.	DU0376
Site Name.	FORTFIELD LANE KIMMAGE
Site Address.	Unit 1, Fortfield Lane, Fortfield Road, Terenure, Dublin 6W

Title
 SITE ELEVATION PLAN
 MOBILE TELECOMMUNICATIONS
 INSTALLATION

Designed	YM	Date	23/07/21
Drawn	YM	Scale	AS SHOWN
Dwg No.	DU0376-P-07	Rev.	A