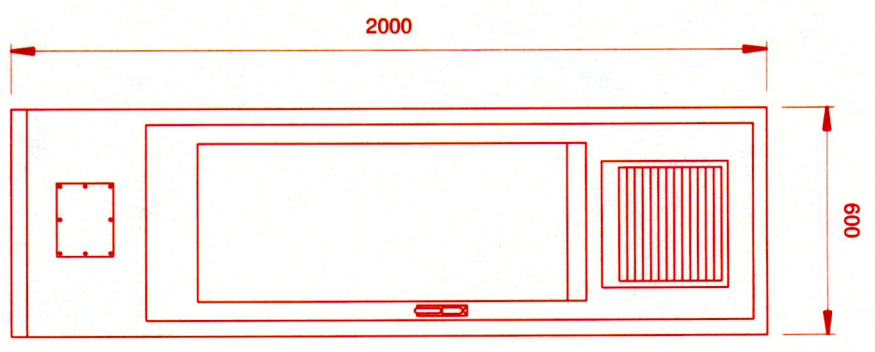
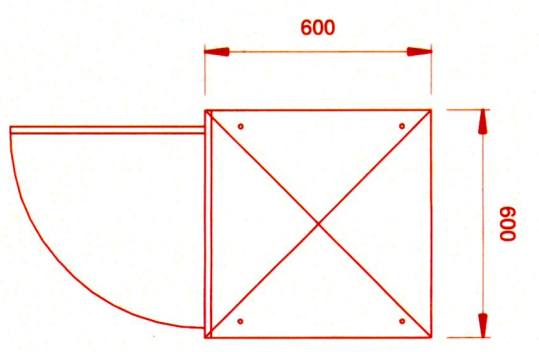


- Notes**
1. Do not scale. Measurements are indicative only.
 2. All dimensions are in millimeters unless noted otherwise.
 3. Assume all site details are existing unless otherwise specified.



Elevation View



Plan View

Single Bay Cabinet Details
1 : 20

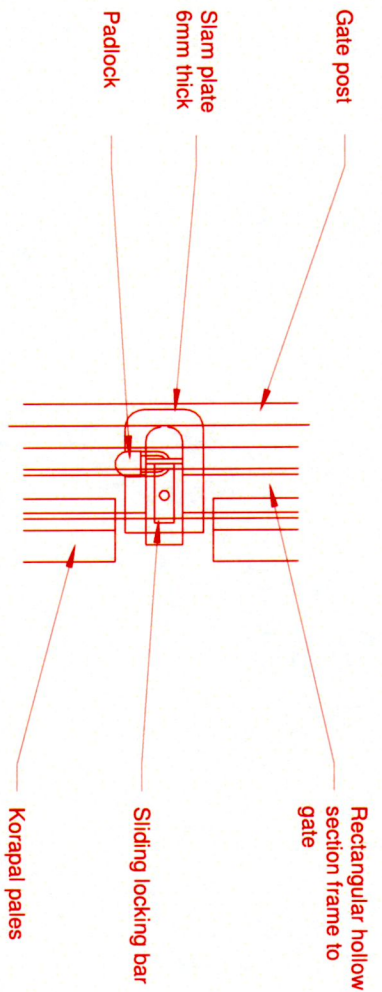
1.0	Full Planning	08.01.2020
Rev	Description	Date
	Oskar Leszczynski	SB
		LOC
	Drawn by	D. Ciel
		R. Ciel

TOWERCOM
Usher House, Main Street,
Dundrum, Dublin 14.

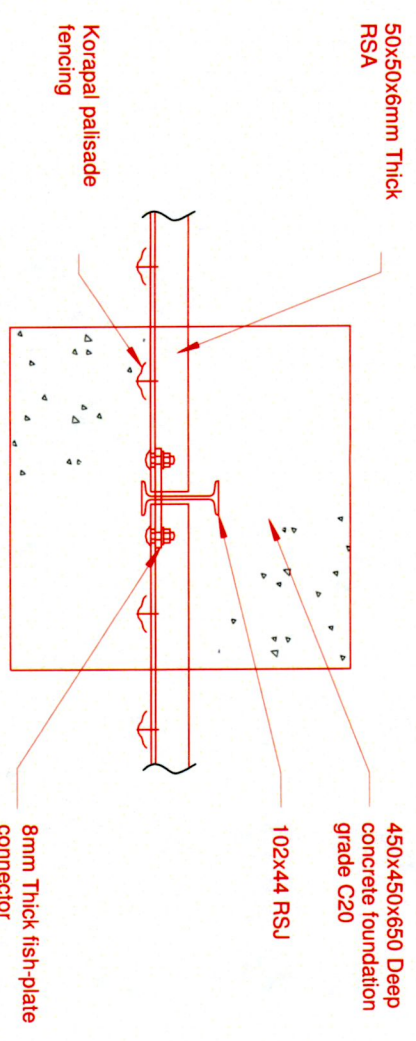
Title: Single Bay Cabinet Detail

Scale: As Shown A3 Print Sheet No: 01
Dwg No: TL_Single Bay Cabinet - Rev.1.0

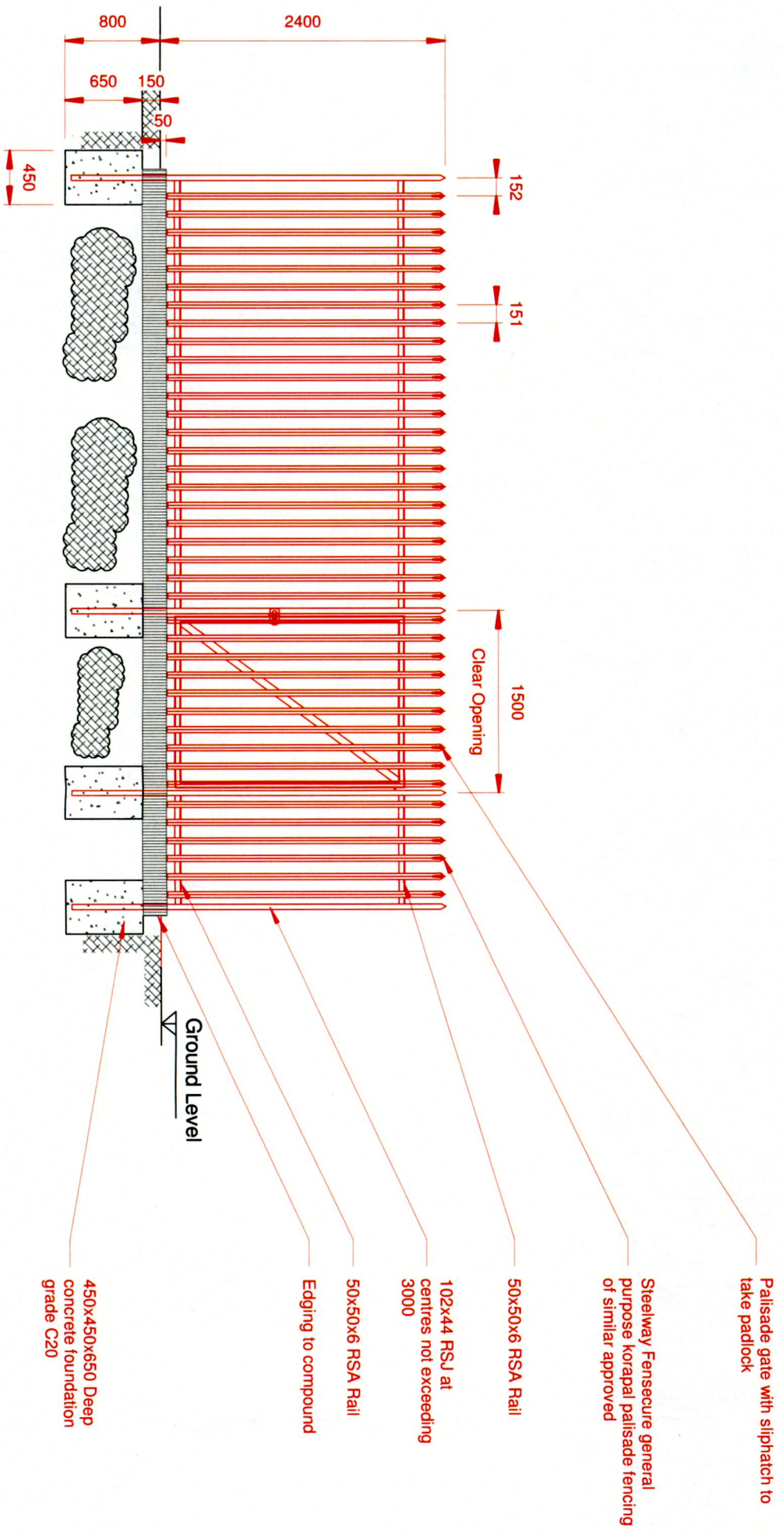
- Notes**
1. Do not scale. Measurements are indicative only.
 2. All dimensions are in millimeters unless noted otherwise.
 3. Assume all site details are existing unless otherwise specified.



Gate Padlock Elevation - Detail
1 : 5



Rail Connection To RSJ Plan - Detail
1 : 10



Palisade Fencing Detail
1 : 50

1.0	Full Planning	07.02.2020
Raw	Description	Date
Oskar Leszczyński	SB	LOC
Drawn by	D.Chd	R.Chd

TOWERCOM
Usher House, Main Street,
Dundrum, Dublin 14.

Title: Palisade Fencing

Scale: As Shown A3 Print Sheet No. 01
Dwg No: TL_Palisade Fencing-Rev.1.0

This drawing is the property of Towercom Ltd and must not be copied, traced or reproduced without their consent.