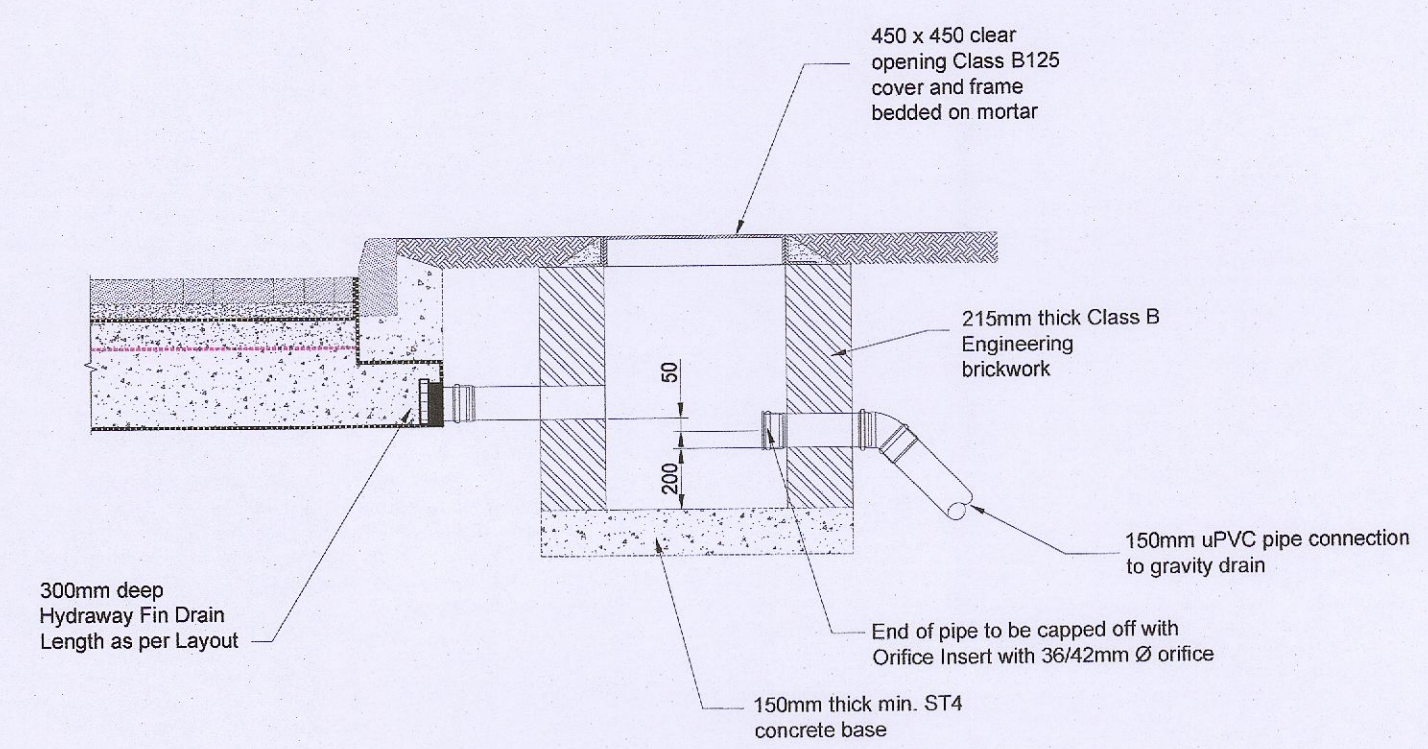


THE TRENCH WILL BE BACKFILLED AND COMPACTED AFTER PLACING THE GEOMEMBRANE IN POSITION

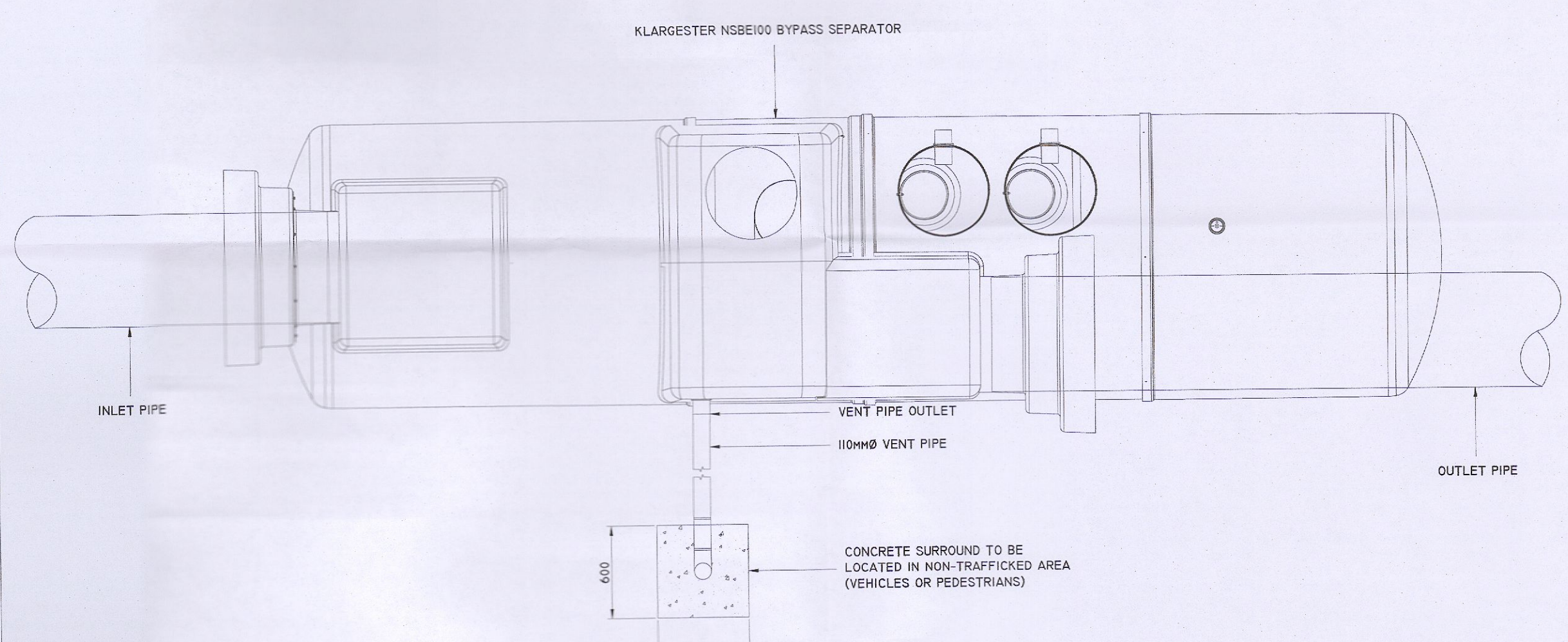
Note 1  
GROUND TO BE PREPARED TO ENGINEERS SPECIFICATION BEFORE INSTALLATION OF GEOMEMBRANE

Note 2  
TRENCH DEPTH MAY VARY TO SUIT PROJECT REQUIREMENTS

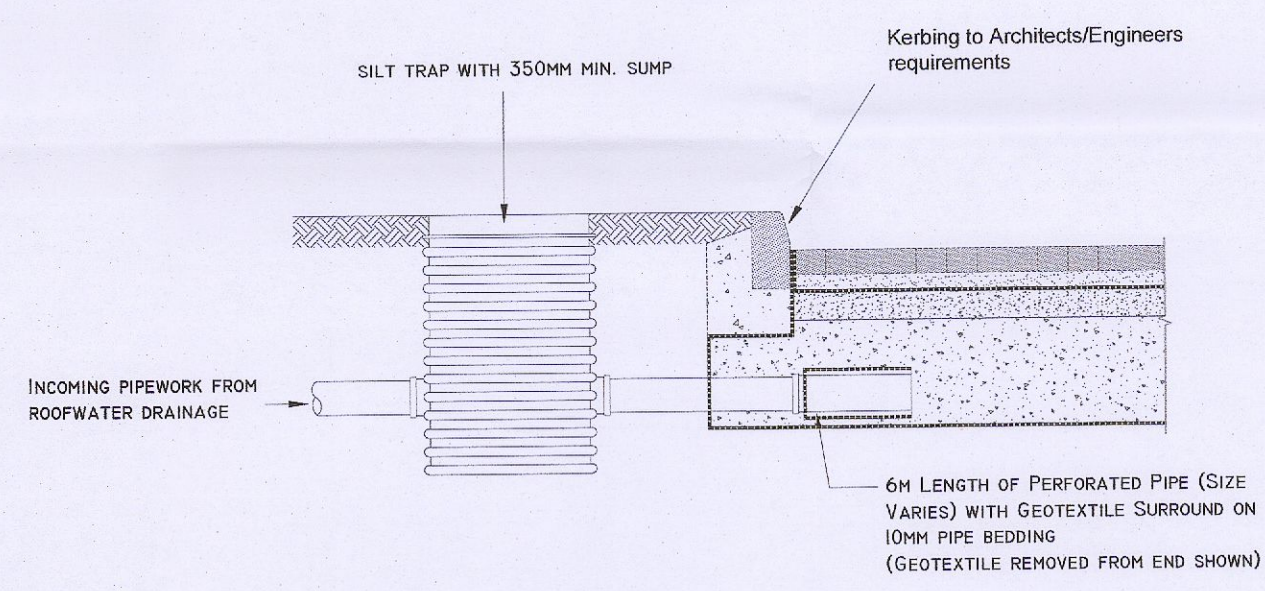
SUDS POND TYPICAL SECTION



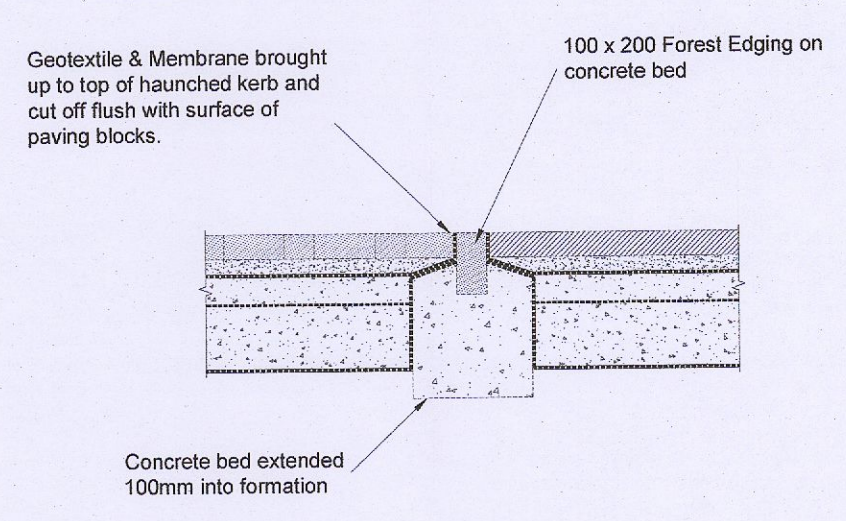
TYPICAL OUTLET DETAIL



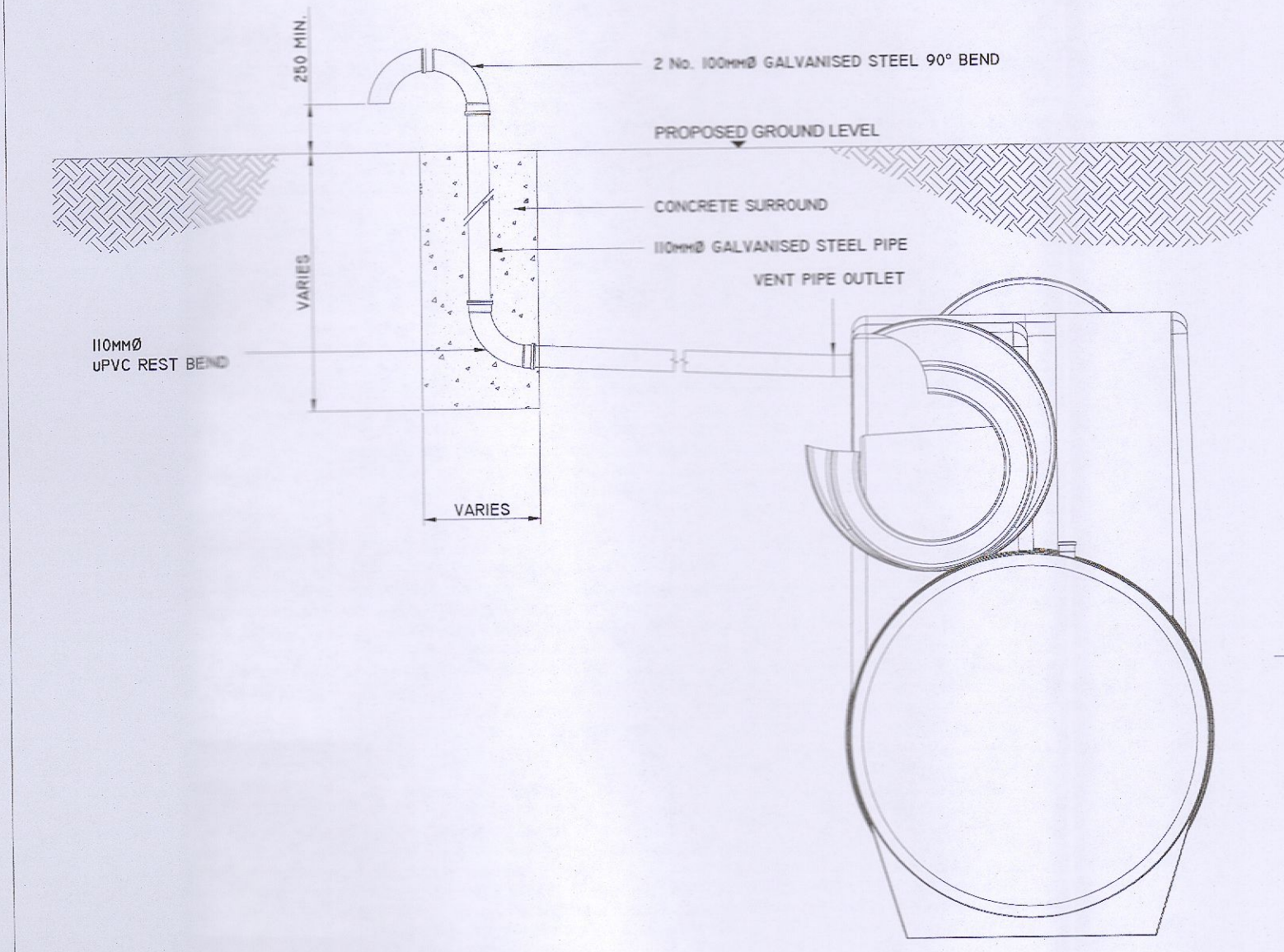
TYPICAL PETROL INTERCEPTOR VENT PIPE DETAIL: PLAN



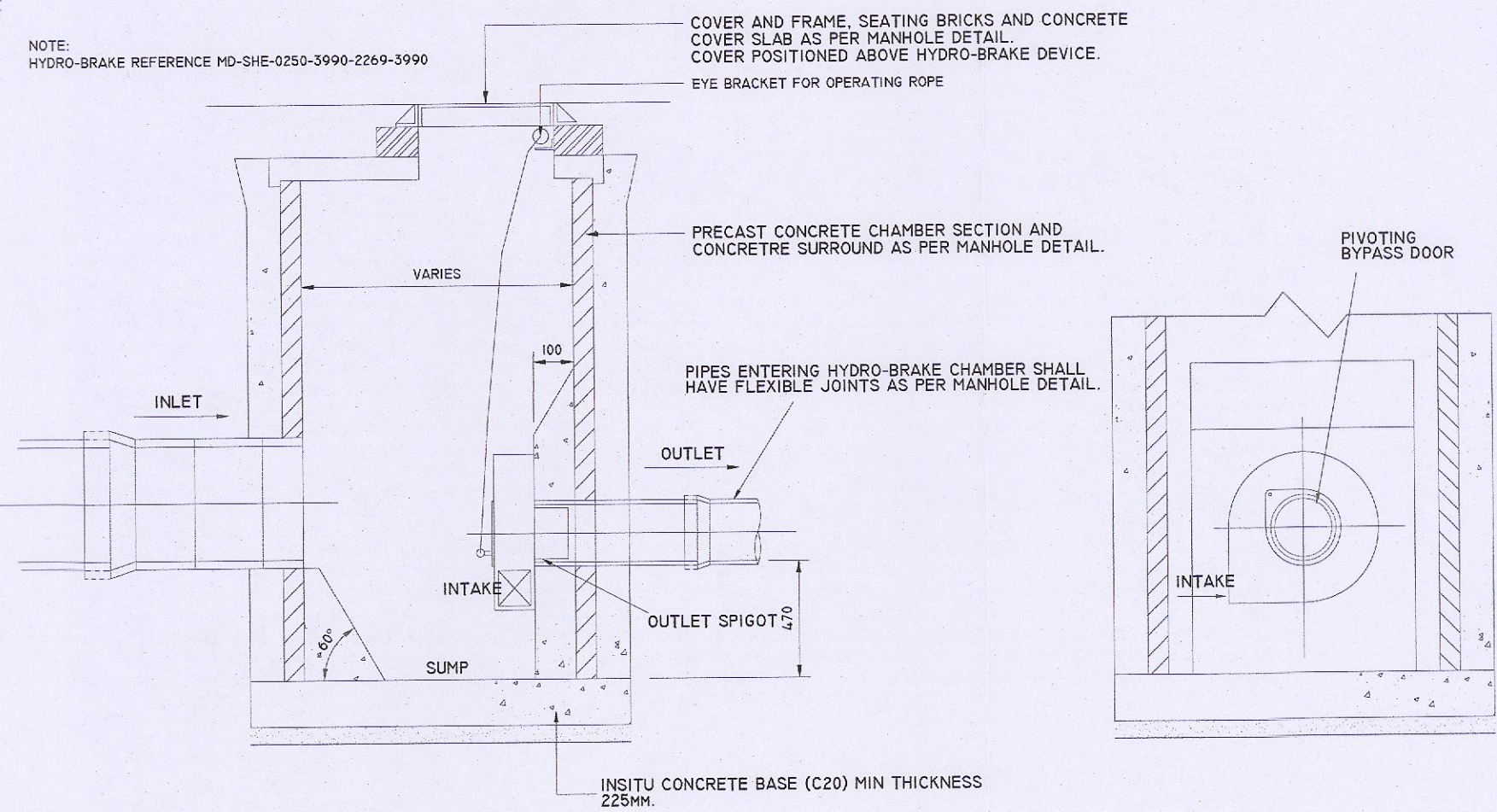
TYPICAL INLET DETAIL FOR DISTRIBUTION BOX



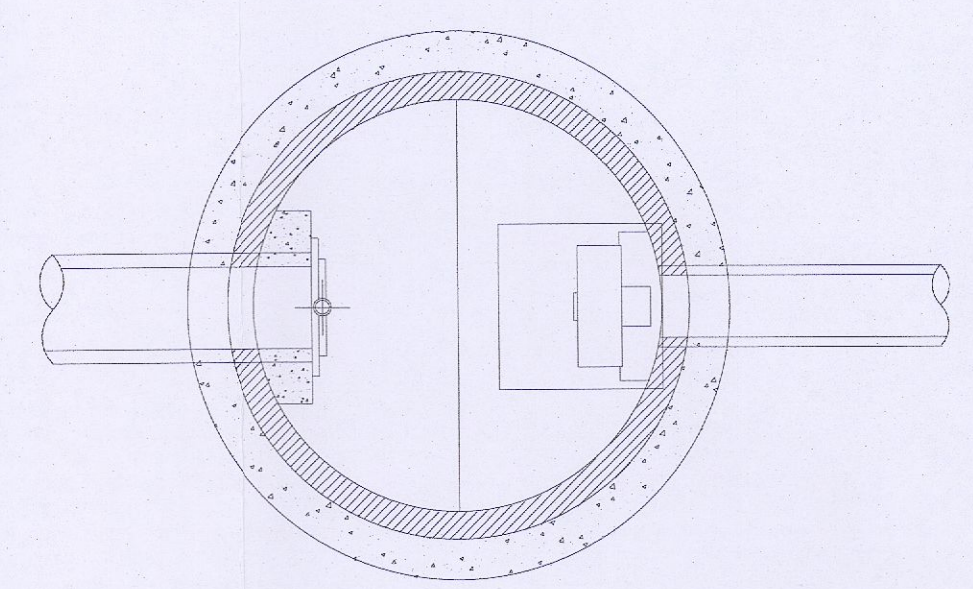
FULL HEIGHT RESTRAINT DETAIL



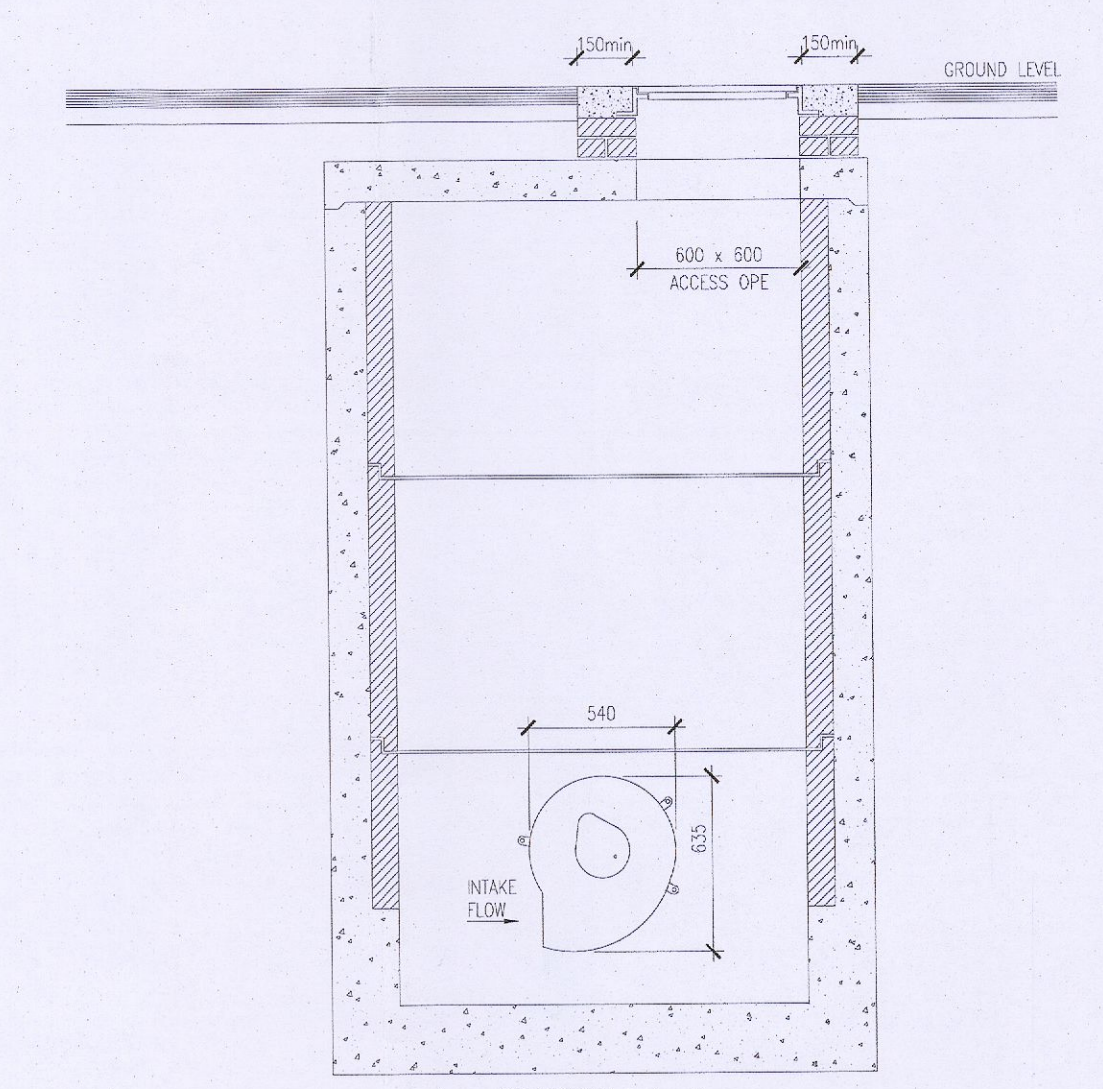
TYPICAL PETROL INTERCEPTOR VENT PIPE DETAIL: ELEVATION



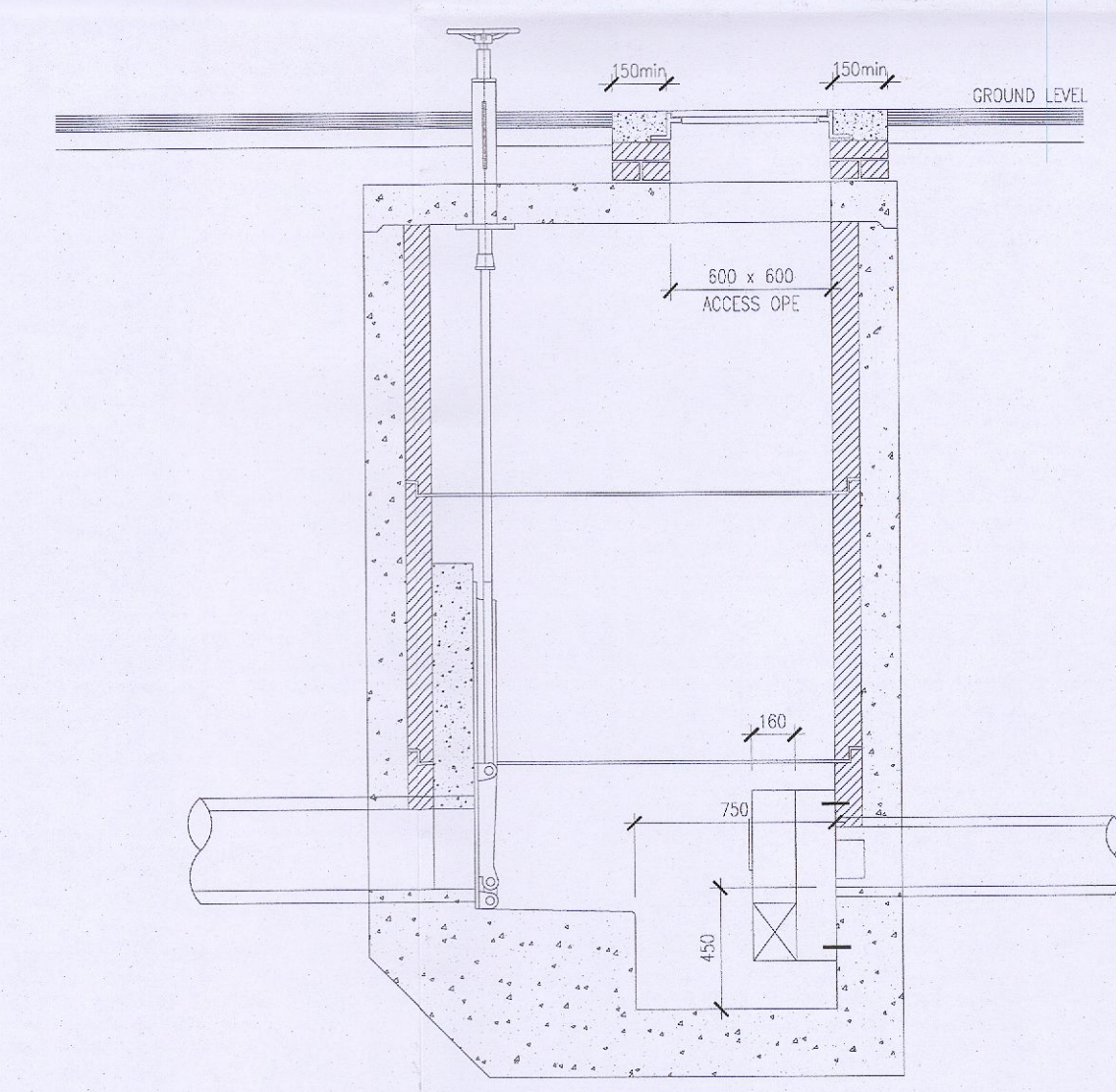
TYPICAL HYDRO-BRAKE MANHOLE DETAILS



PLAN FLOW CONTROL MANHOLE DETAIL SCALE 1:25



SECTION A-A FLOW CONTROL MANHOLE DETAIL SCALE 1:25



SECTION B-B FLOW CONTROL MANHOLE DETAIL SCALE 1:25

Client: EQUINIX

HAZARD IDENTIFICATION LEGEND:

HAZARD IDENTIFICATION (if none state 'none relevant')	CONTROL AND MITIGATION MEASURES

NOTE: Hazards listed above are only those considered significant risks and:

a) not likely to be obvious to a competent contractor or other designers;  
 b) unusual; or  
 c) likely to be difficult to manage effectively

NOTE: REFER DRAWING DB080-PIN-00-ZZ-DR-C-PLAN-1295 FOR SUDS CATCHMENT LAYOUT AND SUDS FEATURES

REFER DRAWING DB080-PIN-00-ZZ-DR-C-PLAN-1207 FOR SURFACE WATER DRAINAGE LAYOUT

PLANNING REGISTRATION REFERENCE: SD21A/0186

**DESIGN ISSUE**  
 THE DESIGN IS SUBJECT TO PLANNING APPROVAL AND DETAILED DESIGN.

REV	DATE	DESCRIPTION	DWN	CHK	APP
P03	08.02.22	CP RESPONSE	FAVRUM		
P02	17.08.21	ISSUED FOR TENDER	FAVRUM		
P01	02.02.22	ISSUED FOR APPROVAL	FAVRUM		

Key:

Project: EQUINIX DB081

Drawing Title: SUDS DETAILS

Drawing Number: DB080-PIN-00-ZZ-DR-C-PLAN-1296

Scale: 1:500 Paper Size: A1 Purpose: D2 Revision: P03

**PINNACLE**  
 CONSULTING ENGINEERS

SIXTH FLOOR PROSPECT HOUSE 100 NEW OXFORD STREET LONDON WC1A 1HB Tel: 0207 0433410