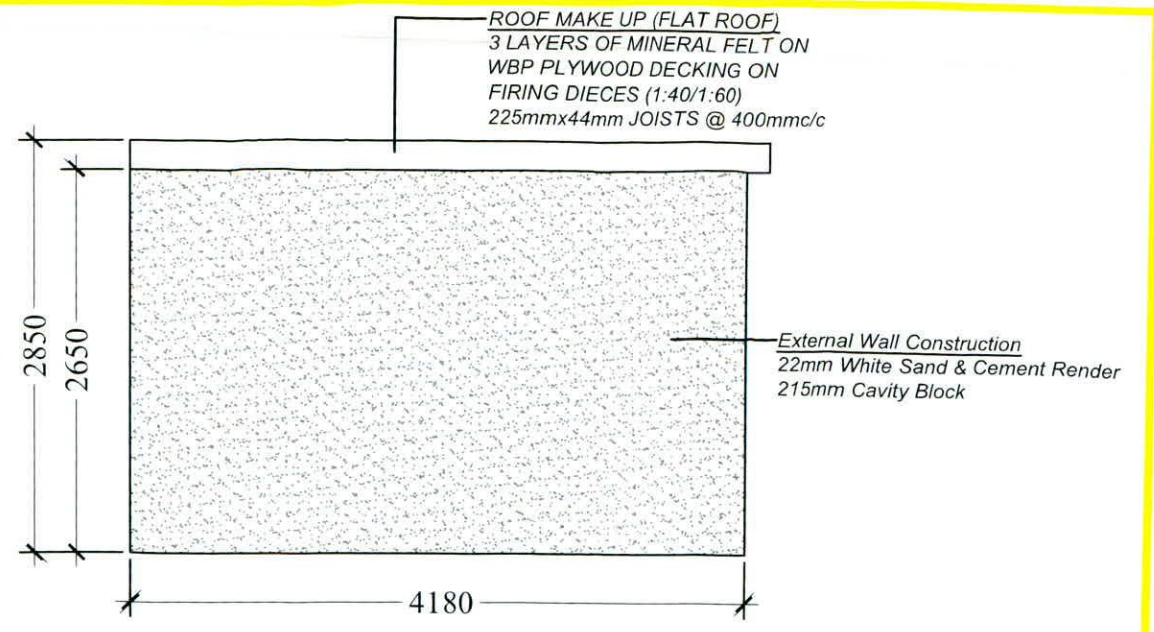
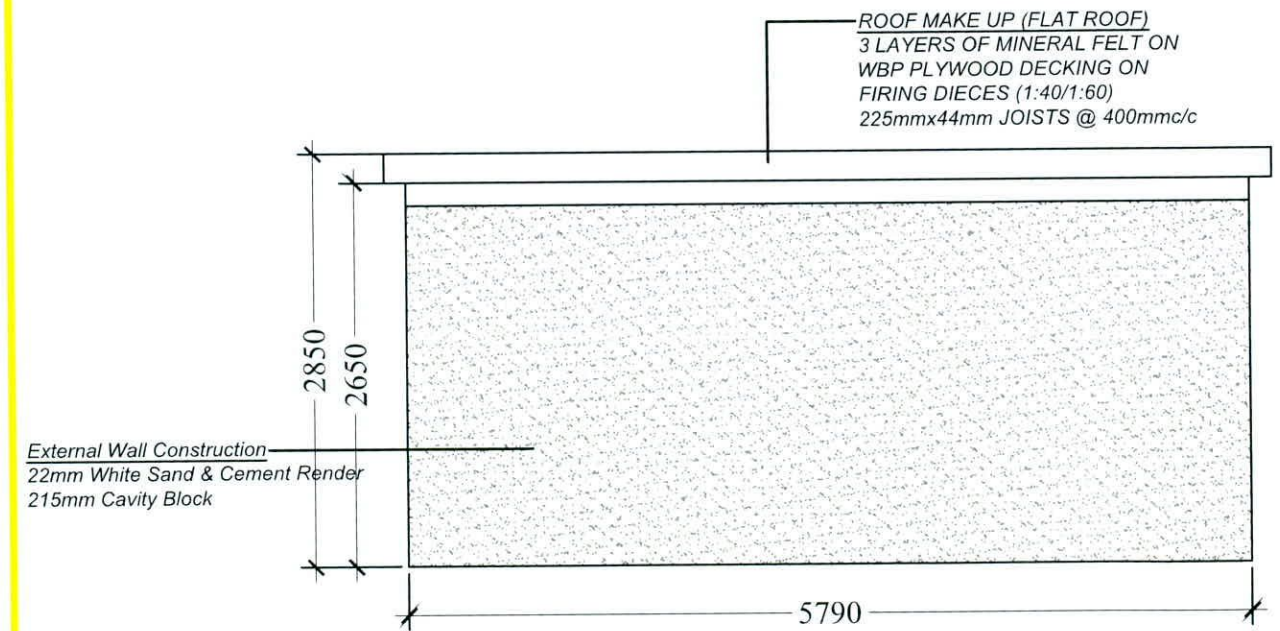


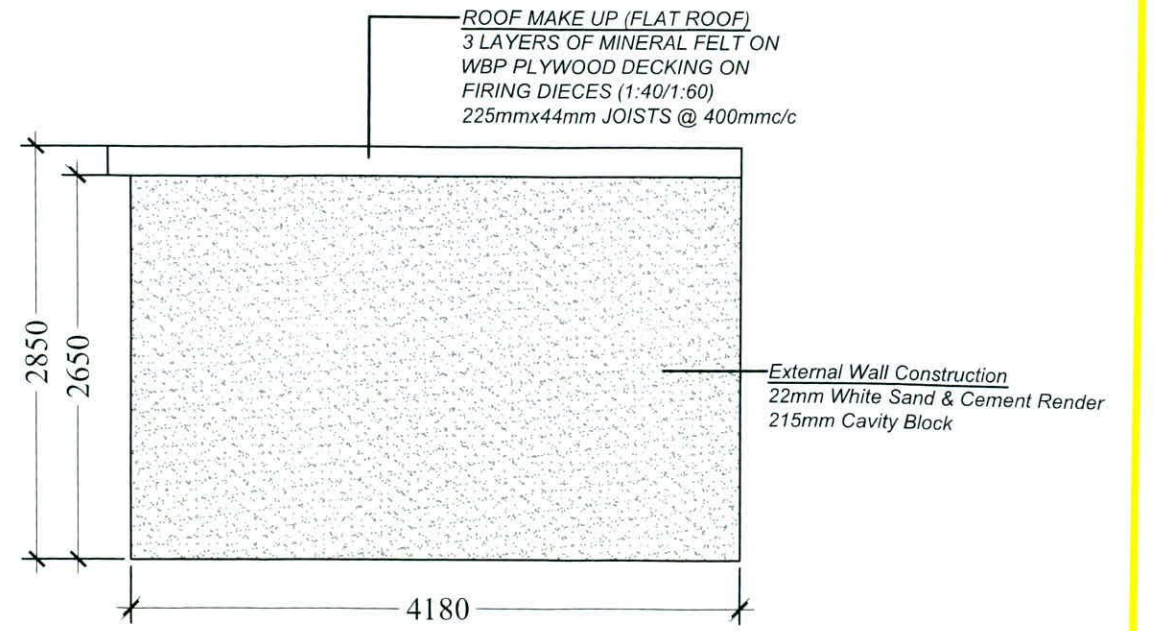
Existing Front Elevation
Existing Concrete Block Shed



Existing Side Elevation
Existing Concrete Block Shed



Existing Rear Elevation
Existing Concrete Block Shed



Existing Side Elevation
Existing Concrete Block Shed

Retention Permission

THIS DRAWING IS ISSUED FOR RETENTION PERMISSION ONLY.

ALL BUILDING WORK TO BE CARRIED OUT IN ACCORDANCE WITH ENGINEERS DETAILS & CURRENT BUILDING REGULATIONS

CONTRACTORS MUST VERIFY ALL DIMENSIONS ON SITE BEFORE COMMENCING ANY WORK. NO WORKING DIMENSIONS TO BE SCALED. DIMENSIONS TO BLOCKWORK ONLY. THIS DRAWING AND DESIGN IS COPYRIGHT AND IS THE PROPERTY OF 1ST CHOICE BUILDERS.

R1	Issued For Retention Permission	JW	JW	Oct' 2022
REV:	REVISION TITLE:	DRN:	CHD:	DATE:

APPLICANT: **Martina Lennon**

Jason Walsh
Architectural & Engineering
12 ARD MOR CRESCENT
TALLAGHT
DUBLIN 24
PHONE: 085 8070 432
EMAIL: GJL.SERCIVES@GMAIL.COM

JOB TITLE:
Retention Of Two Number Sheds At,
99 Boot Road,
Clondalkin,
Dublin 22.

DRAWING TITLE:
Existing Elevations
(Concrete Block Shed)

SCALE: **1:50** INITIALS: **JW** DATE: **02.10.22**

JOB No: **ML-22** DRAWING No: **ML-22-03** REV: **R1**