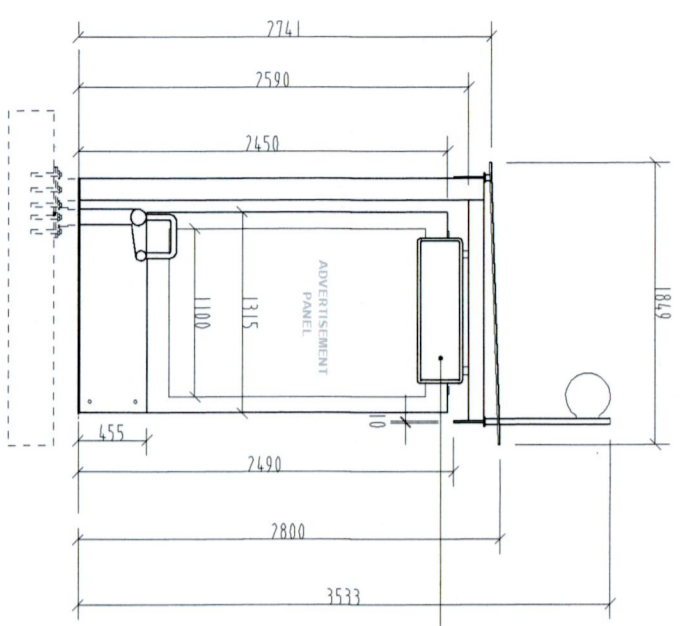
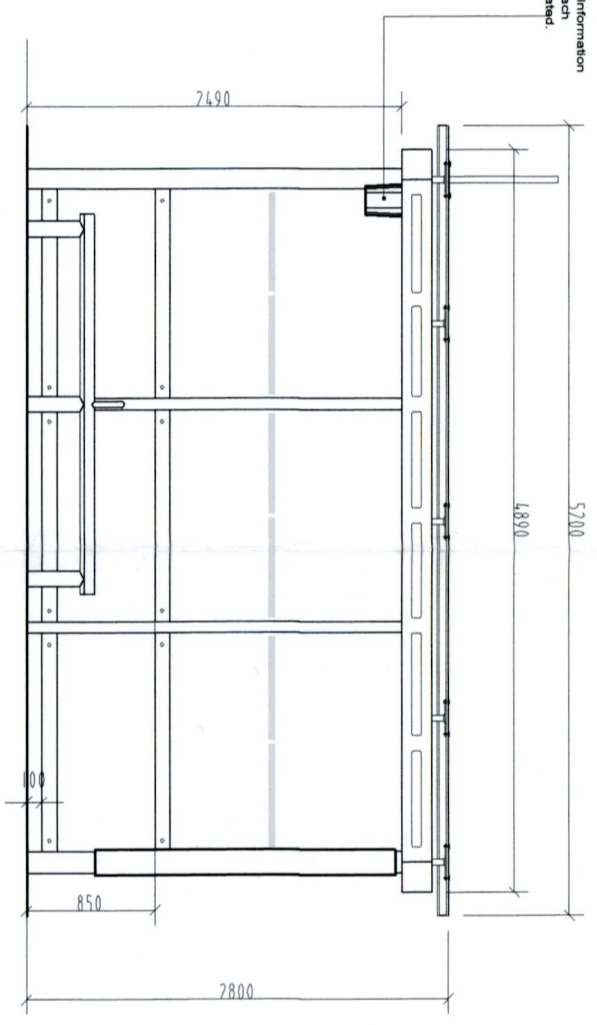


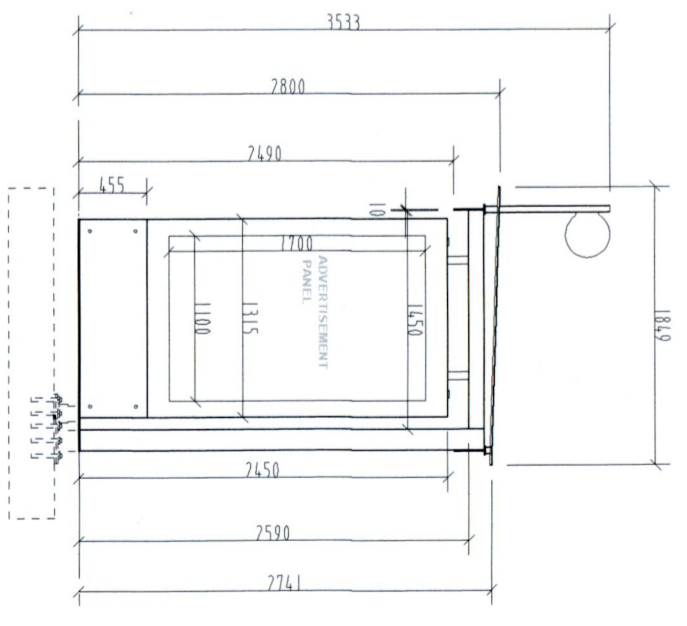
Real Time Passenger Information unit attached to approach end of shelter as indicated.



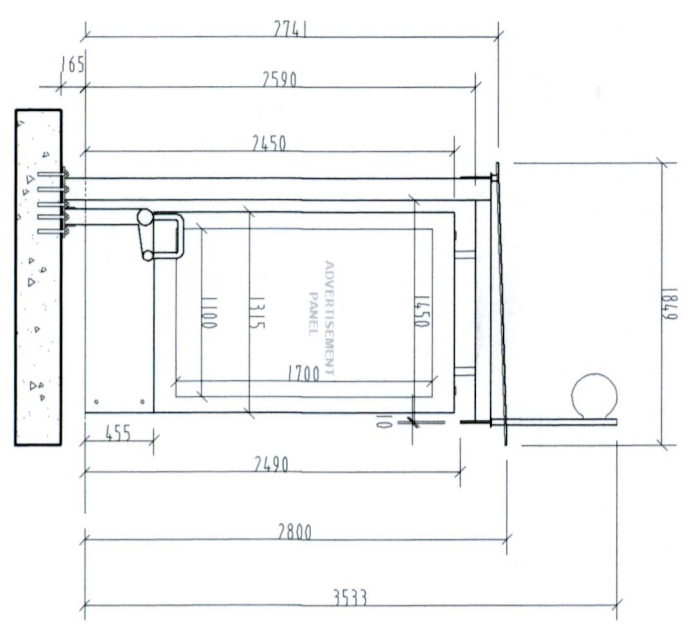
END ELEVATION (Approach End)



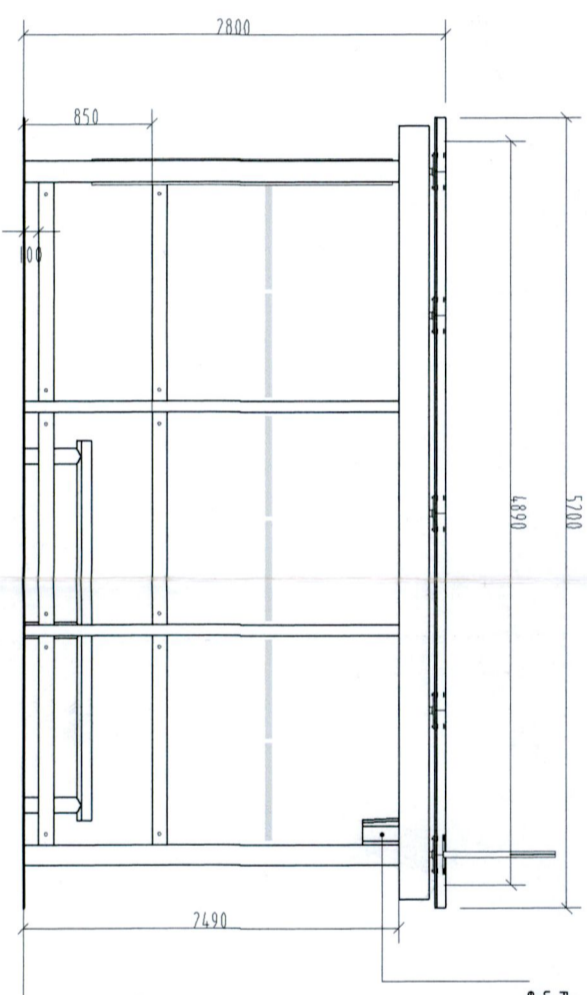
FRONT ELEVATION (ON SECTION LINE A - A)



END ELEVATION (Departure End)

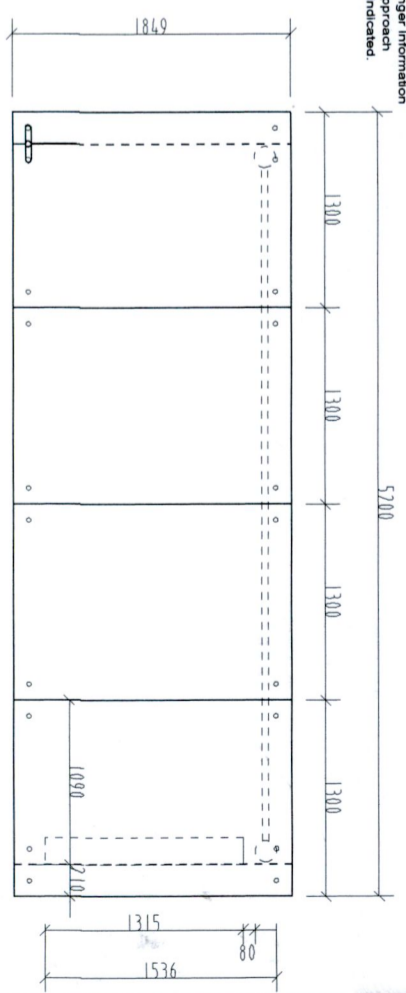


SECTION



REAR ELEVATION

Real Time Passenger Information unit attached to approach end of shelter as indicated.



PLAN (SHOWING ROOF OVER)



**SHELTER TYPE**  
3 Bay Reliance full width shelter with Advertising panel at departure end

Drawing Prepared by Enda Sheehy & Associates for:  
**JCDecaux Ireland,**  
6 Sandycroft Park, Burton Hall Road, Leopardstown, Dublin 18.  
Tel : 01 295 8170. Fax : 01 295 8177. www.jcdecaux.ie

**PROPOSED NEW BUS SHELTER**  
AT BUS STOP No. 1322 GRANGE ROAD ( OPPOSITE No.9 grange Rd. ), RATHFARNHAM, DUBLIN 14.  
FOR THE NATIONAL TRANSPORT AUTHORITY.

DATE	130	DATE	24th April 2012
LOCATION NO.	1322		
DRAWING NO.	JCD-751-22-1322-01		