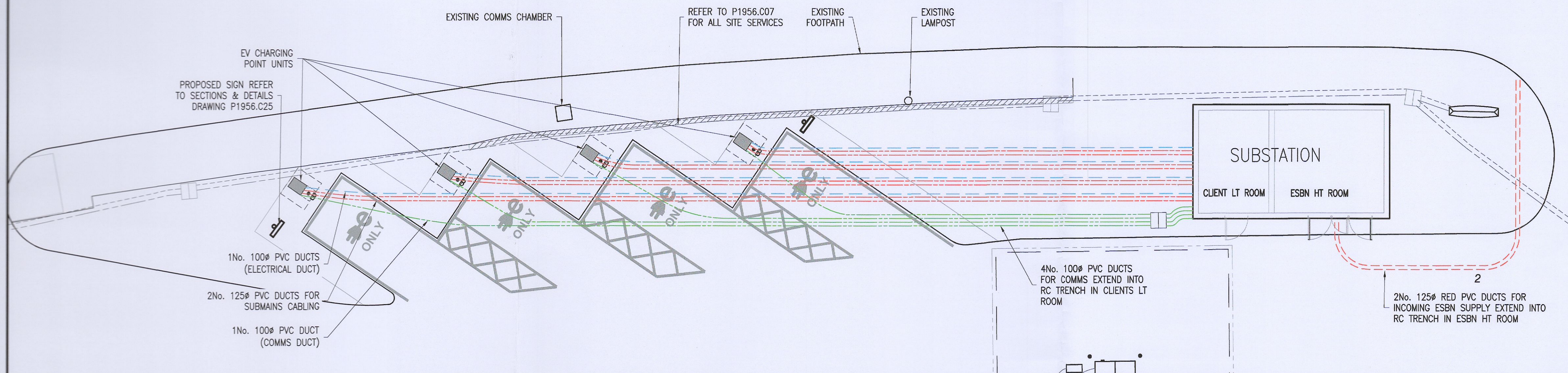


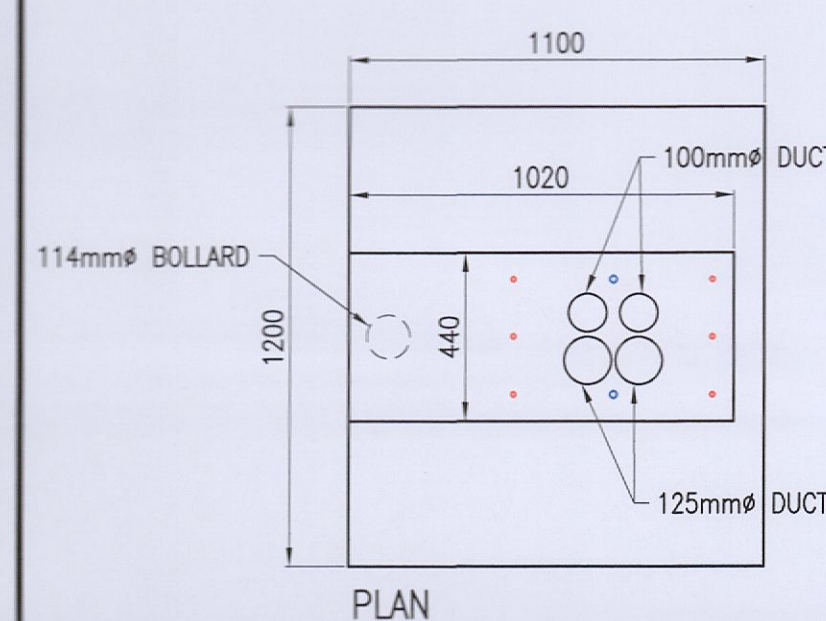


NOTES:  
 THIS DRAWING IN WHOLE OR IN PART SHALL NOT BE COPIED WITHOUT THE PRIOR PERMISSION OF McARDLE DOYLE LTD.  
 ALL WORKS TO COMPLY WITH THE CURRENT BUILDING REGULATIONS.  
 DO NOT SCALE.  
 ORDNANCE SURVEY IRELAND LICENCE No. AR 0105722  
 © ORDNANCE SURVEY IRELAND / GOVERNMENT OF IRELAND

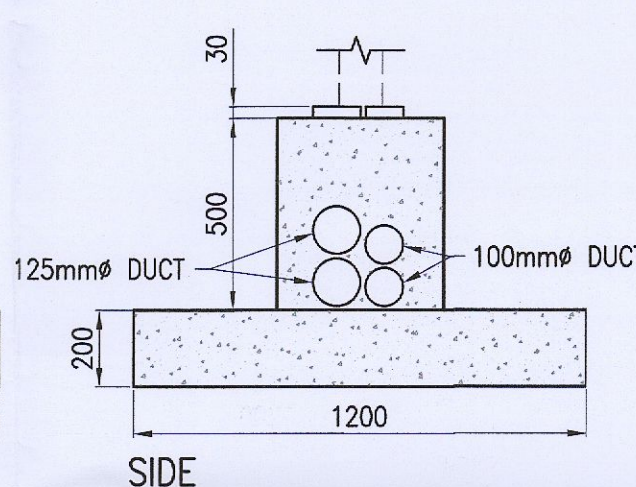
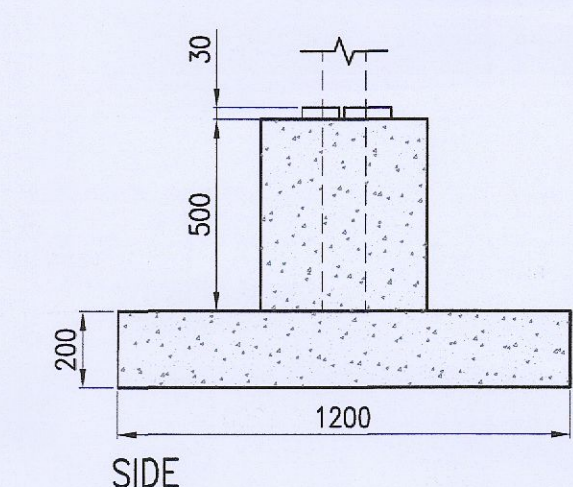
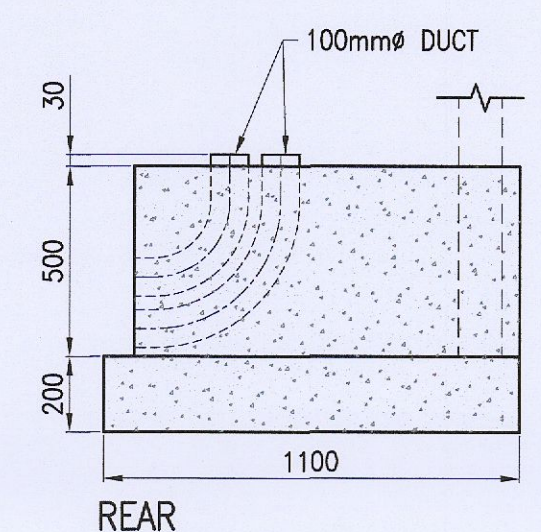
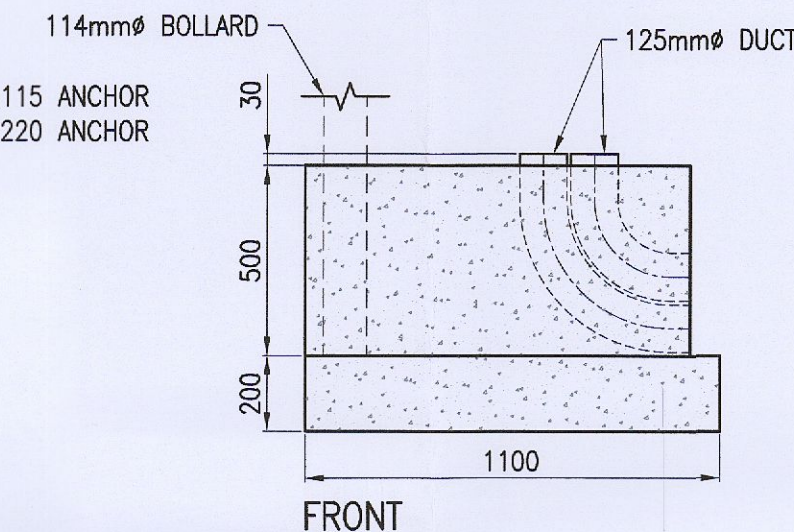
EV CHARGING LEGEND	
	125mmØ DUCT
	160mmØ DUCT
	100mmØ COMMUNICATIONS DUCT
	100mmØ ELECTRICAL DUCT (POWER)



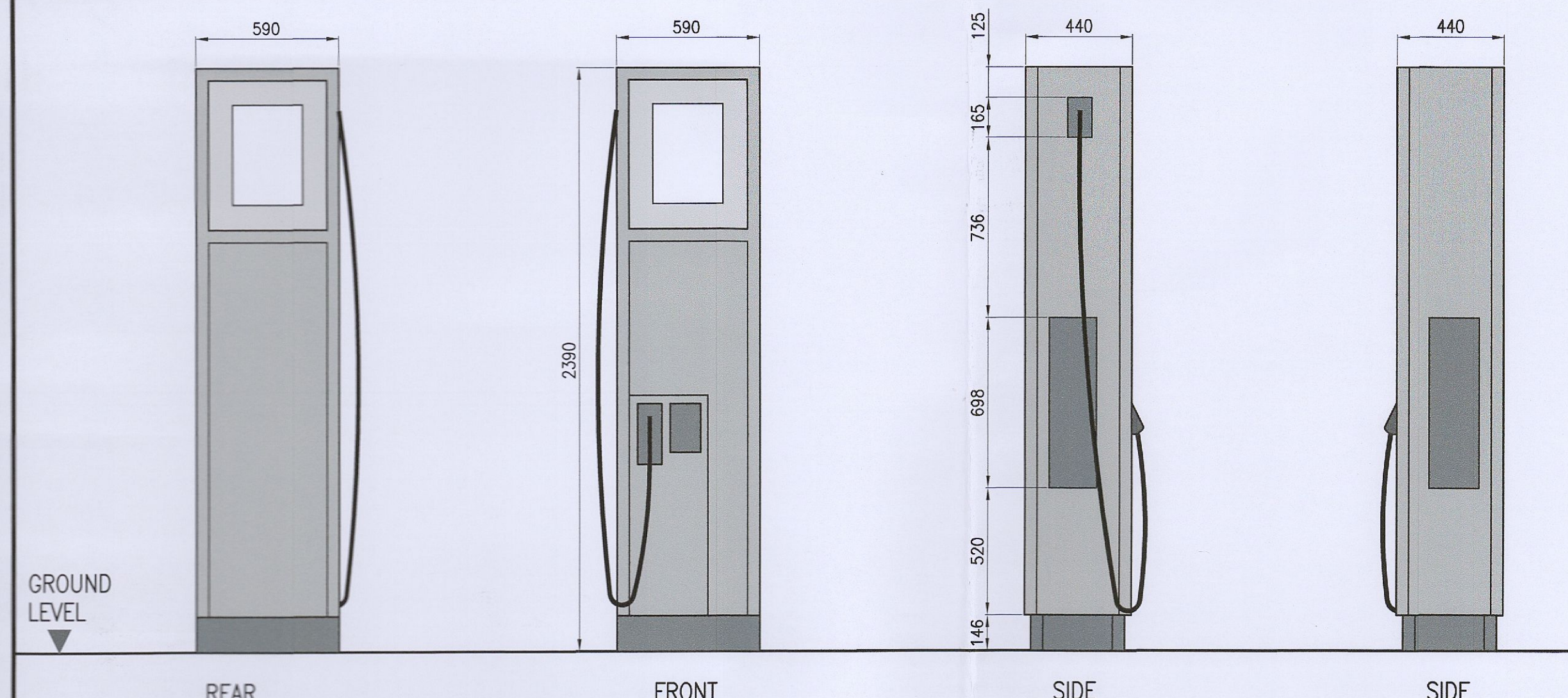
0.6M X 0.75M, SIGNAGE AREA = 0.9 SQ.M  
 (0.45 SQ.M, 1 FACE)



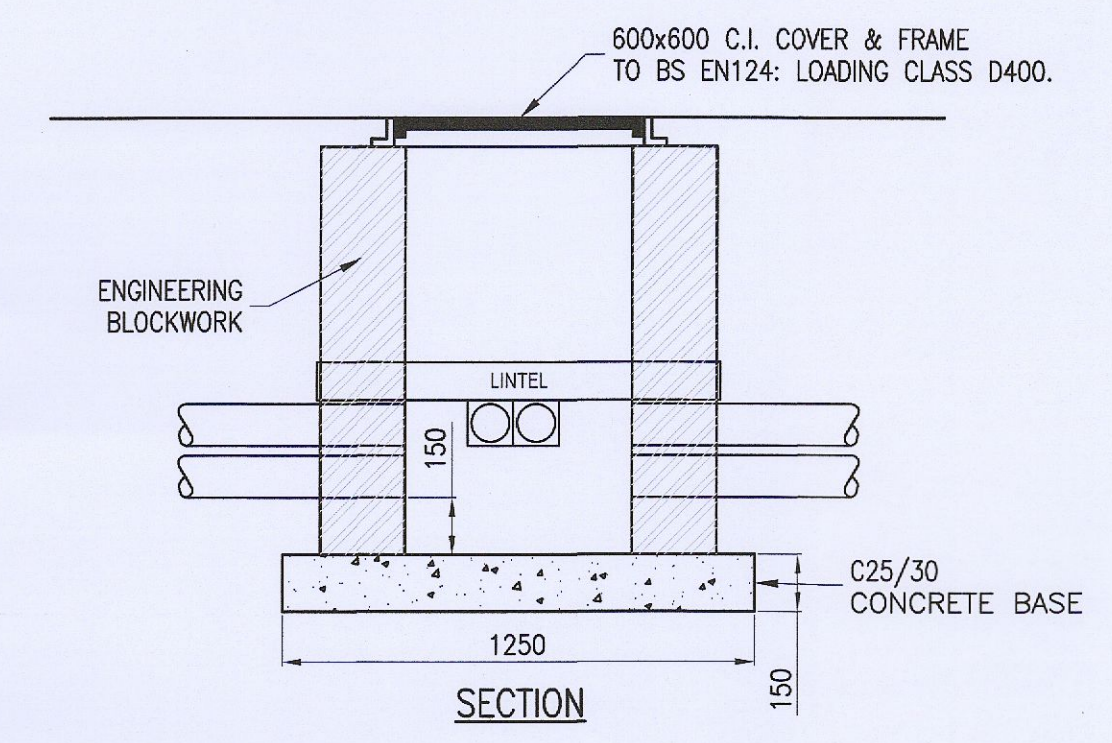
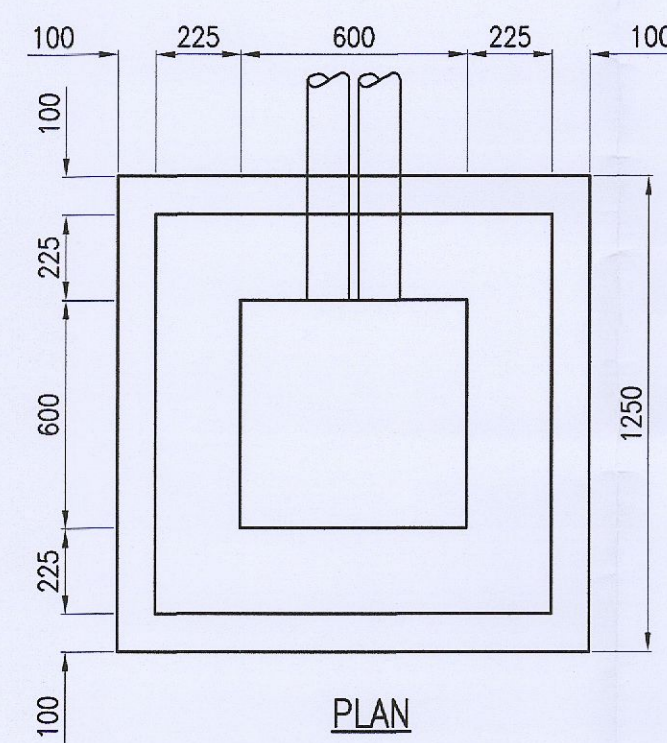
LEGEND:  
 ● M12x115 ANCHOR  
 ● M16x220 ANCHOR



CHARGING STATION FOUNDATION DETAILS  
 SCALE 1:20

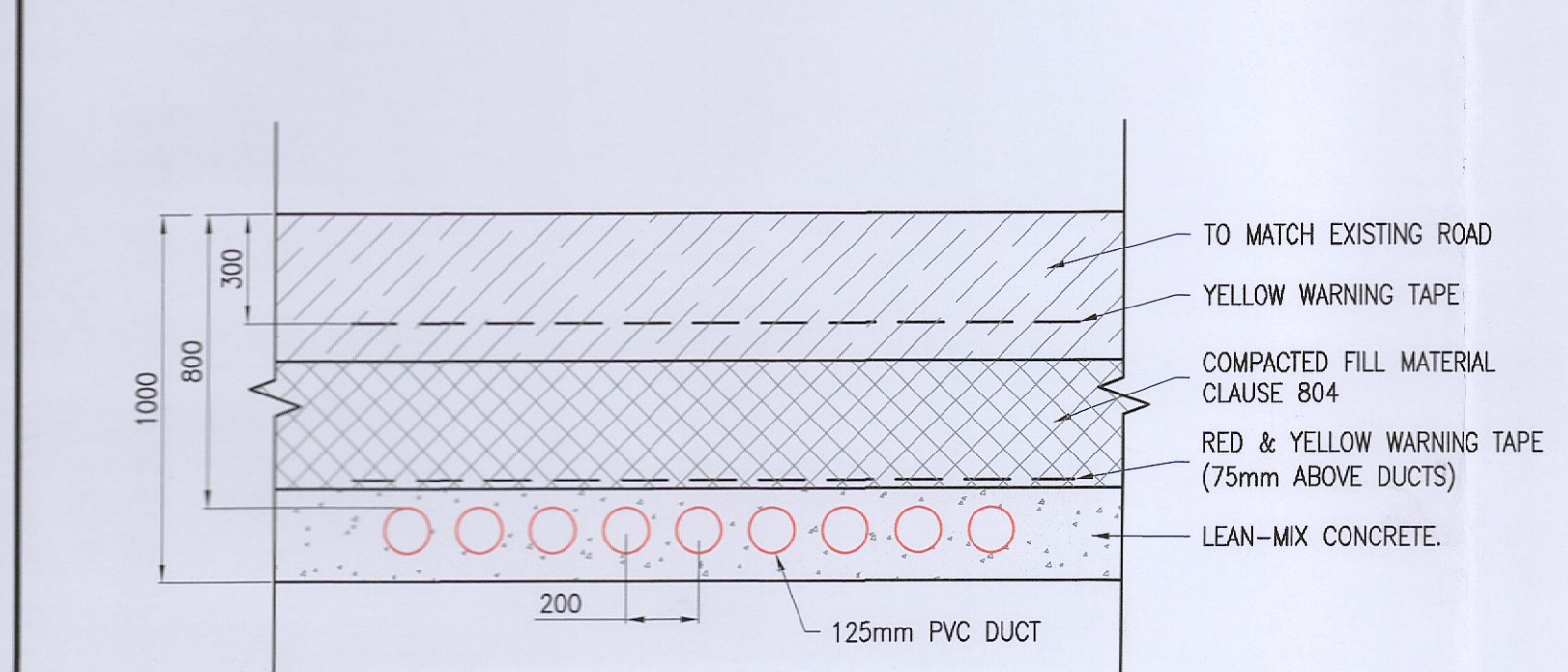


CHARGING STATION UNIT ELEVATIONS  
 SCALE 1:20

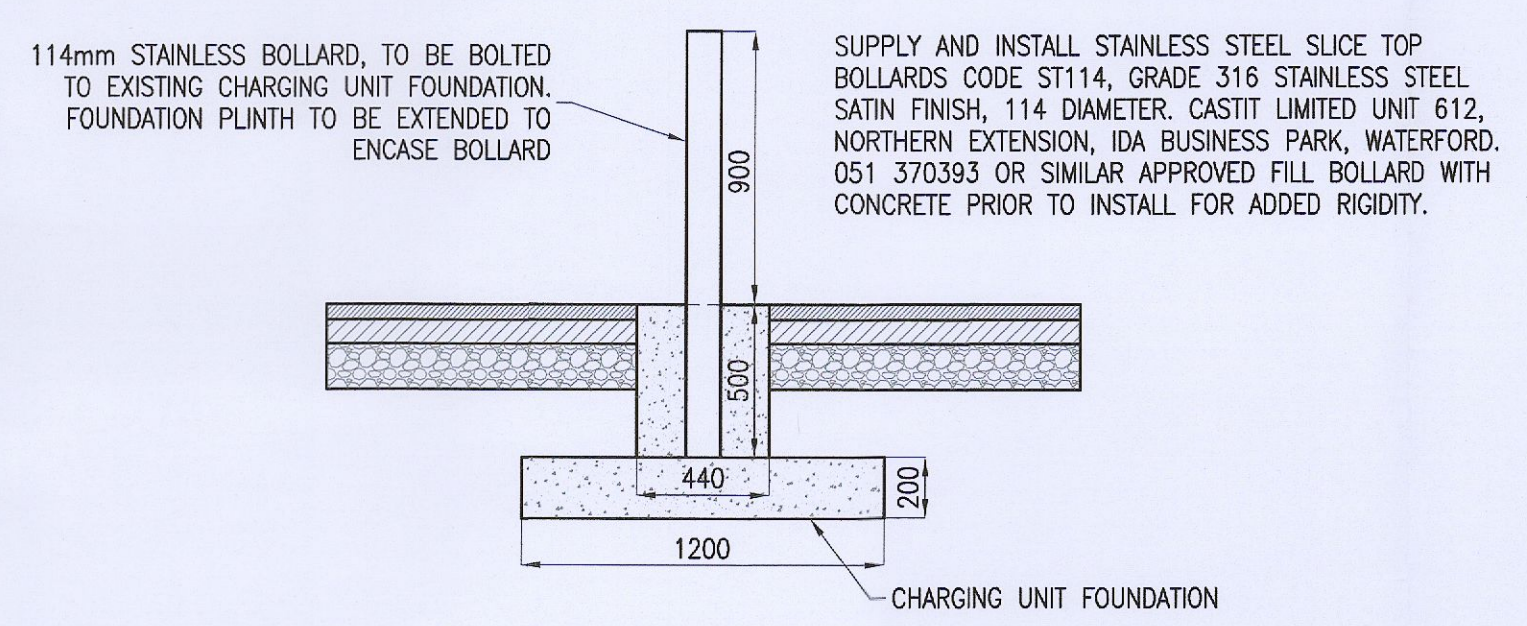


- 600x600mm DUCT CHAMBERS TO BE USED AT LOCATION OF BUILDING CONNECTION POINTS.
- DUCT LINES CONNECTING BUILDINGS TO MAINS SHOULD INCLUDE 2 No. 32mm DUCTS INSIDE MAIN 110mm DUCT.
- DUCT CHAMBER COVERS SHOULD NOT DISPLAY UTILITY NAME OR LOGO.

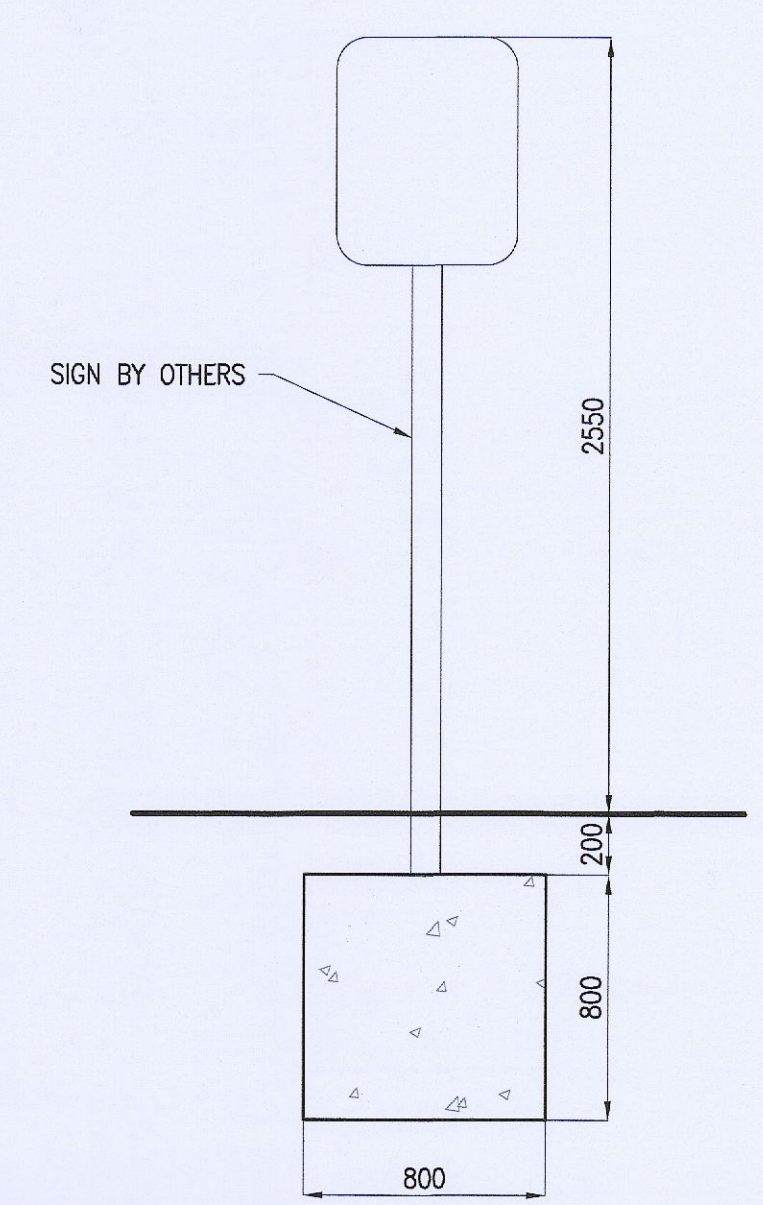
600x600 DUCT CHAMBER  
 SCALE 1:20



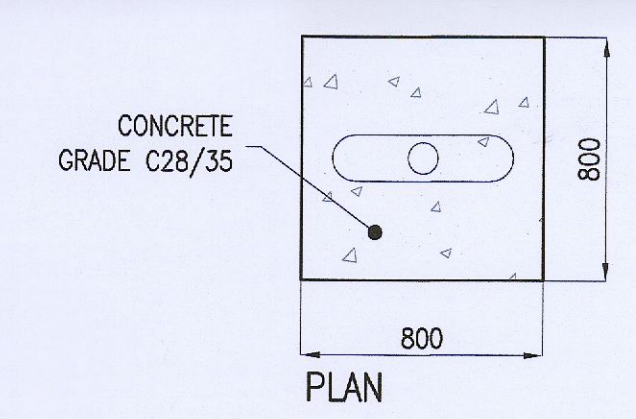
TYPICAL TRENCH DETAIL  
 SCALE 1:20



STAINLESS STEEL BOLLARD AT CHARGING UNITS  
 SCALE 1:25



ELEVATION



TYPE B SIGN FOUNDATION DETAILS  
 SCALE 1:25

Rev.	Description	By	Date
-	ISSUED FOR PLANNING	GDR	09.09.22

**McArdle Doyle**  
 Second Floor Exchange Building The Long Walk Dundalk, Co. Louth  
 Chartered Engineers Architectural Services & Project Managers  
 mail@mcardle-doyle.ie +353(0) 42 942 8052

PROJECT:  
**UNMANNED SERVICE STATION, LIFFEY VALLEY**

CLIENT:

DRAWING TITLE:  
**PROPOSED EV CHARGING SERVICES DETAILS**

Date 09/09/22	Drawn GDR	Checked RMA	Approved RMA
Scale at A1 AS SHOWN	Drawing Number P1956.C23	Status PL	Rev. -