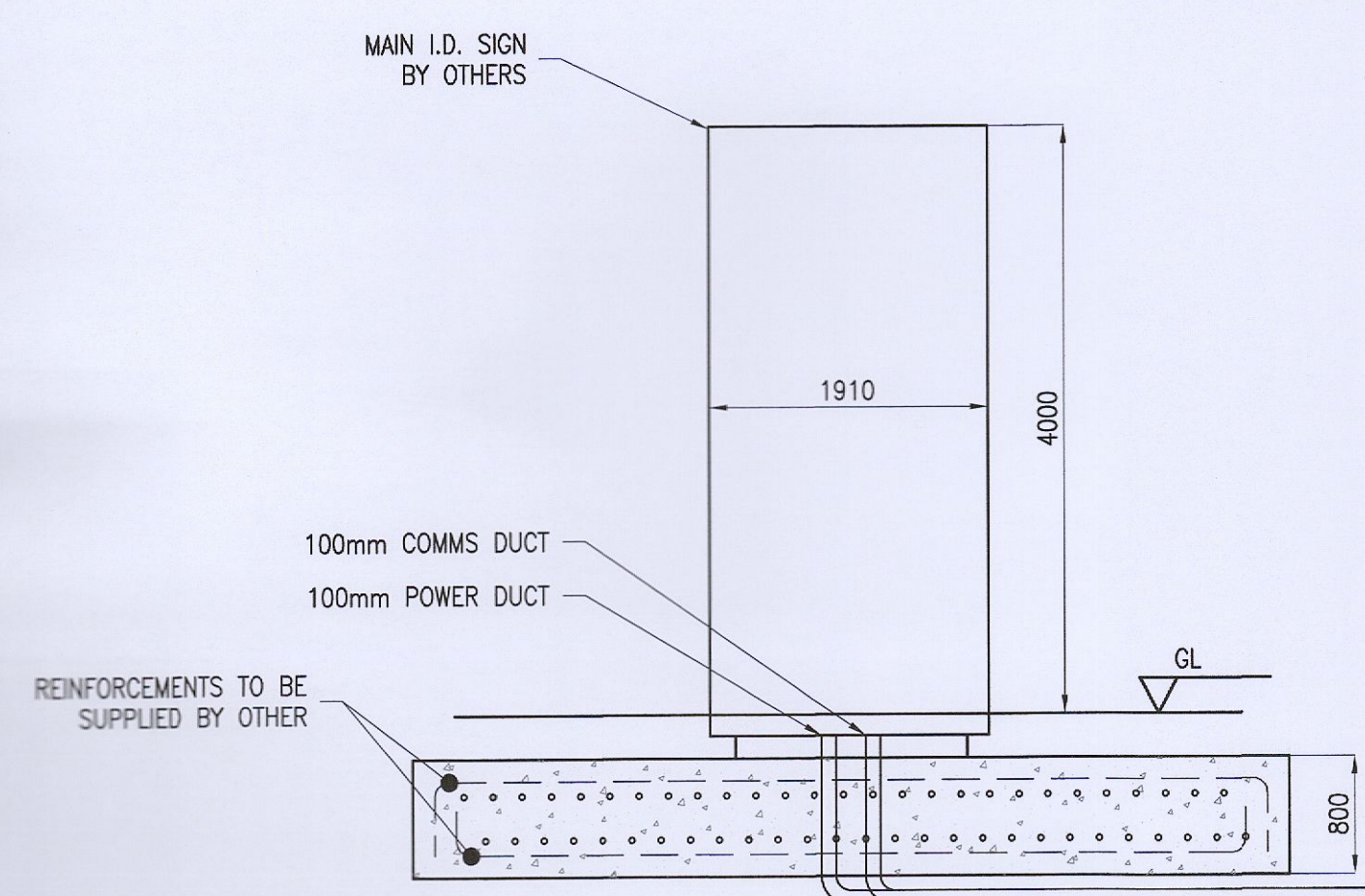
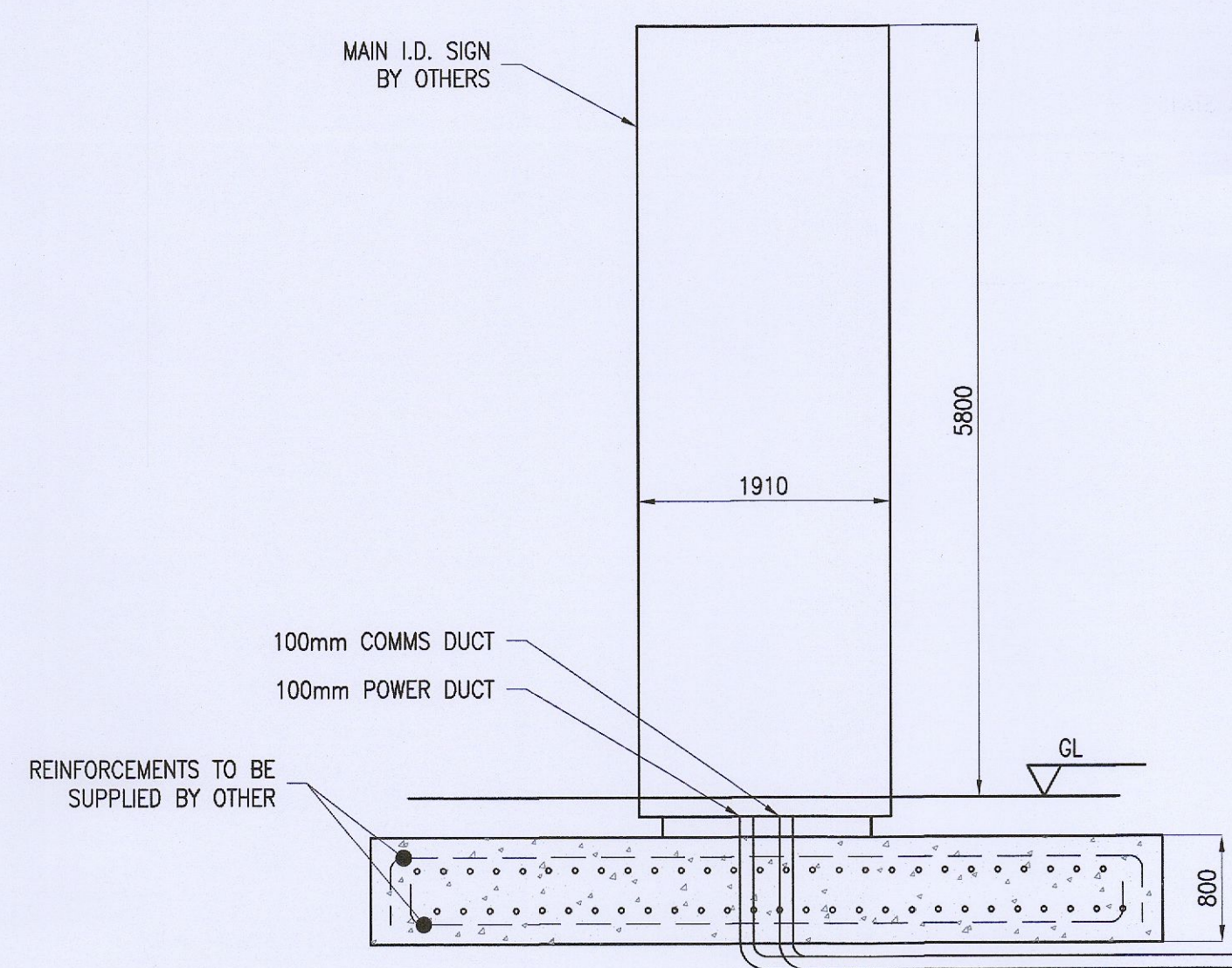


NOTES:
 THIS DRAWING IN WHOLE OR IN PART SHALL NOT BE COPIED WITHOUT THE PRIOR PERMISSION OF McARDLE DOYLE LTD.
 ALL WORKS TO COMPLY WITH THE CURRENT BUILDING REGULATIONS.
 DO NOT SCALE.
 ORDNANCE SURVEY IRELAND LICENCE No. AR 0105722
 © ORDNANCE SURVEY IRELAND / GOVERNMENT OF IRELAND



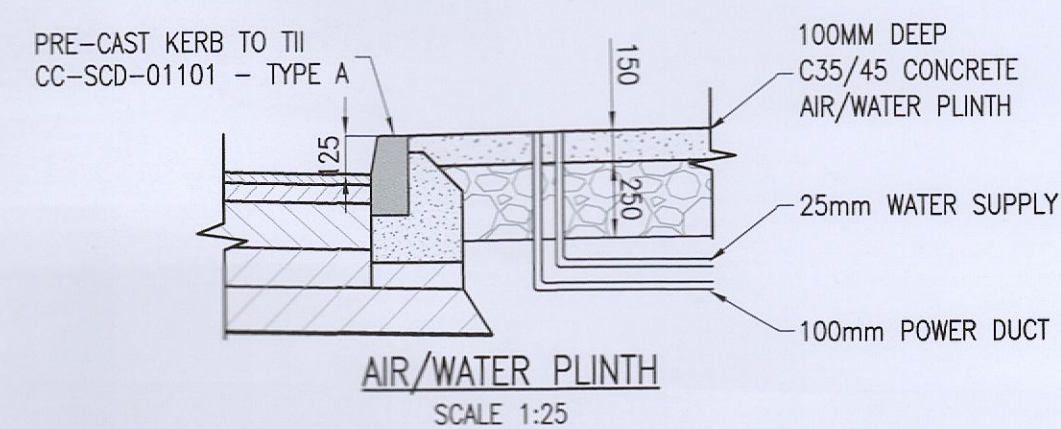
LOW LEVEL ID SIGN: 1 NO.
 (MAIN ENTRANCE)
 SCALE 1:50

NOTE:
 FOUNDATIONS BY MAIN CONTRACTOR WITH BOLT CAGE, SUPPLIED BY OTHERS, SET INTO BASE

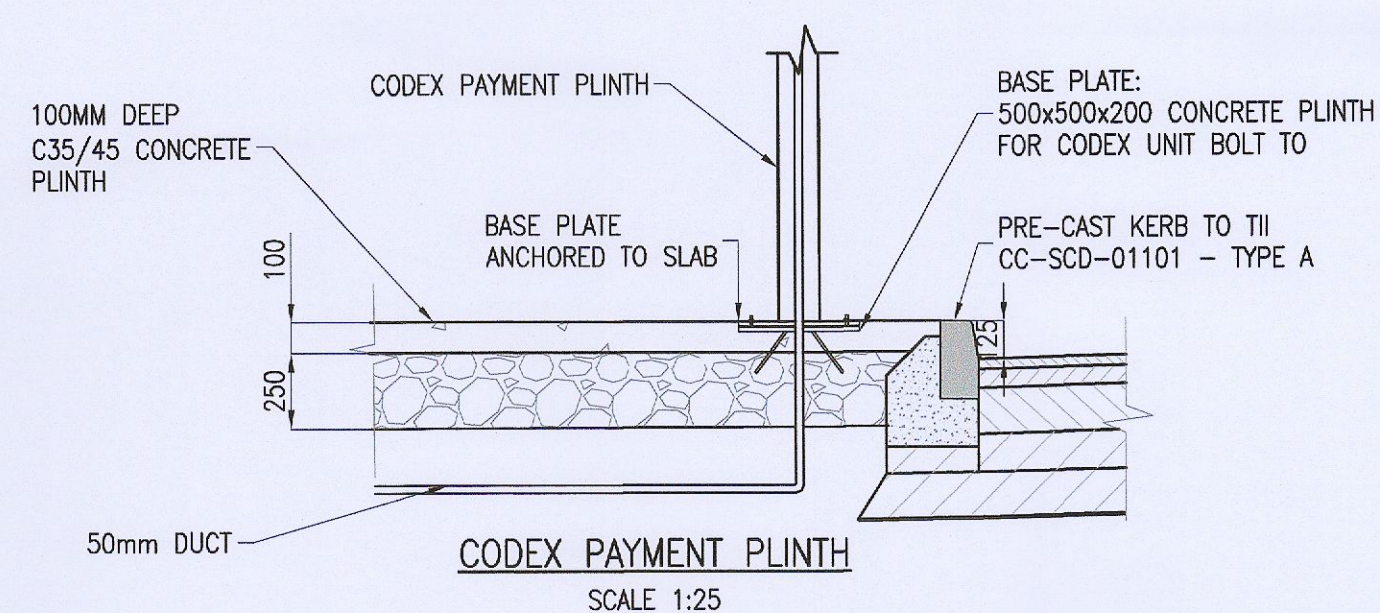


MAIN ID SIGN: 1 NO.
 (WESTERN ELEVATION)
 SCALE 1:50

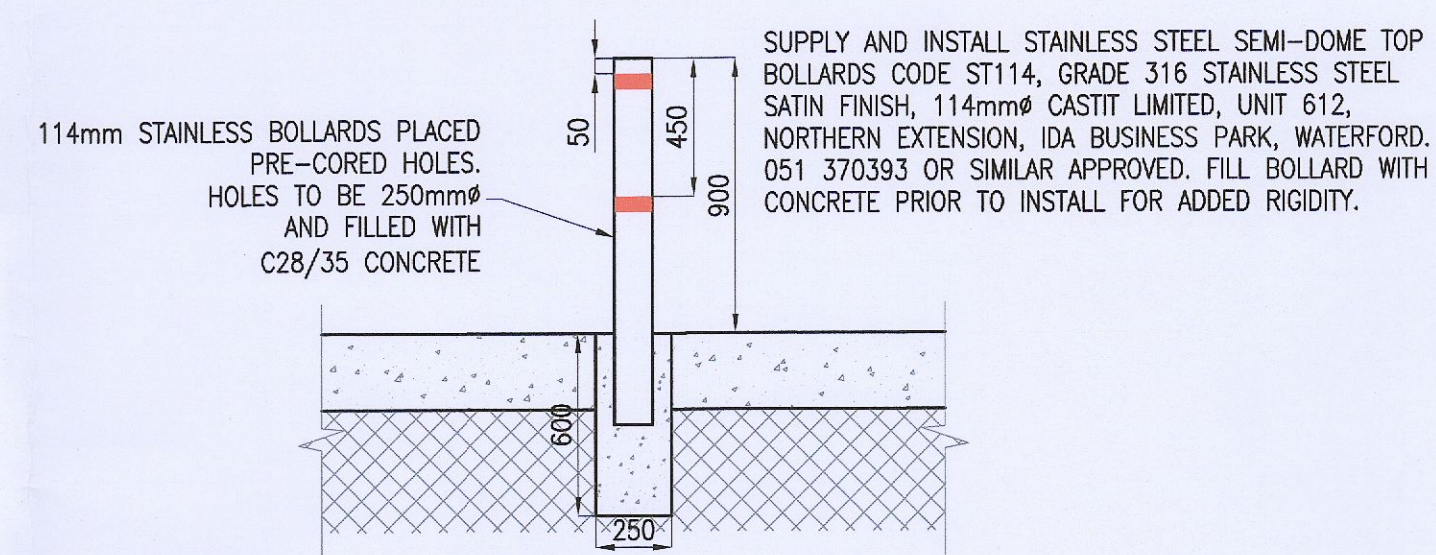
NOTE:
 FOUNDATIONS BY MAIN CONTRACTOR WITH BOLT CAGE, SUPPLIED BY OTHERS, SET INTO BASE



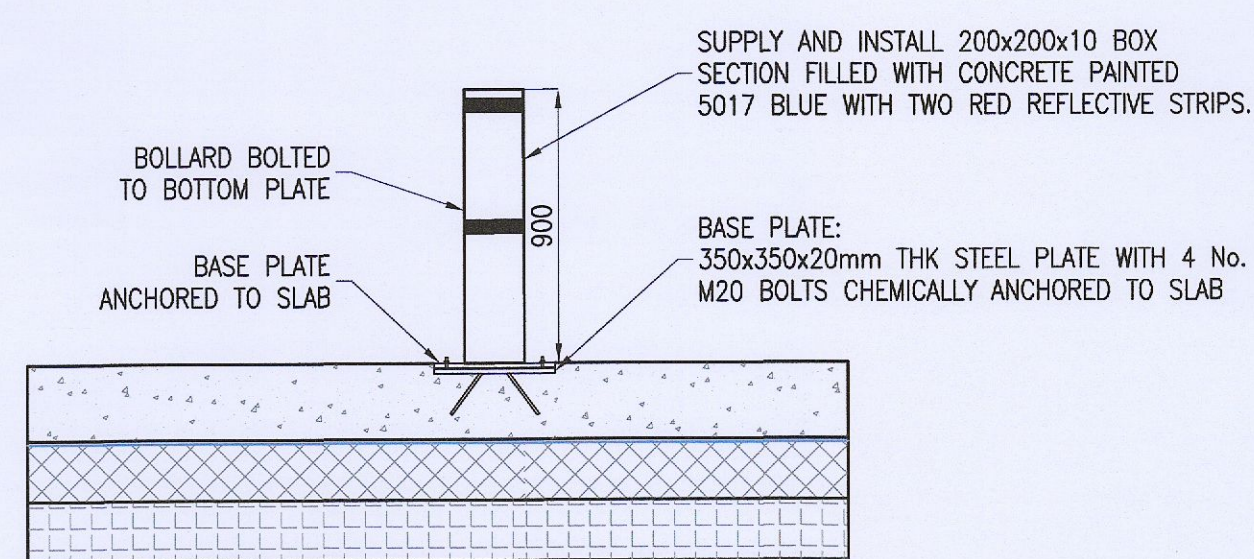
AIR/WATER PLINTH
 SCALE 1:25



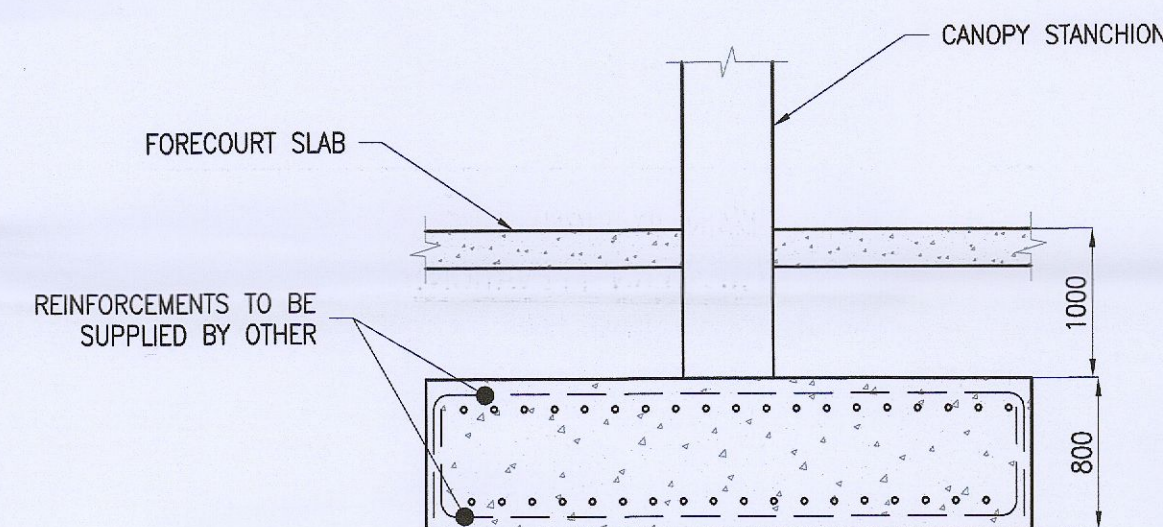
CODEX PAYMENT PLINTH
 SCALE 1:25



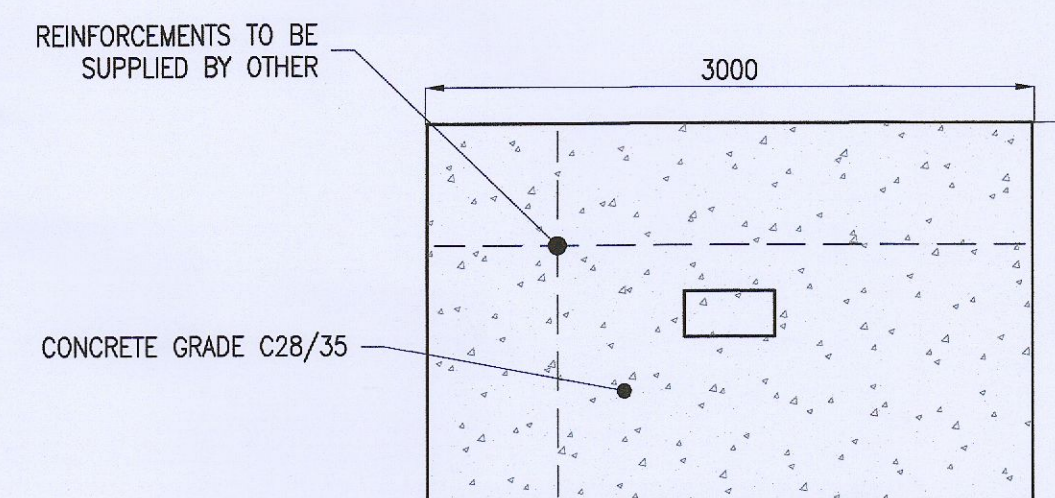
STAINLESS STEEL BOLLARD IN
 RETAIL FORECOURT
 SCALE 1:25



STAINLESS STEEL BOLLARD IN
 HGV FILLING AREA
 SCALE 1:25



CANOPY BASES: 3 NO.
 SCALE 1:50



NOTE:
 FOUNDATIONS BY MAIN CONTRACTOR WITH BOLT CAGE, SUPPLIED BY OTHERS, SET INTO BASE

Rev.	Description	By	Date
-	ISSUED FOR PLANNING	GDR	09.09.22

McArdle Doyle
 Second Floor
 Exchange Building
 The Long Walk
 Dundalk, Co. Louth

Chartered Engineers
 Architectural Services
 & Project Managers
 mail@mcardle-doyle.ie
 +353(0) 42 942 9052

PROJECT:
 UNMANNED SERVICE STATION,
 LIFFEY VALLEY

CLIENT:

DRAWING TITLE:
 FORECOURT DETAILS
 SHEET 2 of 2

Date	Drawn	Checked	Approved
09/09/22	GDR	RMA	RMA
Scale at A1	Drawing Number	Status	Rev.
AS SHOWN	P1956.C15	PL	-