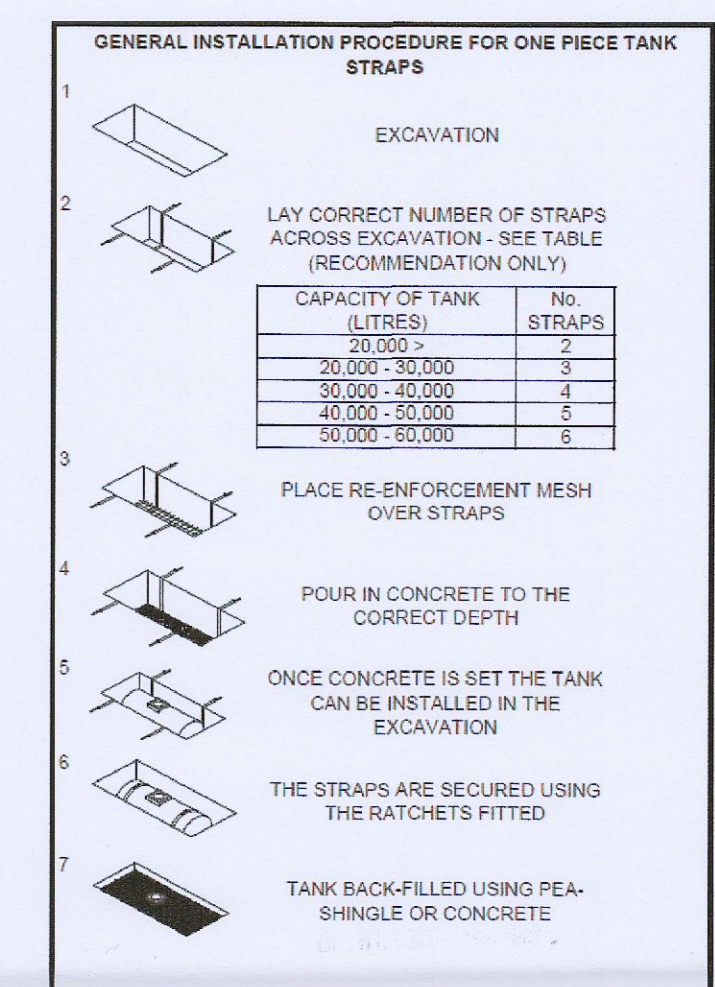


NOTES:
THIS DRAWING IN WHOLE OR IN PART SHALL NOT BE COPIED WITHOUT THE PRIOR PERMISSION OF McArdle DOYLE LTD.
ALL WORKS TO COMPLY WITH THE CURRENT BUILDING REGULATIONS.
DO NOT SCALE.
ORDNANCE SURVEY IRELAND LICENCE No. AR 0105722
© ORNANCE SURVEY IRELAND / GOVERNMENT OF IRELAND

NOTE:
TEMPORARY WORKS EXCAVATION SUPPORT PROVIDED BY MAIN CONTRACTOR, TO BE APPROVED BY McArdle DOYLE Ltd.
UNDER NO CIRCUMSTANCES WILL AN OPEN TANK PIT EXCAVATION BE APPROVED.

LARSSEN SHEET PILE SECTION 12W OR SIMILAR APPROVED.
SEAL SHEET PILES AGAINST GROUND WATER INGRESS AS NECESSARY.

CONTRACTOR TO ALLOW FOR DE-WATERING OF TANK EXCAVATION DURING ALL CONSTRUCTION AND INSTALLATION WORKS.



Rev.	Description	By	Date
-	ISSUED FOR PLANNING	GDR	09.09.22

McArdle Doyle
Second Floor Exchange Building The Long Walk Dundalk, Co. Louth
Chartered Engineers Architectural Services & Project Managers
mail@mcardle Doyle.ie +353(0) 42 842 9052

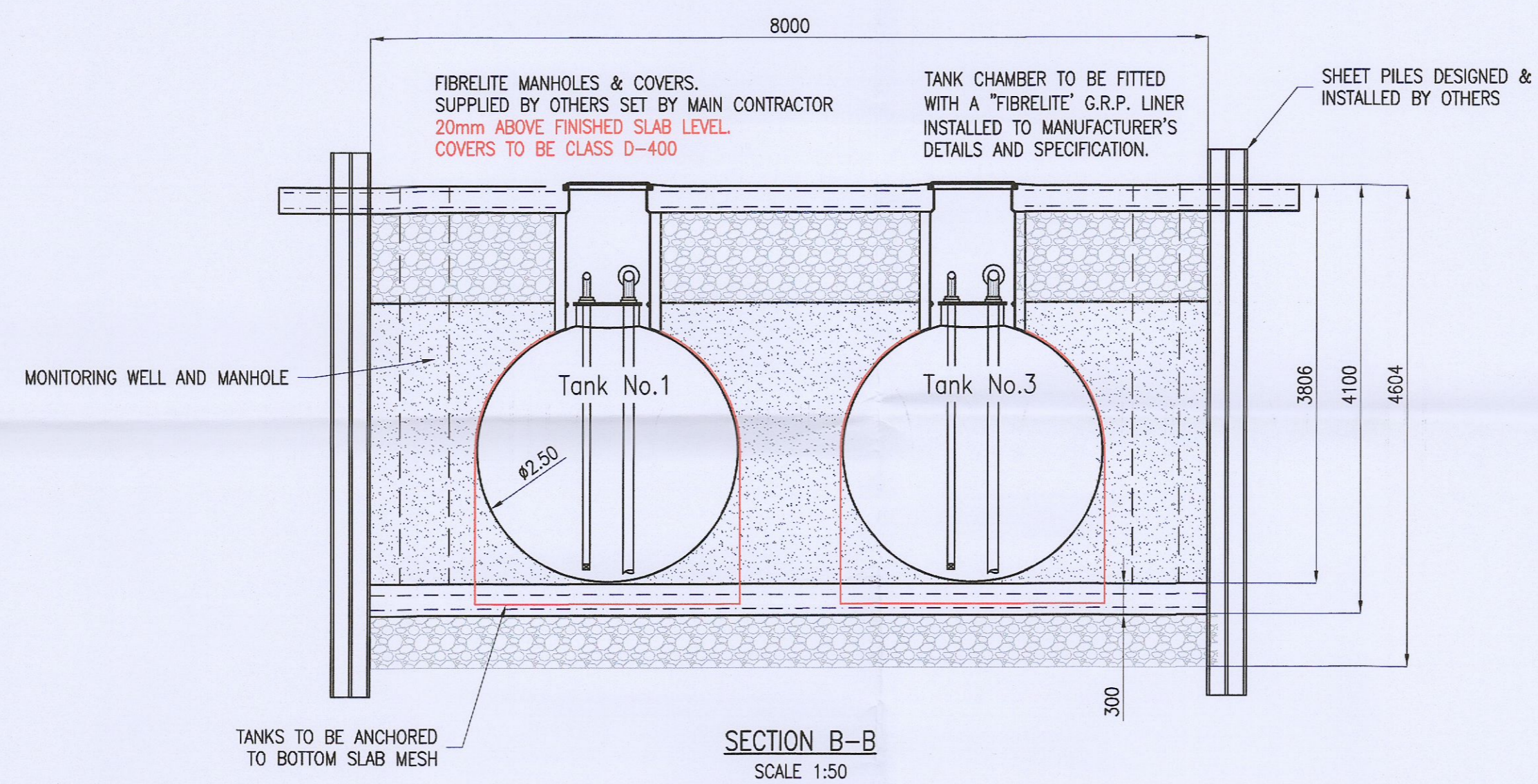
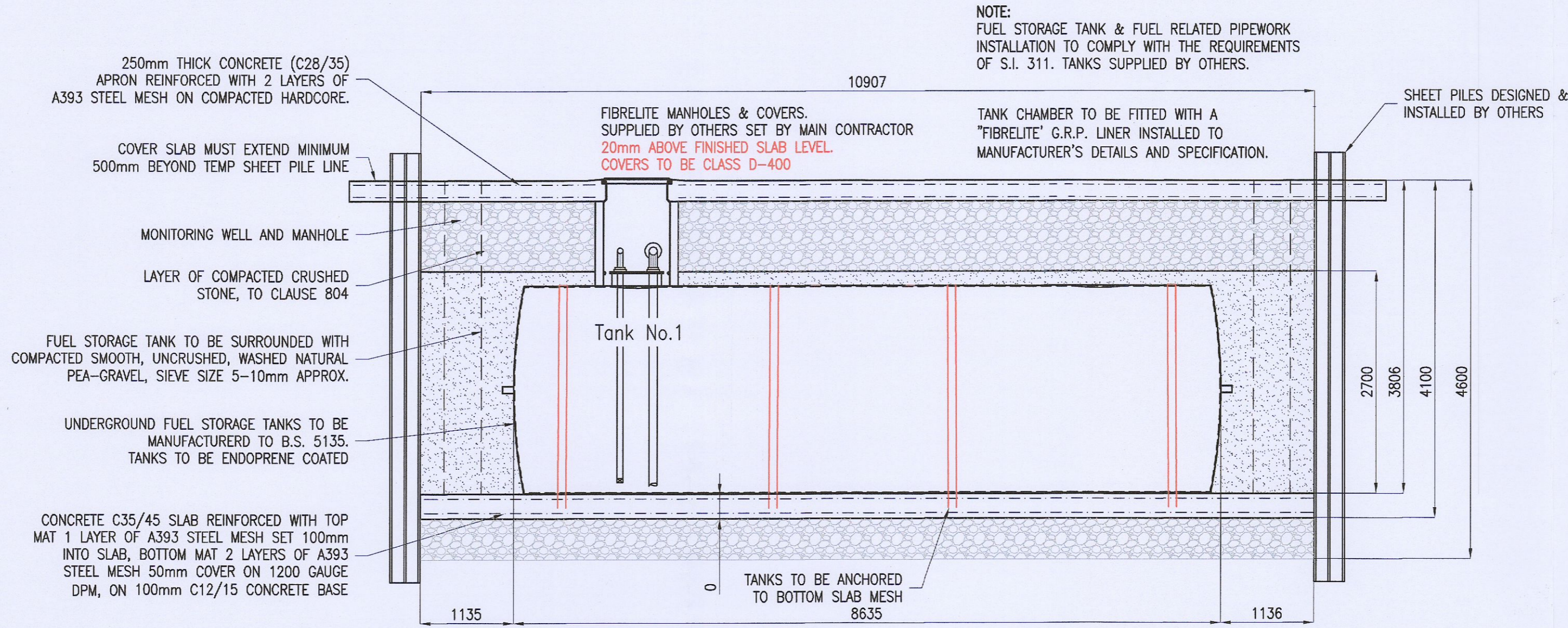
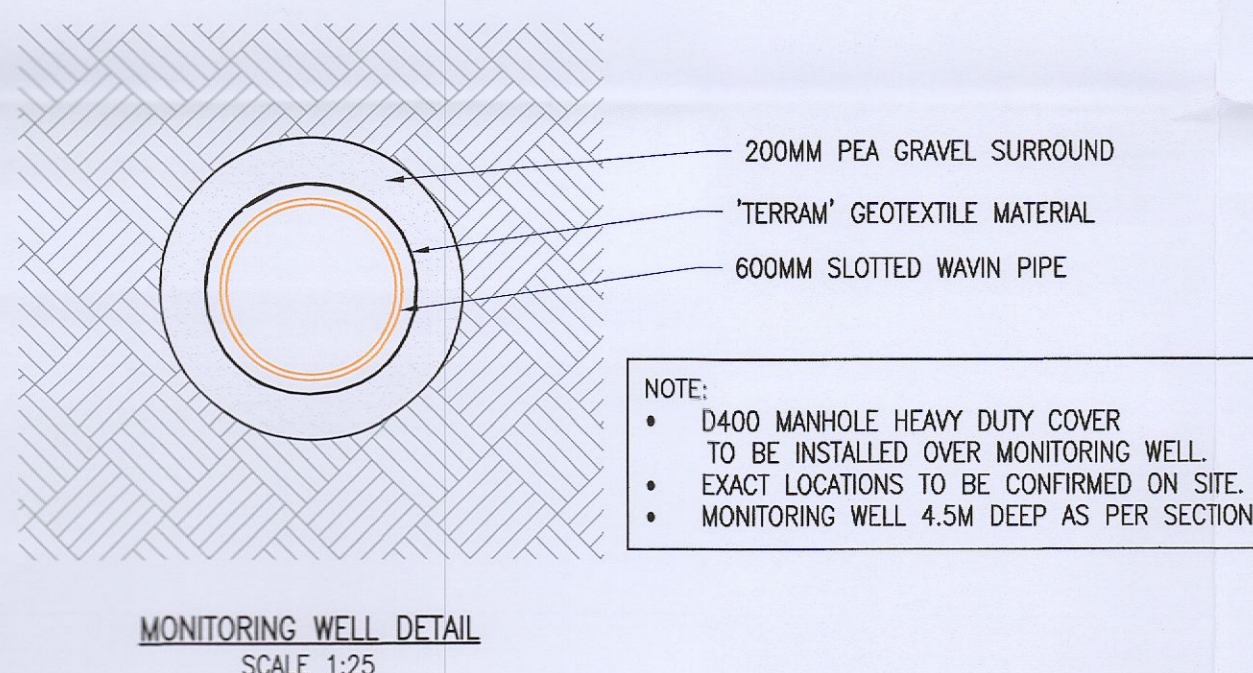
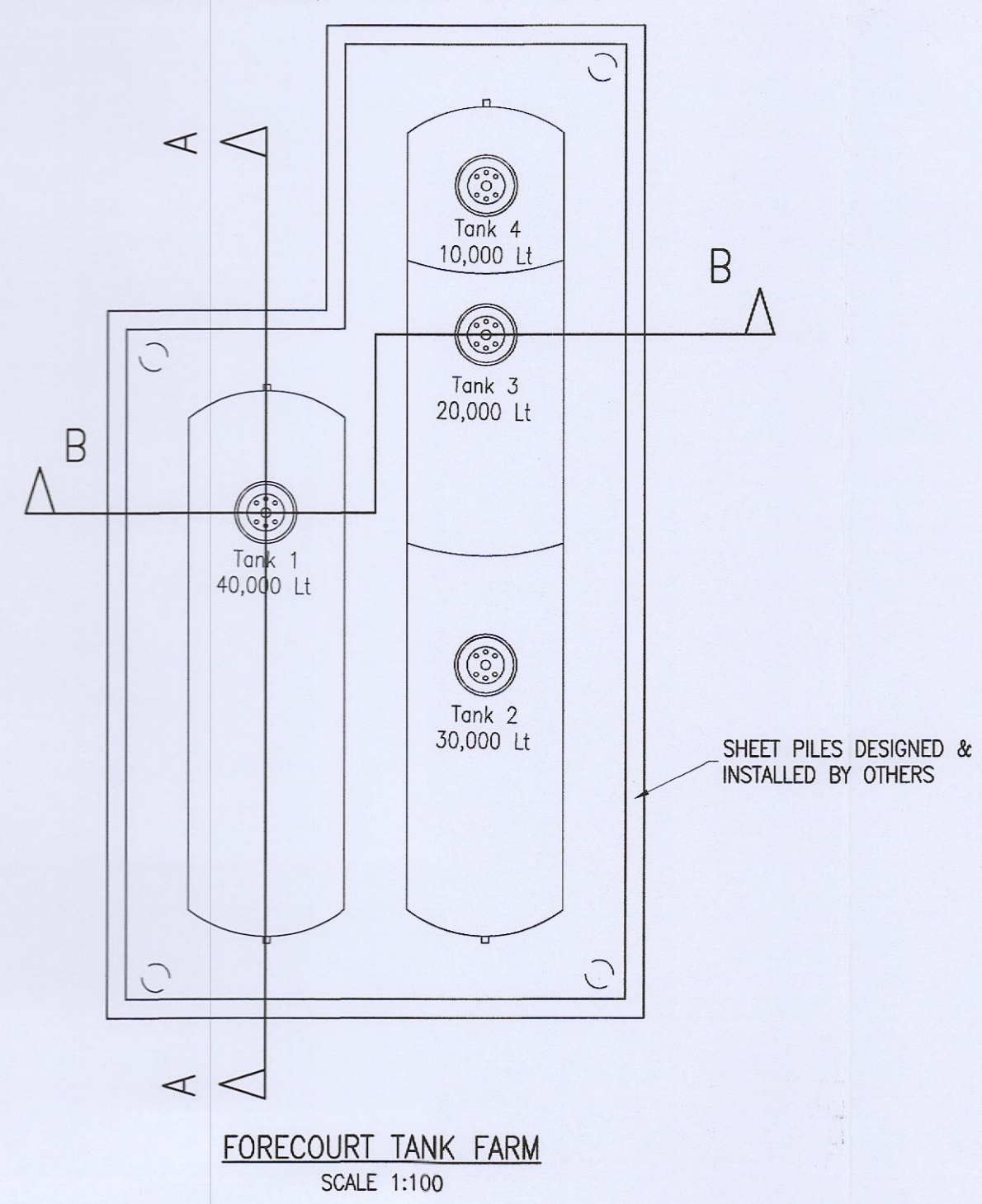
PROJECT:
UNMANNED SERVICE STATION, LIFFEY VALLEY



DRAWING TITLE:
PROPOSED TANK FARM

Date	Drawn	Checked	Approved
09/09/22	GDR	RMA	RMA
Scale at A1 AS SHOWN	Drawing Number P1956.C08	Status Rev.	PL -

LEGEND
MONITORING WELL: 450mmØ SLOTTED PIPE WRAPPED IN TERRAM, SURROUNDED IN PEA GRAVEL



NOTE:
FUEL STORAGE TANK & FUEL RELATED PIPEWORK INSTALLATION TO COMPLY WITH THE REQUIREMENTS OF S.I. 311. TANKS SUPPLIED BY OTHERS.

250mm THICK CONCRETE (C28/35) APRON REINFORCED WITH 2 LAYERS OF A393 STEEL MESH ON COMPACTED HARD CORE.
COVER SLAB MUST EXTEND MINIMUM 500mm BEYOND TEMP SHEET PILE LINE
MONITORING WELL AND MANHOLE
LAYER OF COMPACTED CRUSHED STONE, TO CLAUSE 804
FUEL STORAGE TANK TO BE SURROUNDED WITH COMPACTED SMOOTH, UNCRUSHED, WASHED NATURAL PEA-GRAVEL, SIEVE SIZE 5-10mm APPROX.
UNDERGROUND FUEL STORAGE TANKS TO BE MANUFACTURED TO B.S. 5135. TANKS TO BE ENDOPRENE COATED
CONCRETE C35/45 SLAB REINFORCED WITH TOP MAT 1 LAYER OF A393 STEEL MESH SET 100mm INTO SLAB, BOTTOM MAT 2 LAYERS OF A393 STEEL MESH 50mm COVER ON 1200 GAUGE DPM, ON 100mm C12/15 CONCRETE BASE

