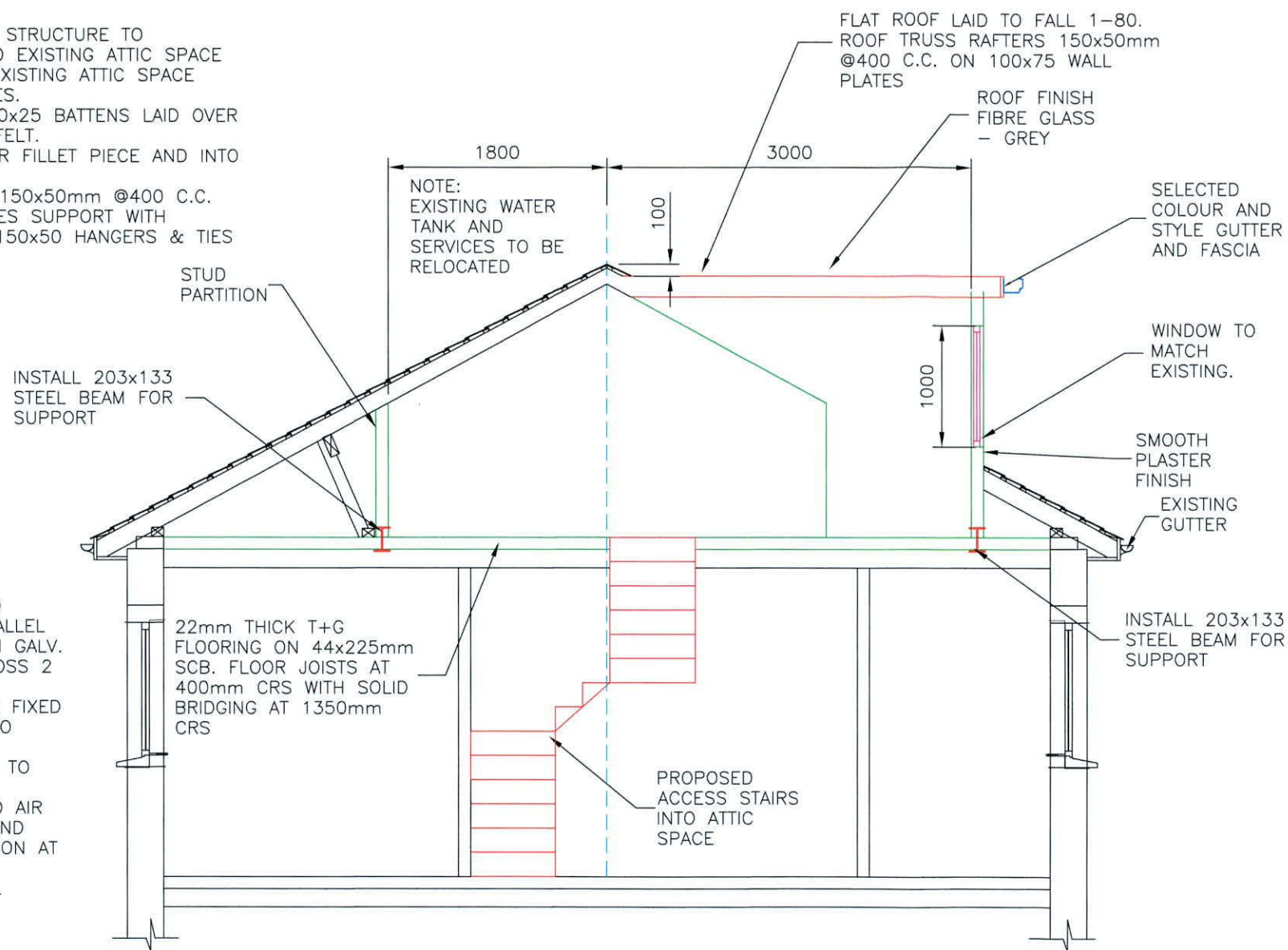
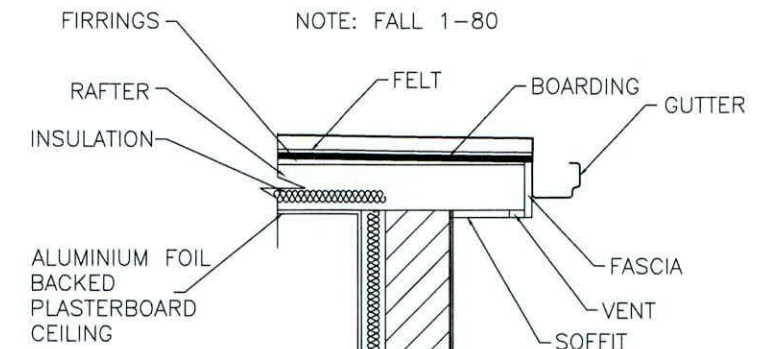


NOTES:  
 MODIFY EXISTING ROOF STRUCTURE TO FACILITATE ACCESS INTO EXISTING ATTIC SPACE AND CONVERSION OF EXISTING ATTIC SPACE FOR STORAGE PURPOSES.  
 ROOF TILES LAID ON 50x25 BATTENS LAID OVER UNTEARABLE ROOFING FELT.  
 FELT TO RUN OUT OVER FILLET PIECE AND INTO PVC GUTTER  
 ROOF TRUSS RAFTERS 150x50mm @400 C.C. ON 100x75 WALL PLATES SUPPORT WITH 175x75 PURLINS AND 150x50 HANGERS & TIES



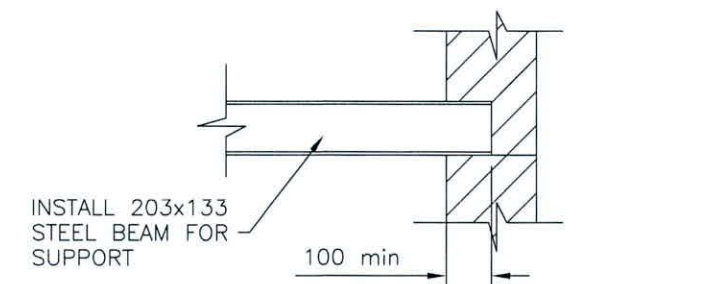
**PROPOSED ATTIC SECTION VIEW**

NOTES:  
 ALL TIMBERS TO BE SCB.  
 PROVIDE LATERAL SUPPORT TO WALLS WHERE THEY RUN PARALLEL TO JOISTS, BY FIXING 30X6MM GALV. M.S. STRAPS AT 2M CRS ACROSS 2 NO JOISTS.  
 SOLID NOGGING PIECES TO BE FIXED DIRECTLY UNDER STRAPS. DITTO ALONG ROOF SLOPE.  
 INSULATION BETWEEN RAFTERS TO BUILDING REGULATIONS.  
 PROVIDE 50MM UNOBSTRUCTED AIR SPACE BETWEEN INSULATION AND ROOF FELT. PROVIDE VENTILATION AT EAVES TO PROMOTE CROSS VENTILATION 10MM STRIP FULL LENGTH



90MM XTRATHERM THIN-R/TLMF (FOILBACKED) BONDED TO 12.5 PLASTERBOARD MECHANICALLY FIXED TO INNER FACE AND WITH 6MM PLASTER SKIM FINISH. PROVIDE GROUNDS AS INDICATED/REQUIRED

**TYPICAL FLAT ROOF DETAIL**



**TYPICAL SUPPORT DETAIL**

