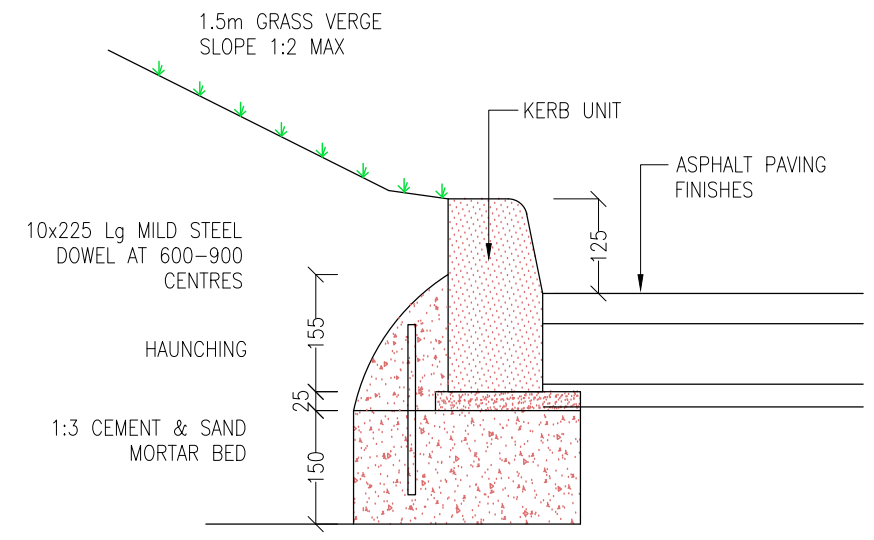


SECTION 1
Scale NTS 100
POROUS ASPHALT BUILD-UP



SECTION 2
Scale NTS 100

- NOTES:-
- FIGURED DIMENSIONS ONLY TO BE TAKEN FROM THIS DRAWING. DIMENSIONS TO BE CHECKED ON SITE.
 - THIS DRAWING TO BE READ IN CONJUNCTION WITH ALL OTHER ARCHITECTURAL & ENGINEERING DRAWINGS & ALL OTHER RELEVANT DRAWINGS & SPECIFICATIONS
 - ALL LEVELS RELATE TO O.S. DATUM AT MAIN HEAD UNLESS NOTED OTHERWISE

Rev.	Date	Drawn By	Checked By	Revision

Status
FOR PLANNING

Architect
GOGARTY ARCHITECTS

Project
**SCOIL AINE NAOFA
NEWCASTLE ROAD, ESKER
LUCAN, Co DUBLIN**

Drg.Title
DETAILS

THIS DOCUMENT IS THE PROPERTY OF DOHERTY FINEGAN KELLY CONSULTING ENGINEERS. THE DESIGN INFORMATION CONTAINED HEREIN IS STRICTLY CONFIDENTIAL. THIS DOCUMENT IS NOT TO BE USED, REPRODUCED, DISCLOSED OR CIRCULATED IN WHOLE OR IN PART WITHOUT THE PRIOR WRITTEN PERMISSION IN EACH INSTANCE OF DOHERTY FINEGAN KELLY CONSULTING ENGINEERS.
© PROPERTY OF DOHERTY FINEGAN KELLY CONSULTING ENGINEERS

DOHERTY FINEGAN KELLY
DOHEKLLA FINEGAN KELLY
CONSULTING CIVIL & STRUCTURAL ENGINEERS
Botanic Court, 30 Botanic Road,
Glasnevin, Dublin D09 W2V9.
Tel:(01) 8301852 Fax:(01) 8602265
E-Mail mailroom@dfk.ie

Drawn By KeB	Scale AS SHOWN
Checked By SG	Date 28 Sept'22
Drg.No. 22159/101	Rev. -