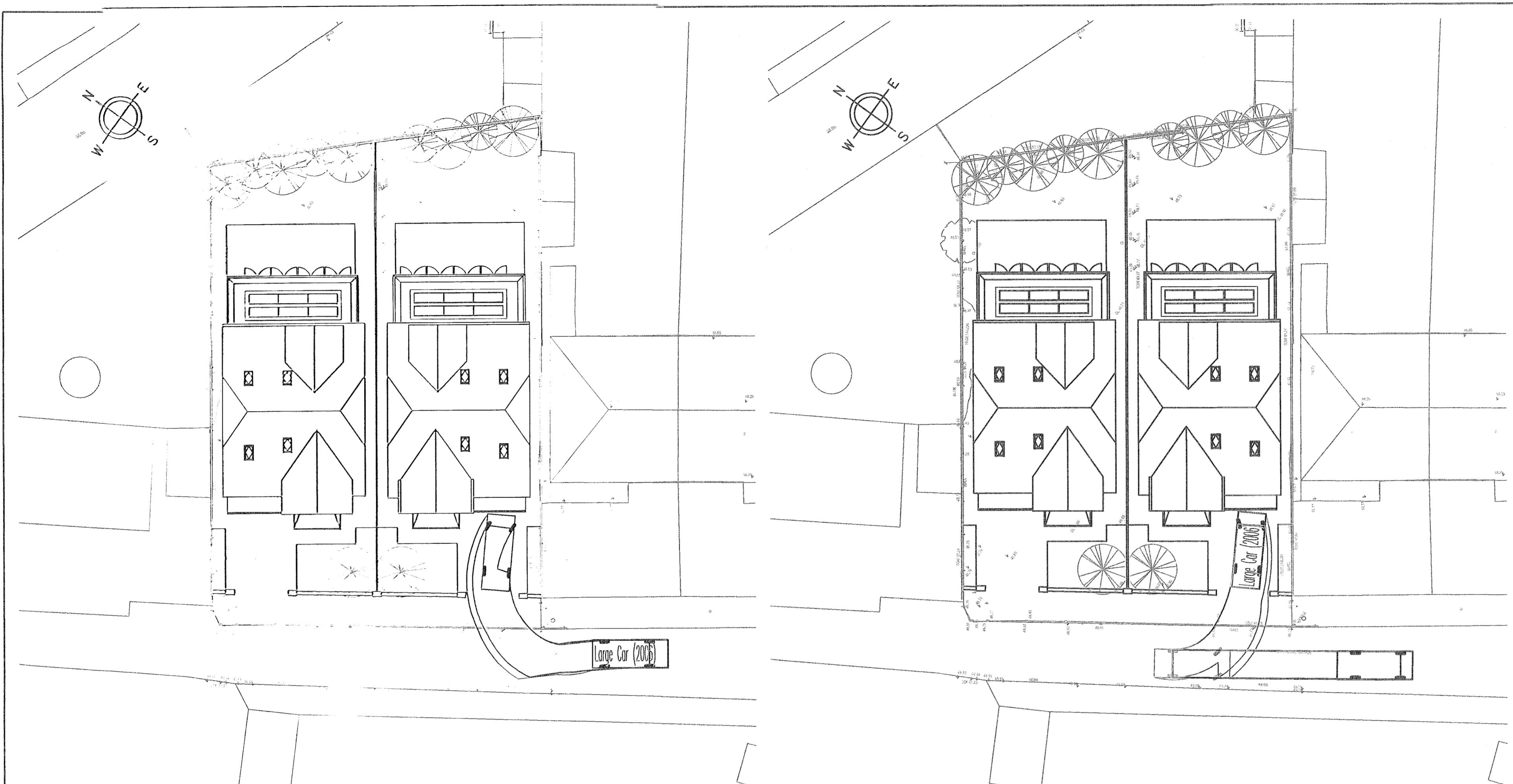
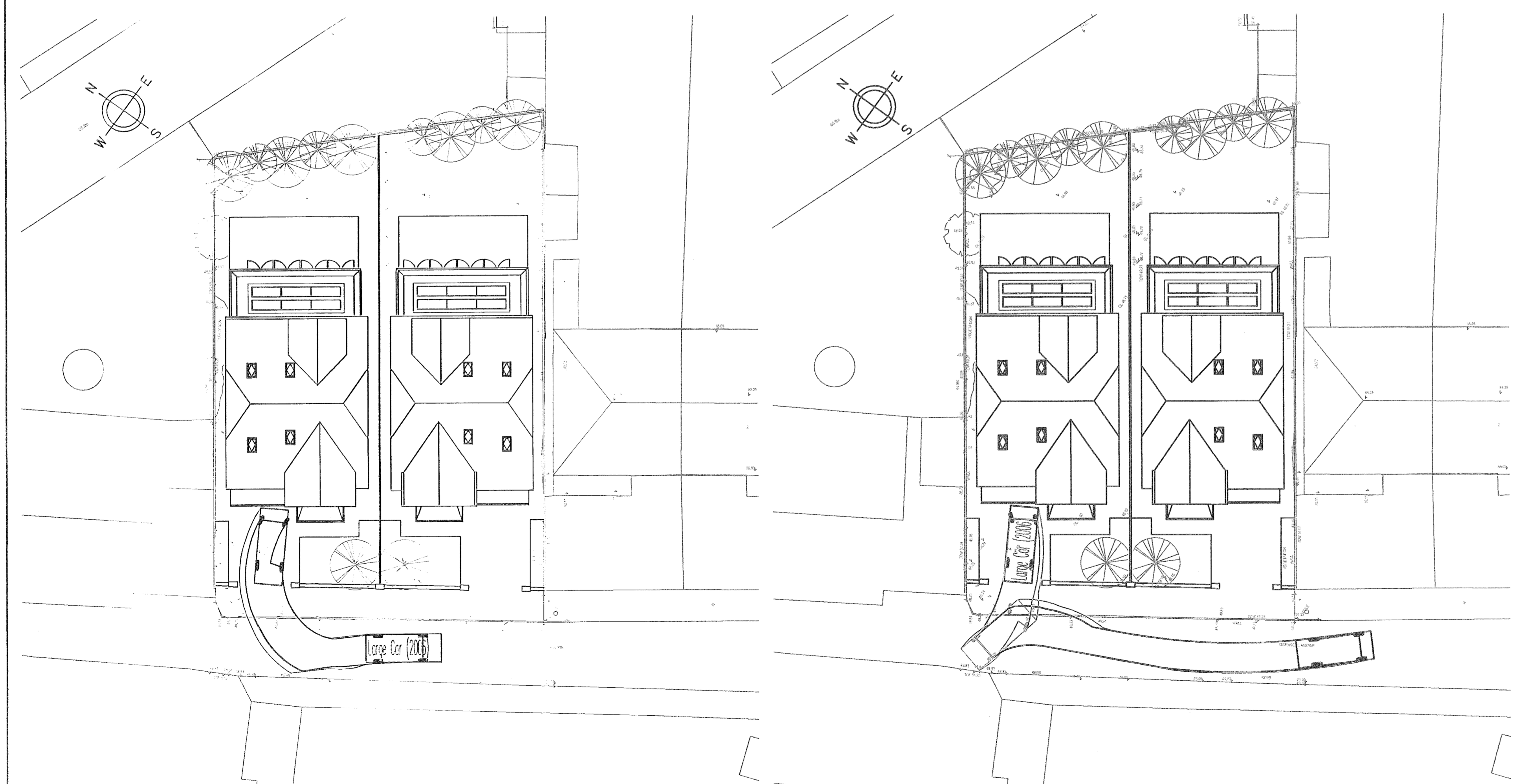


THIS DRAWING TO BE READ IN CONJUNCTION WITH ALL RELEVANT DRAWINGS AND SPECIFICATIONS. DO NOT SCALE FROM THIS DRAWING. FIGURE DIMENSION ONLY TO BE USED. ALL DIMENSIONS ARE IN MILLIMETERS EXCEPT WHERE SHOWN. ANY DISCREPANCIES ON THIS DRAWING OR ON SITE ARE TO BE REPORTED RS CONSULTING ENGINEERS. THIS DRAWING IS THE PROPERTY OF RS CONSULTING ENGINEERS. IT IS A CONFIDENTIAL DOCUMENT AND MUST NOT BE COPIED, OR ITS CONTENT DIVULGED WITHOUT PRIOR WRITTEN CONSENT.



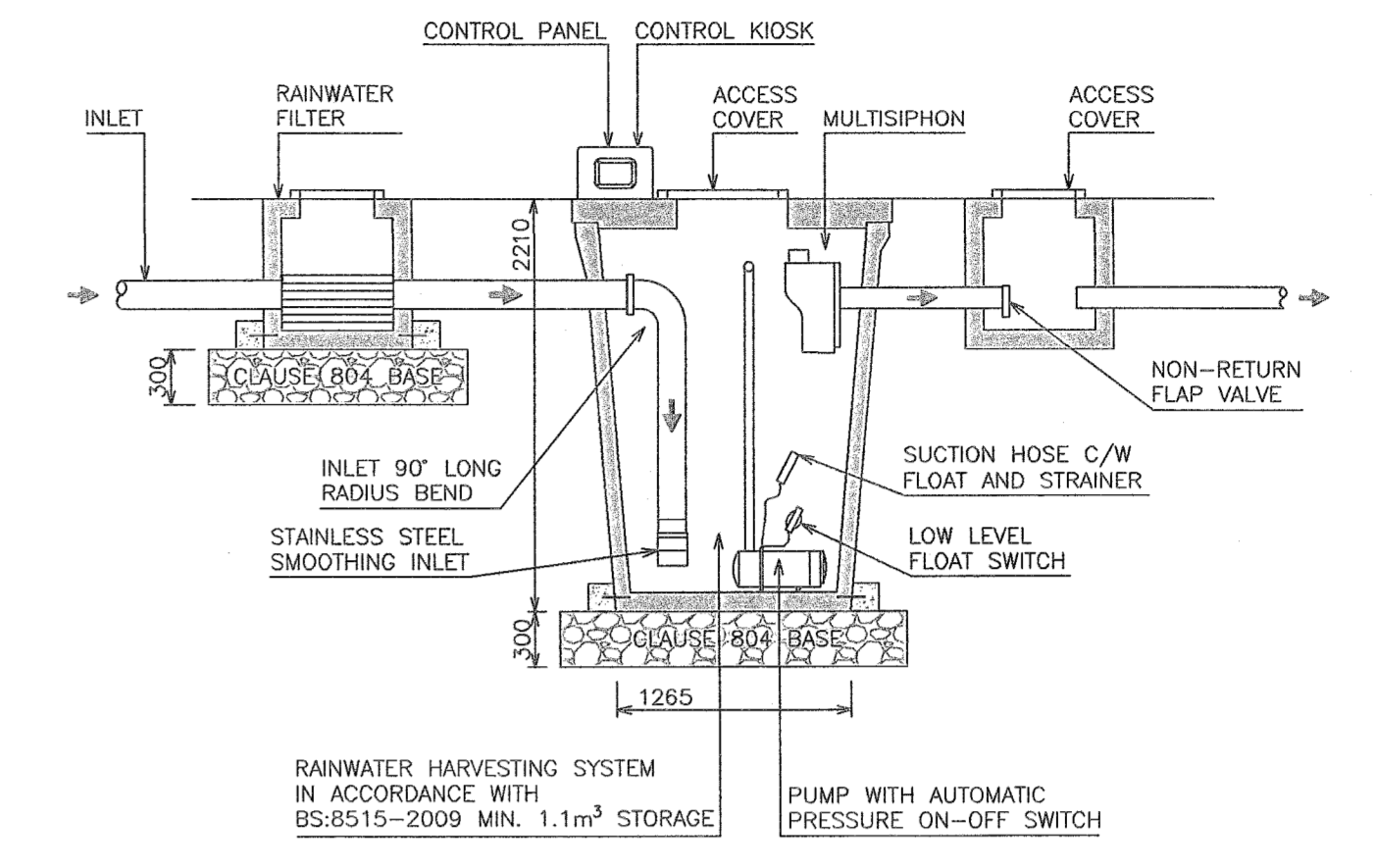
AUTOTRACK 1 - ENTRY
SCALE 1:200 @ A1

AUTOTRACK 2 - EXIT
SCALE 1:200 @ A1

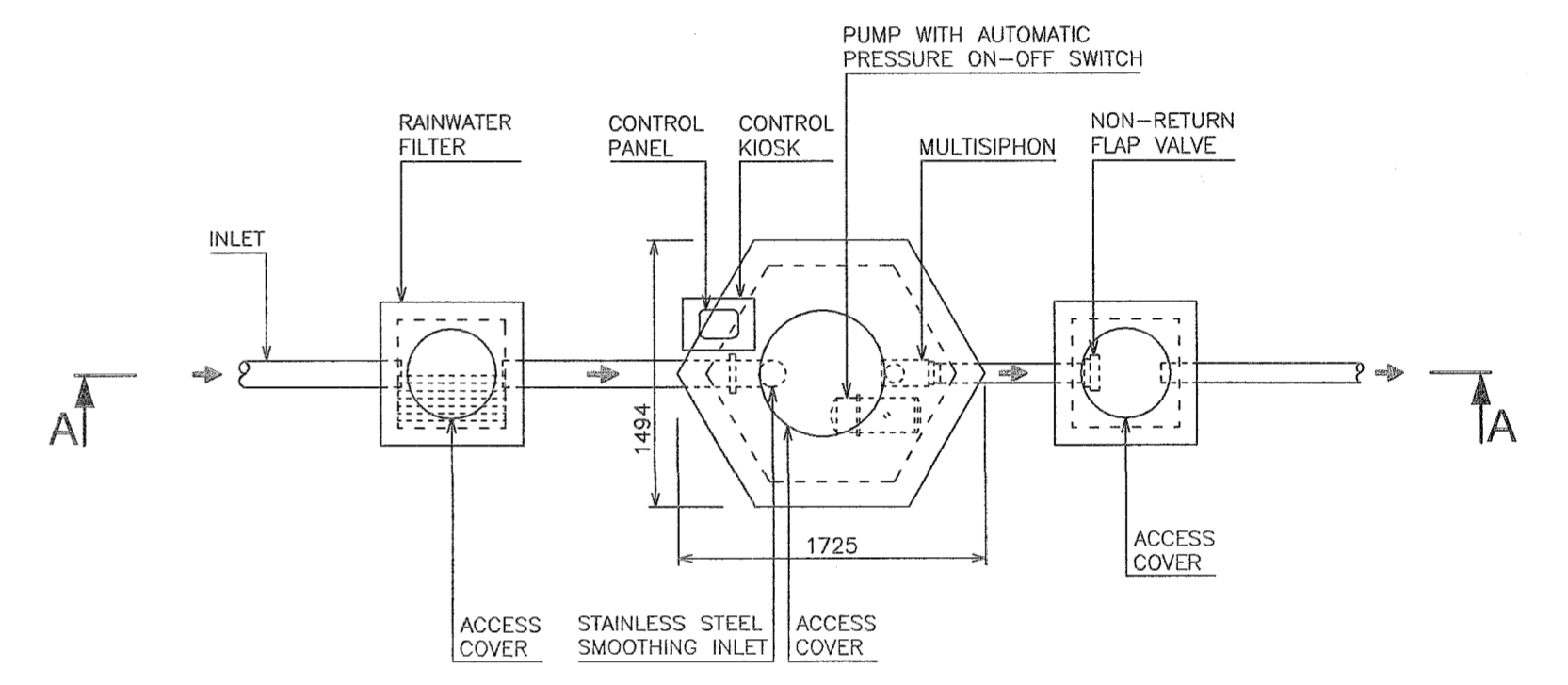


AUTOTRACK 3 - ENTRY
SCALE 1:200 @ A1

AUTOTRACK 4 - EXIT
SCALE 1:200 @ A1

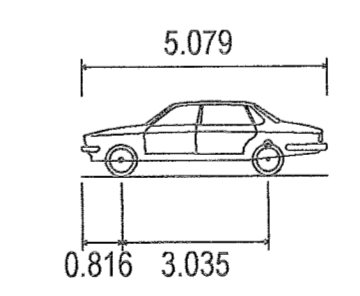


SECTION A-A



LAYOUT PLAN


PROPOSED RAINWATER HARVESTING SYSTEM NTS



Large Car (2006)
Overall Length 5.079m
Overall Width 1.872m
Overall Body Height 1.525m
Min Body Ground Clearance 0.310m
Max Track Width 1.831m
Lock-to-lock time 4.00s
Curb to Curb Turning Radius 5.900m

SOUTH DUBLIN COUNTY COUNCIL
ADDITIONAL INFORMATION REQUEST
DECISION ORDER NUMBER: 1085
REGISTER REFERENCE: SD22A/0288

REV.	DATE	DESCRIPTION
A	06.10.2022	GENERAL REVISION

CLIENT: M. HUGHES, A. KILKENNY & M. MCCARVILLE	 RS CONSULTING ENGINEERS
PROJECT: ST. FRANCIS, OWENDORE AVENUE, RATHFARNHAM, DUBLIN 14	
DRAWING TITLE: PROPOSED RAINWATER HARVESTING SYSTEM & SWEPT - PATH ANALYSIS LAYOUT PLAN	28A MAYWOOD LAWN RAHENY DUBLIN 5 tel: +353 87 901 73 25 email: ross@rsconsulting.ie
SCALE: AS NOTED @ A1	DWG. STATUS: PLANNING
DATE: SEPTEMBER 2022	DRAWN BY: R. SOMERS
© DRAWING NUMBER: 22-253-C02	REVISION: A