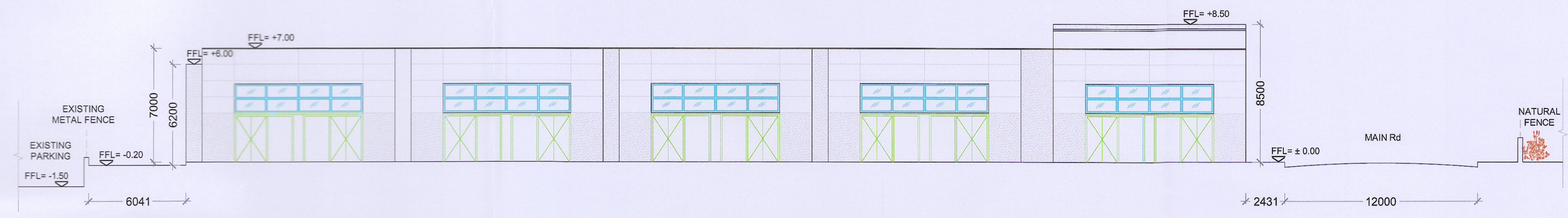
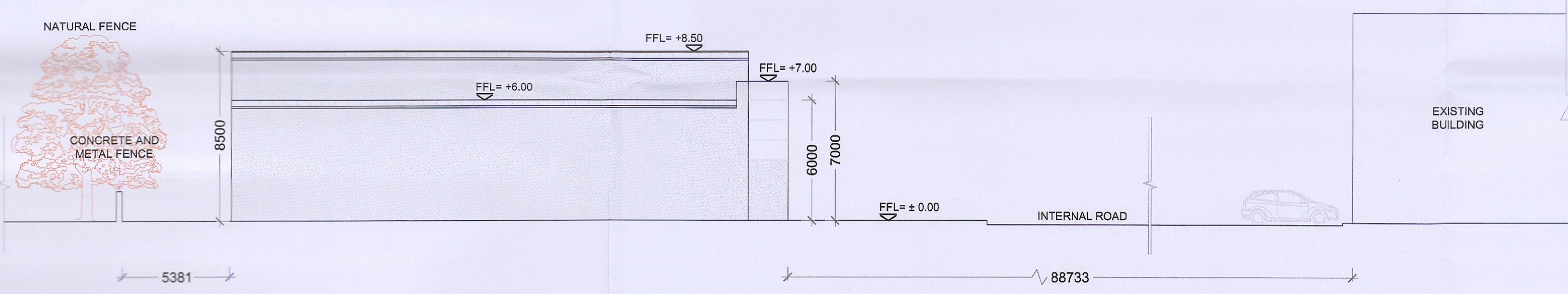


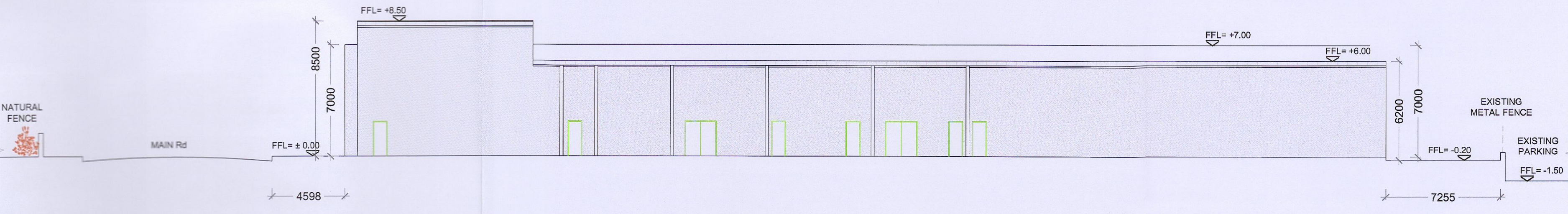
EXISTING NORTH ELEVATION
SCALE 1:200



EXISTING EAST ELEVATION
SCALE 1:200

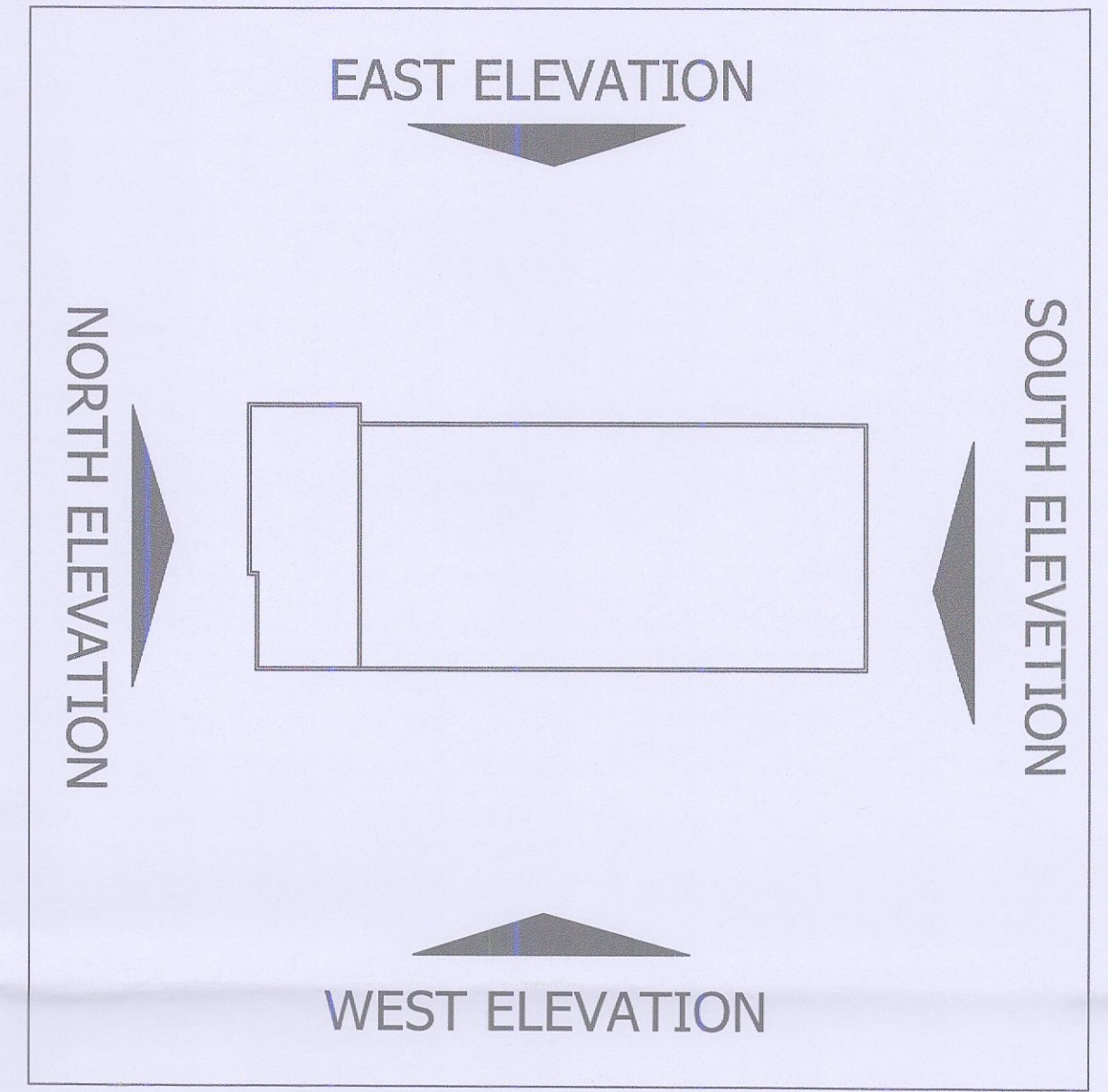


EXISTING SOUTH ELEVATION
SCALE 1:200

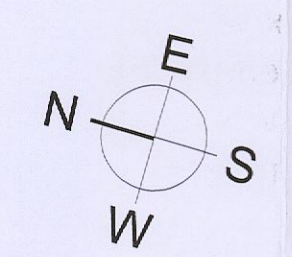


EXISTING WEST ELEVATION
SCALE 1:200

KEY PLAN
SCALE : NTS



- NOTES:**
1. This drawing is copyright and the property of Bioenergy Power Systems T/A Enerpower. The design information contained herein is strictly confidential. This document is not be used reproduced, disclosed or circulated, in whole or in part without the prior written permission in each instance of Bioenergy Power Systems T/A Enerpower.
 2. This drawing has been produced electronically and may have been photo reduced or enlarged when copied hence do not rely on any scales quoted work only to figured dimensions (do not scale) all dimensions to be checked on site, any errors or omission to be reported to the agent immediately.
 3. This drawing is to be read in conjunction with all relevant structural, services and architectural drawings, specifications and schedules.
 4. All dimension are in millimeters and levels in meters unless note otherwise.



JOB : Proposed Solar Panels at Commercial Building-Lidl Complex, Main Rd, Tallaght, Dublin 24

CLIENT: Lidl Ireland GMBH

TITLE: Existing Elevations Plan

PLAN No.: 05

SCALE: 1:200@A1

Rev A 18/07/2022
Drawing by Elena Vazquez

ENERPOWER
TOTAL ENERGY SOLUTIONS

enerpower.ie
051 364054

Waterford Business Park, Unit 24 Cork Rd, Waterford