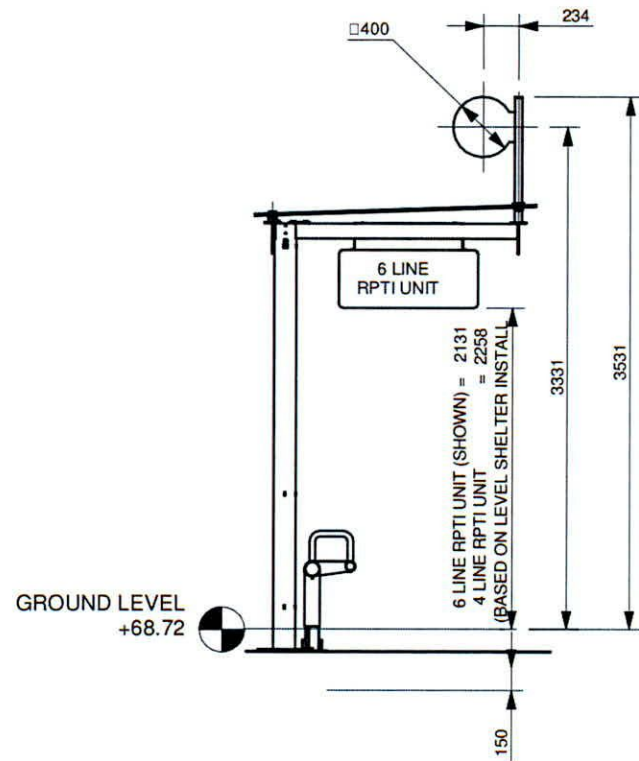
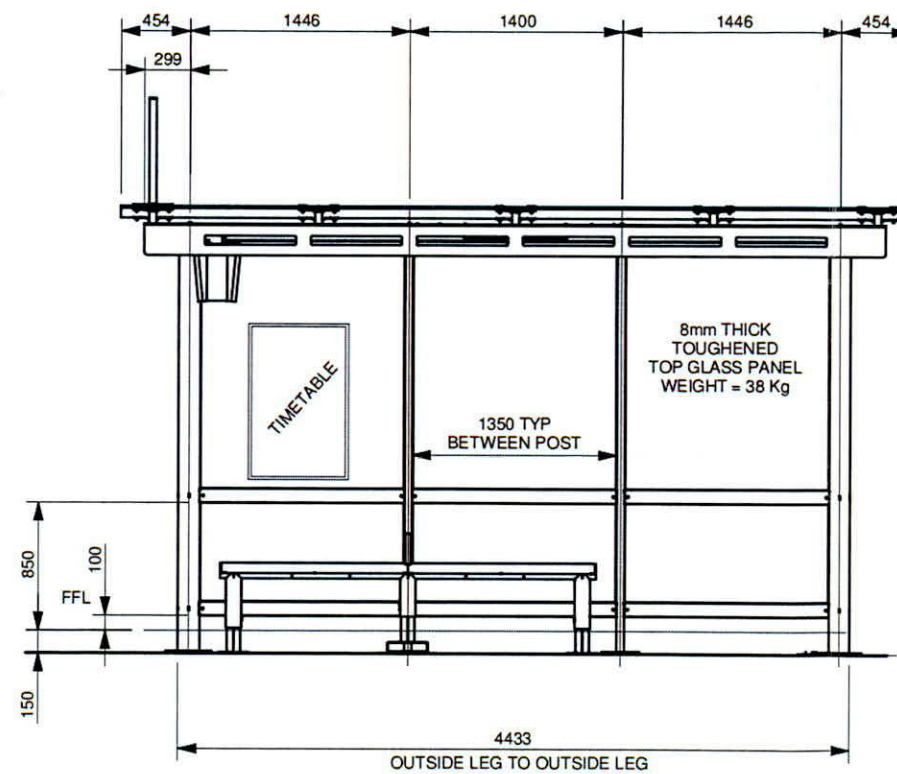


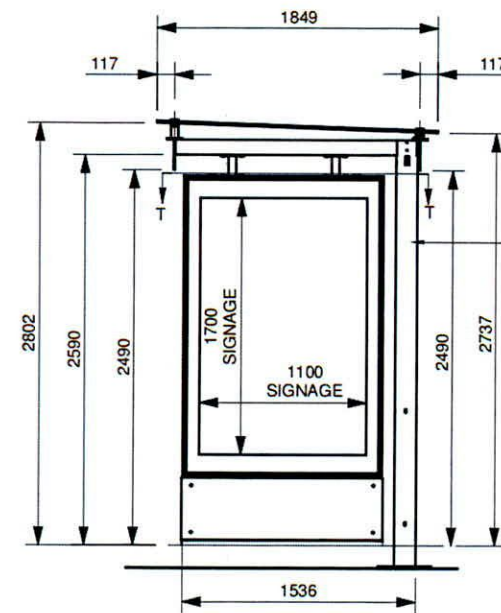
ROOF PLAN



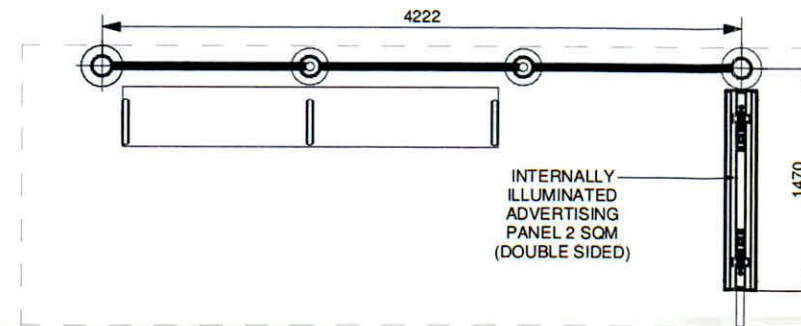
LHS ELEVATION



FRONT ELEVATION



RHS ELEVATION

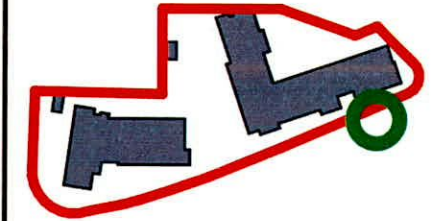


PLAN



Notes:

- Do not scale from this drawing. Use figured dimensions in all cases.
- Verify dimensions on site and report any discrepancies to the Architect immediately.
- This drawing to be read in conjunction with the Architect's Specification
- © This drawing is copyright and may only be reproduced with the Architect's permission.



P01	August 2022	MOF	Issued for Planning
Rev.	Date	Drwn	Details of Issue / Revision
Issues & Revisions			

Douglas Business Park,
Carrigaline Rd,
Douglas, Cork,
T12 P088

T: + 353 (0)21 436 292
W: www.reddyarchitecture.com
E: info@reddyarchitecture.com

Client Details:

Monami Construction

Project Details:

New Primary Care Centre at Boot road, Convent Road, Fonthill Road & St.Johns Road, Dublin 22

Drawing Title:

Proposed Bus Shelter

Job No. P21-051C	Sheet Size:	Scale @A3 1:50
Issue Date: 06/09/22	Drawn By: M.O'Flynn	Reviewed By: N. Chisholm
Status S3	Purpose of Issue PLANNING	
Project-Originator-Zone-Level-Type-Role-Classification-Number P21-051C-RAU-XX-XX-DR-A-3003		Revision P01