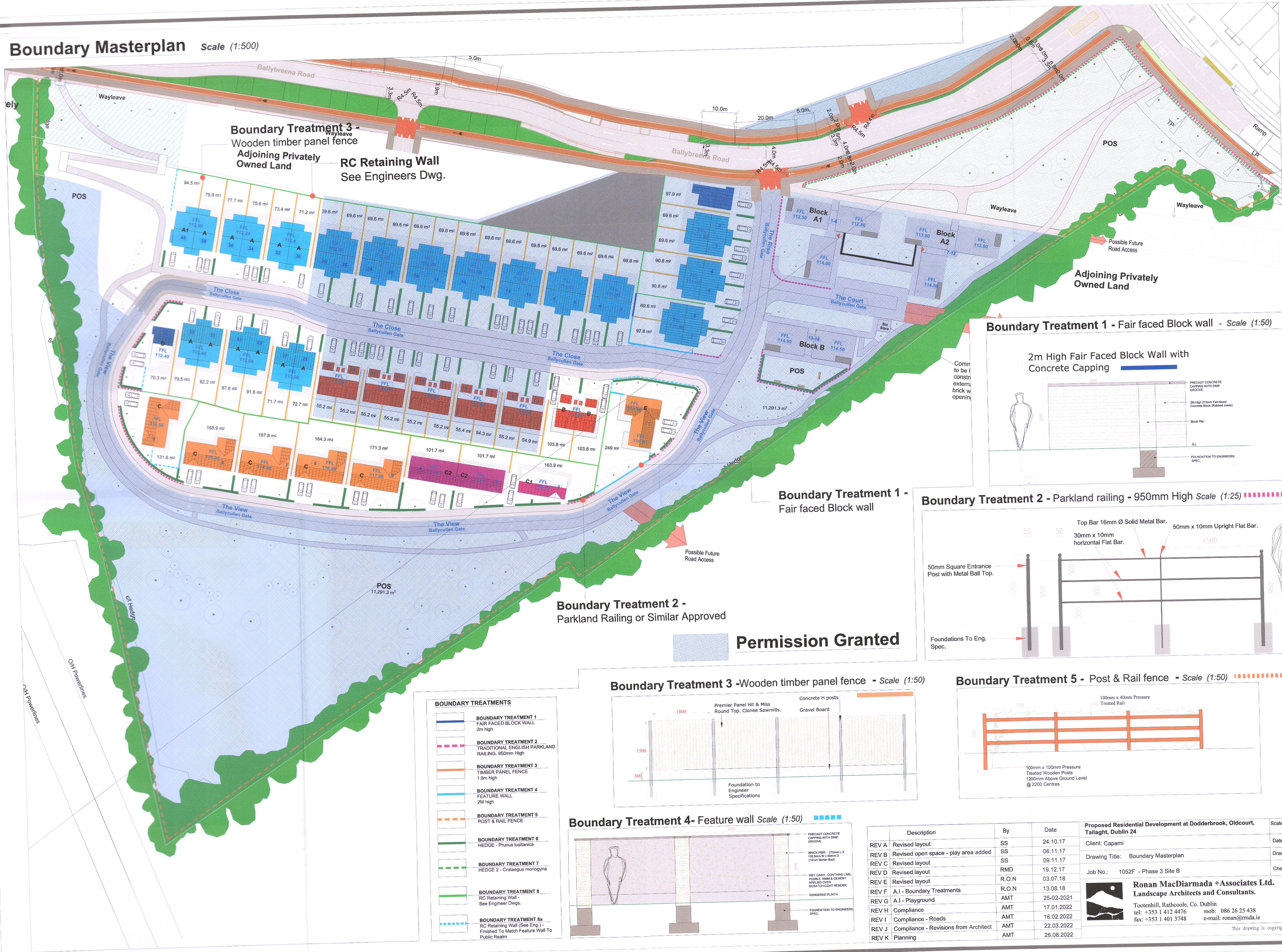


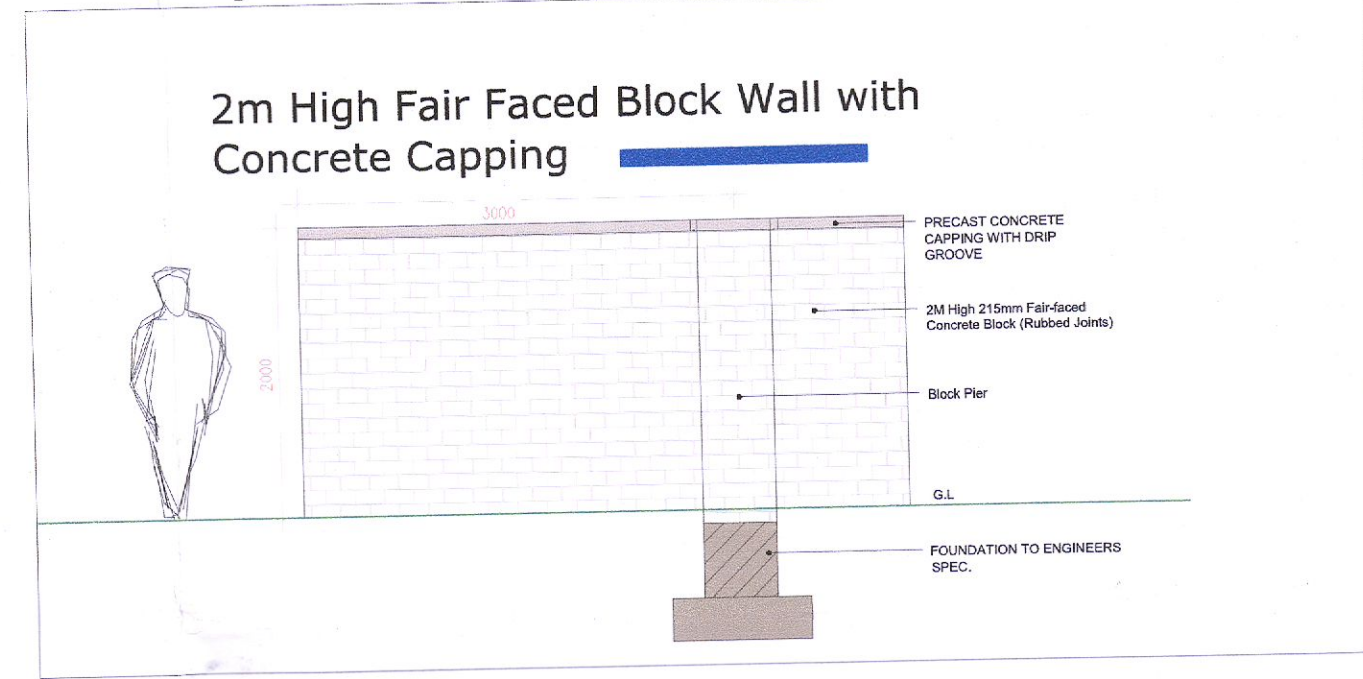
Boundary Masterplan Scale (1:500)



Boundary Treatment 3 -
Wooden timber panel fence
Adjoining Privately
Owned Land

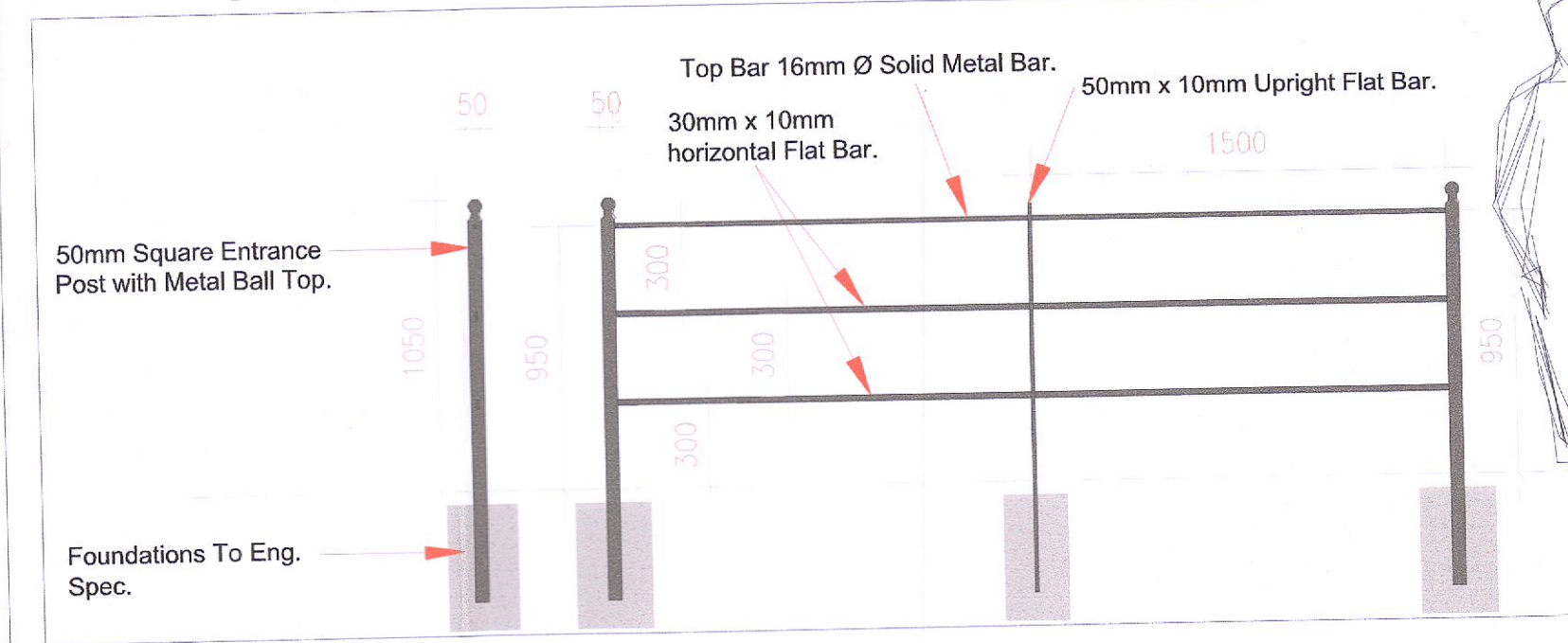
RC Retaining Wall
See Engineers Dwg.

Boundary Treatment 1 - Fair faced Block wall - Scale (1:50)



Boundary Treatment 1 -
Fair faced Block wall

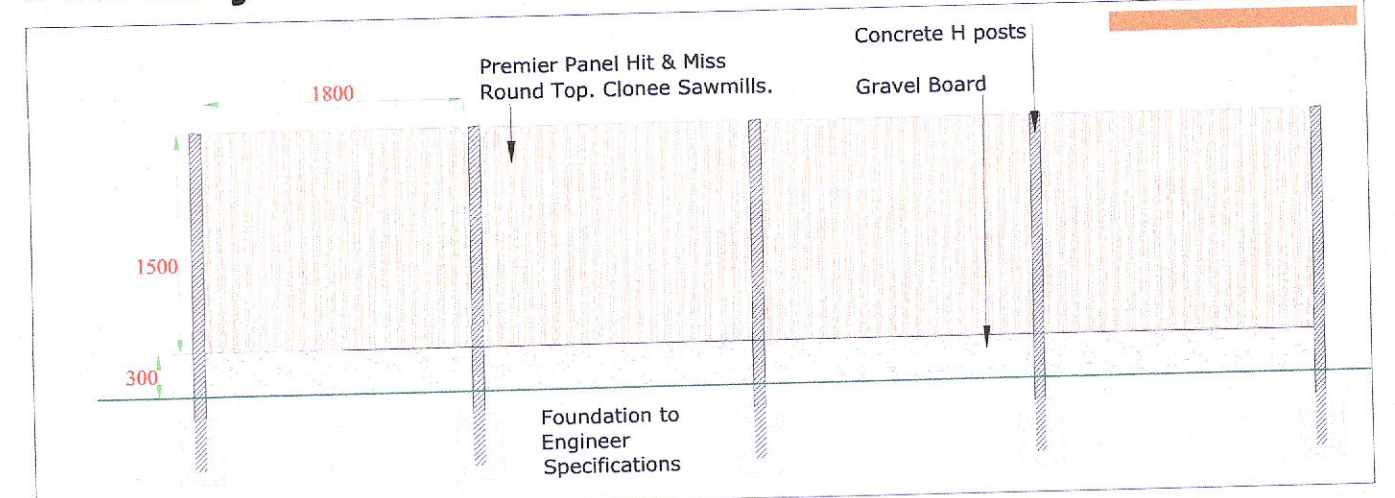
Boundary Treatment 2 - Parkland railing - 950mm High Scale (1:25)



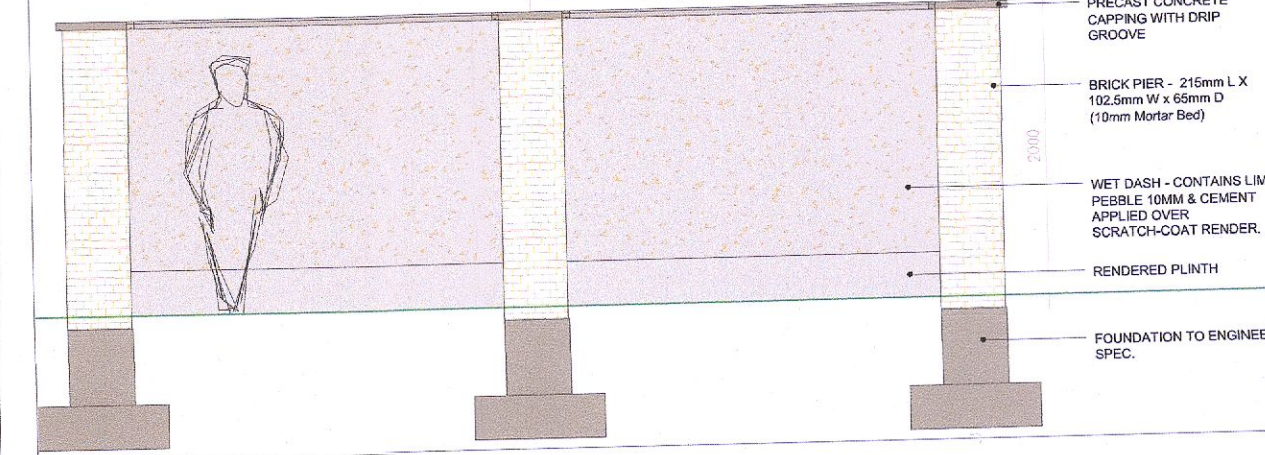
Boundary Treatment 2 -
Parkland Railing or Similar Approved

Permission Granted

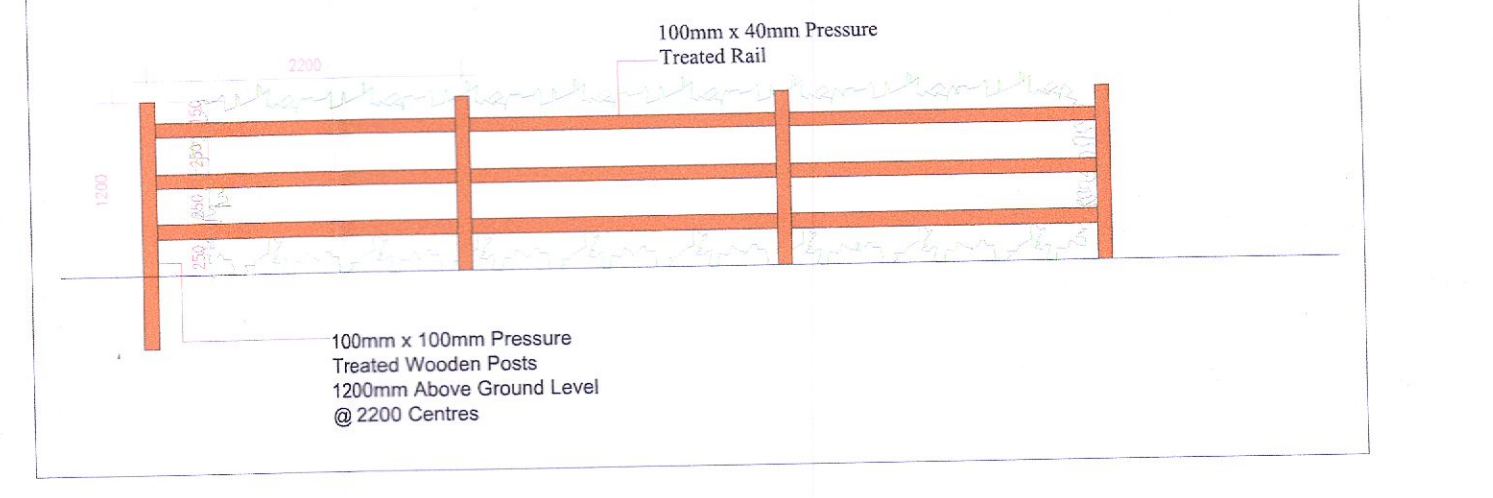
Boundary Treatment 3 - Wooden timber panel fence - Scale (1:50)



Boundary Treatment 4 - Feature wall Scale (1:50)



Boundary Treatment 5 - Post & Rail fence - Scale (1:50)



- BOUNDARY TREATMENTS**
- BOUNDARY TREATMENT 1**
FAIR FACED BLOCK WALL
2m high
 - BOUNDARY TREATMENT 2**
TRADITIONAL ENGLISH PARKLAND
RAILING, 950mm High
 - BOUNDARY TREATMENT 3**
TIMBER PANEL FENCE
1.8m high
 - BOUNDARY TREATMENT 4**
FEATURE WALL
2M high
 - BOUNDARY TREATMENT 5**
POST & RAIL FENCE
 - BOUNDARY TREATMENT 6**
HEDGE - Prunus lusitanica
 - BOUNDARY TREATMENT 7**
HEDGE 2 - Crataegus monogyna
 - BOUNDARY TREATMENT 8**
RC Retaining Wall -
See Engineer Dwg.
 - BOUNDARY TREATMENT 8a**
RC Retaining Wall (See Eng.) -
Finished To Match Feature Wall To
Public Realm

| Description | By | Date |
|---|-------|------------|
| REV A Revised layout | SS | 24.10.17 |
| REV B Revised open space - play area added | SS | 06.11.17 |
| REV C Revised layout | SS | 09.11.17 |
| REV D Revised layout | RMD | 19.12.17 |
| REV E Revised layout | R.O.N | 03.07.18 |
| REV F A.1 - Boundary Treatments | R.O.N | 13.08.18 |
| REV G A.1 - Playground | AMT | 25-02-2021 |
| REV H Compliance | AMT | 17.01.2022 |
| REV I Compliance - Roads | AMT | 16.02.2022 |
| REV J Compliance - Revisions from Architect | AMT | 22.03.2022 |
| REV K Planning | AMT | 26.08.2022 |

Proposed Residential Development at Dodderbrook, Oldcourt, Tallaght, Dublin 24

Client: Capami

Drawing Title: Boundary Masterplan

Job No.: 1052F - Phase 3 Site B

Ronan MacDiarmada + Associates Ltd.
Landscape Architects and Consultants.

Tootenhill, Rathcoole, Co. Dublin
tel: +353 1 412 4476
fax: +353 1 401 3748

Scale: as shown
Date: 02.10.2017
Drawing By: AMT
Checked By: RMD

This drawing is copyright ©