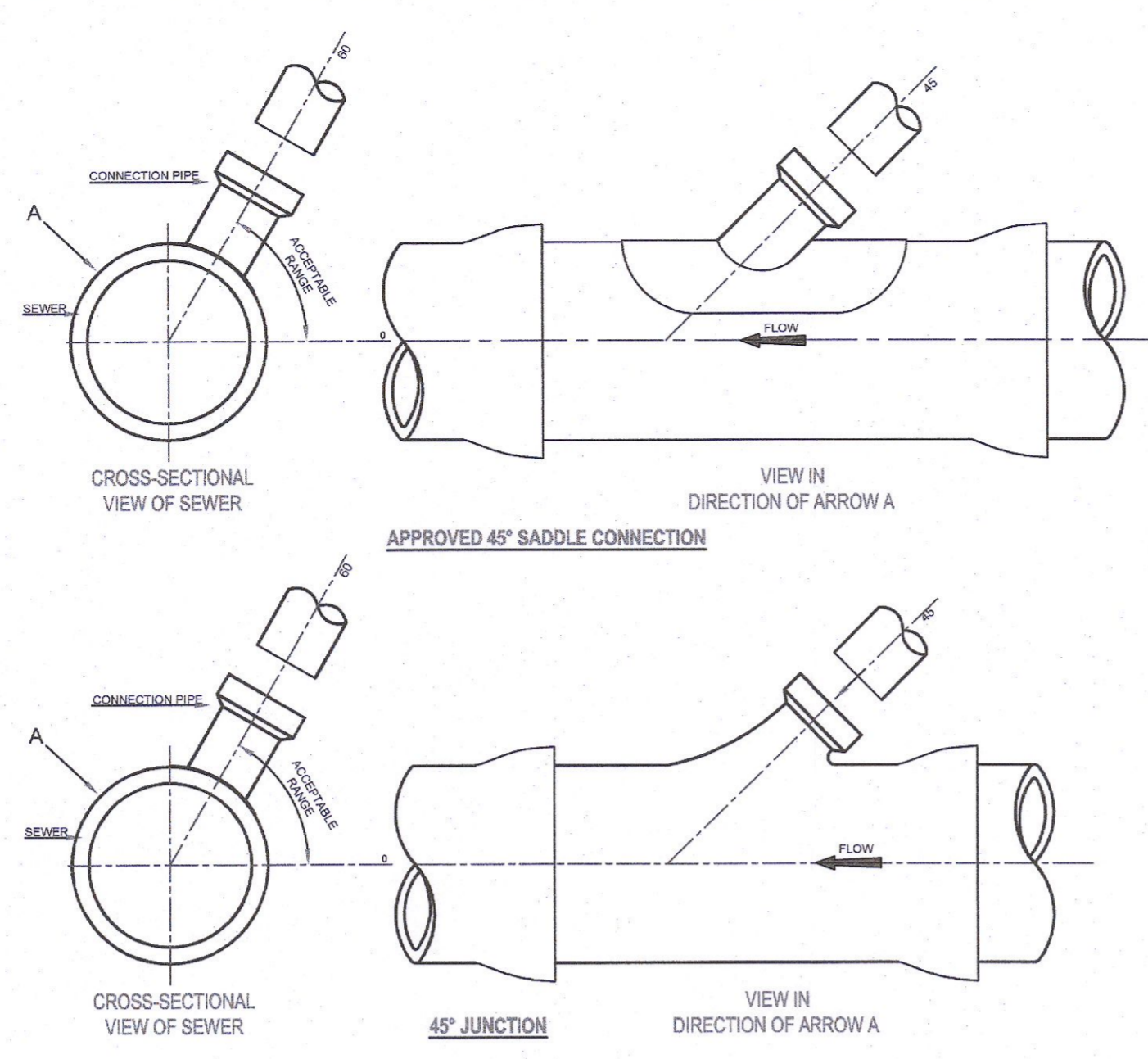
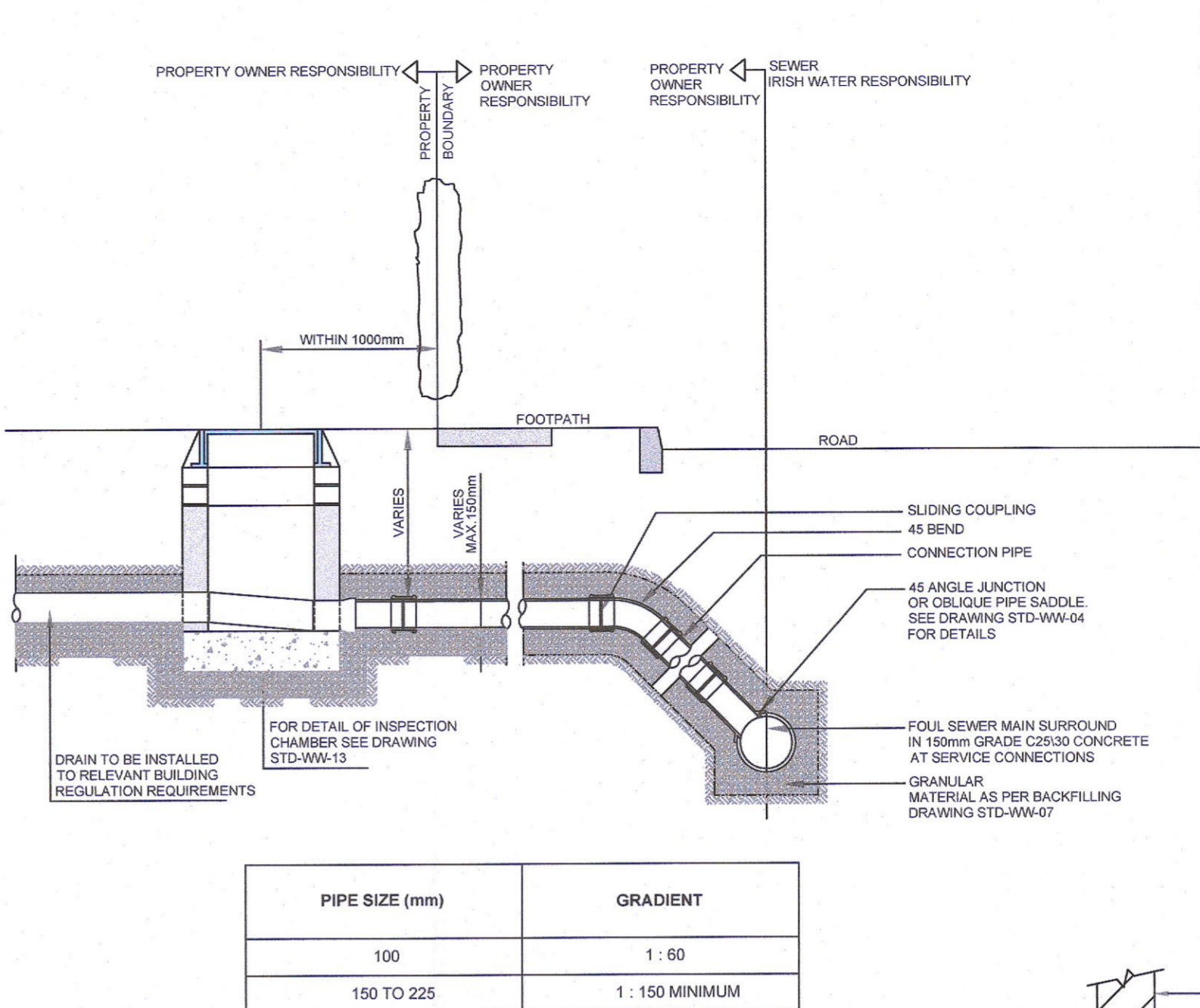


**TYPICAL LAYOUT OF SERVICES IN FOOTPATH / ROAD
 TYPICAL LAYOUT FOR SEWER
 WITHIN NEW DEVELOPMENTS
 DRAWING No.
 STD-WW-02**

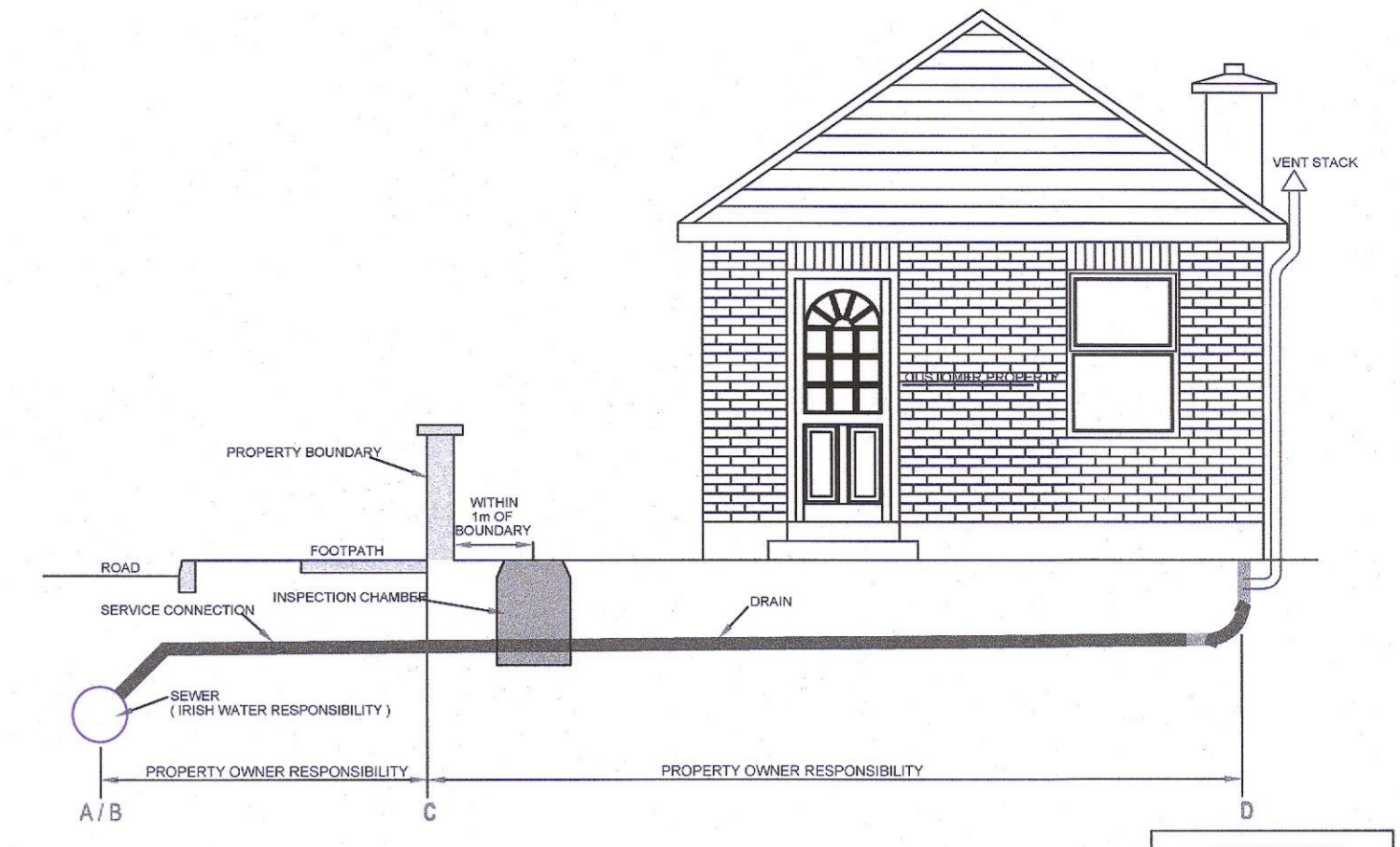


**TYPICAL SEWER / SERVICE PIPE
 CONNECTION
 DRAWING No.
 STD-WW-04**



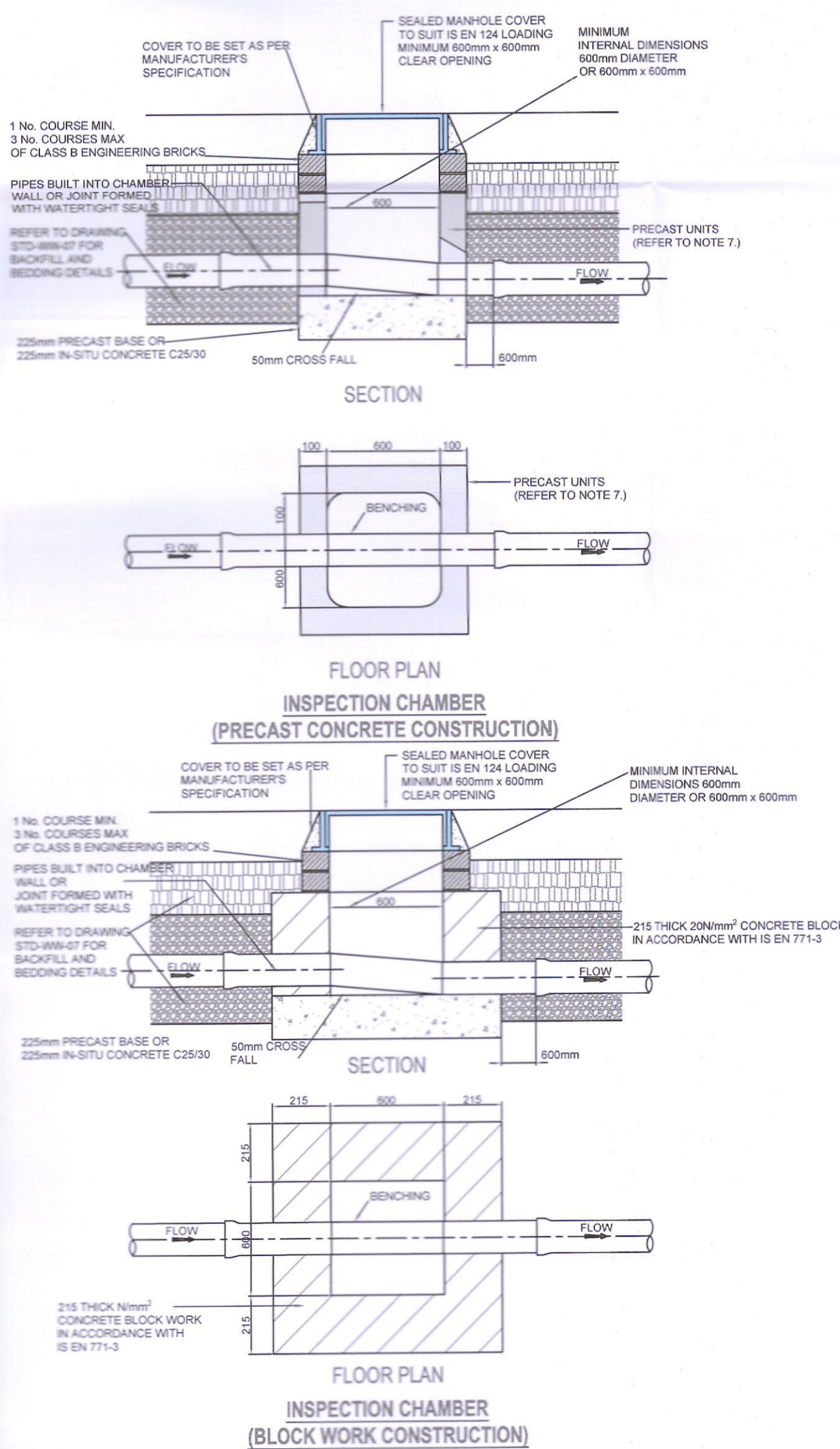
PIPE SIZE (mm)	GRADIENT
100	1:60
150 TO 225	1:150 MINIMUM

**DRAIN AND SERVICE CONNECTION PIPEWORK
 DRAWING No.
 STD-WW-03**

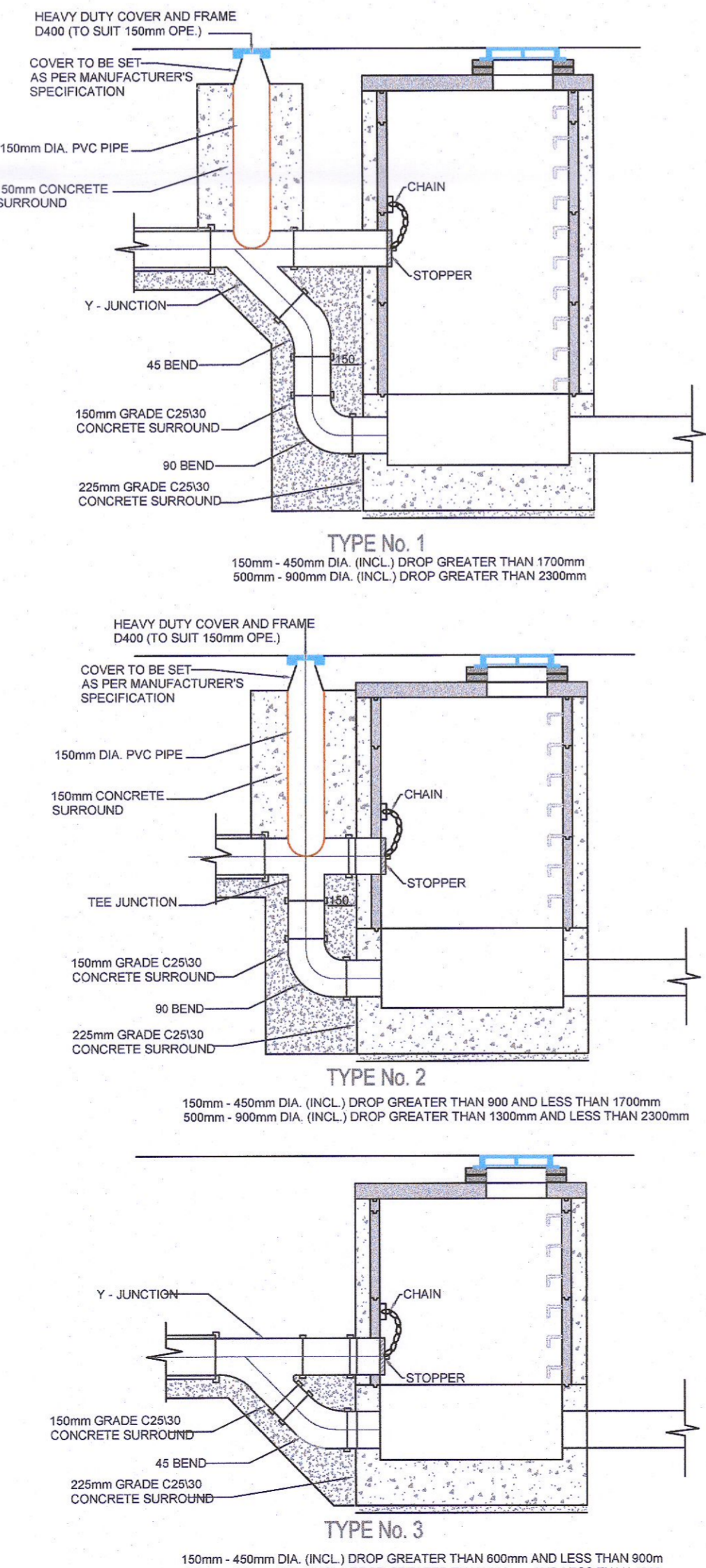


**WASTEWATER SERVICE
 CONNECTION RESPONSIBILITY
 DRAWING No.
 STD-WW-01**

	MAINTENANCE RESPONSIBILITY
(A) SEWER	IRISH WATER
(B/C) SERVICE CONNECTION (INCLUDING SADDLE)	PROPERTY OWNER
(D) INSPECTION CHAMBER	PROPERTY OWNER
(E) DRAIN	PROPERTY OWNER
INTERNAL PLUMBING	PROPERTY OWNER

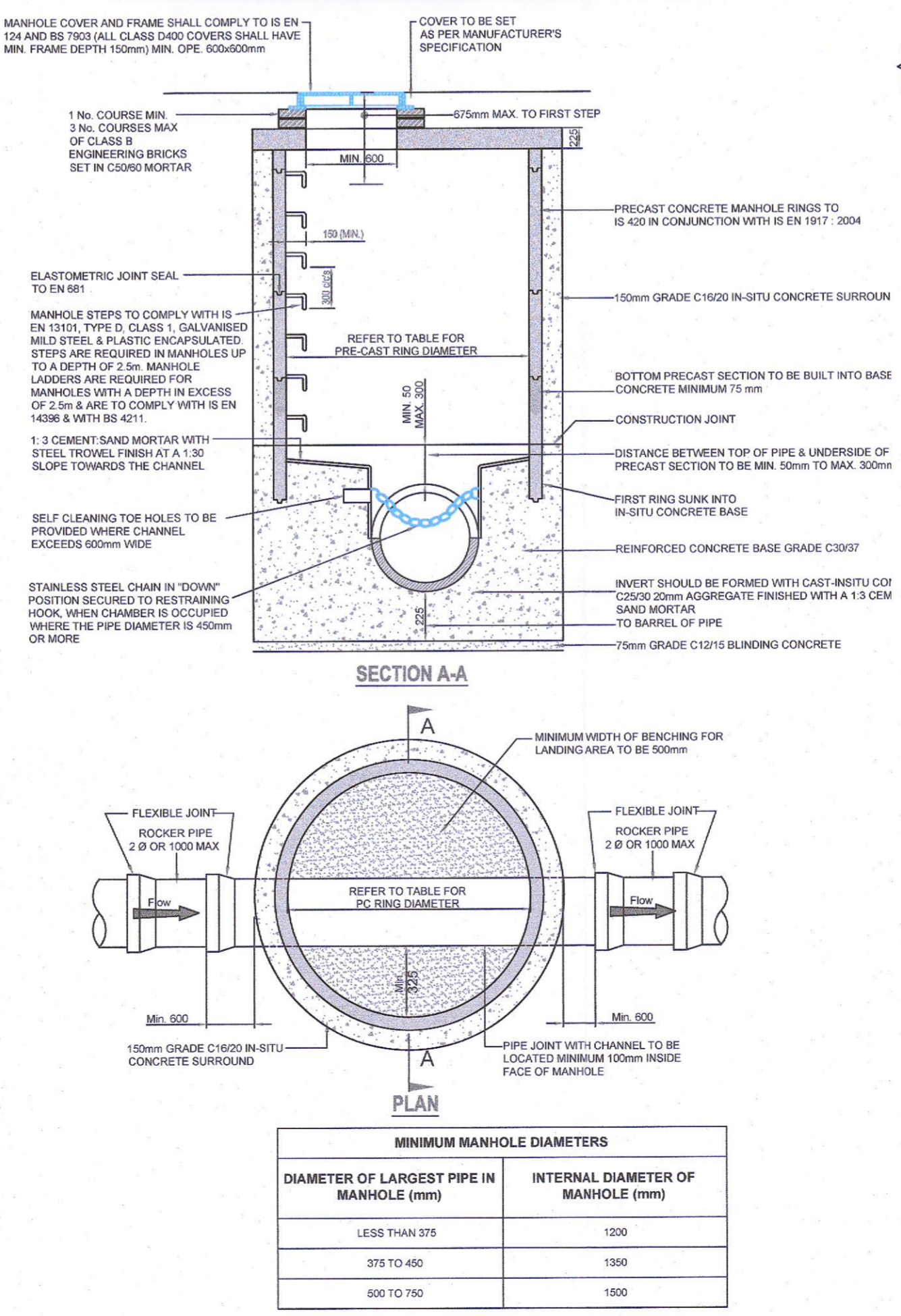


**PRIVATE SIDE INSPECTION CHAMBER
 DRAWING No.
 STD-WW-13**

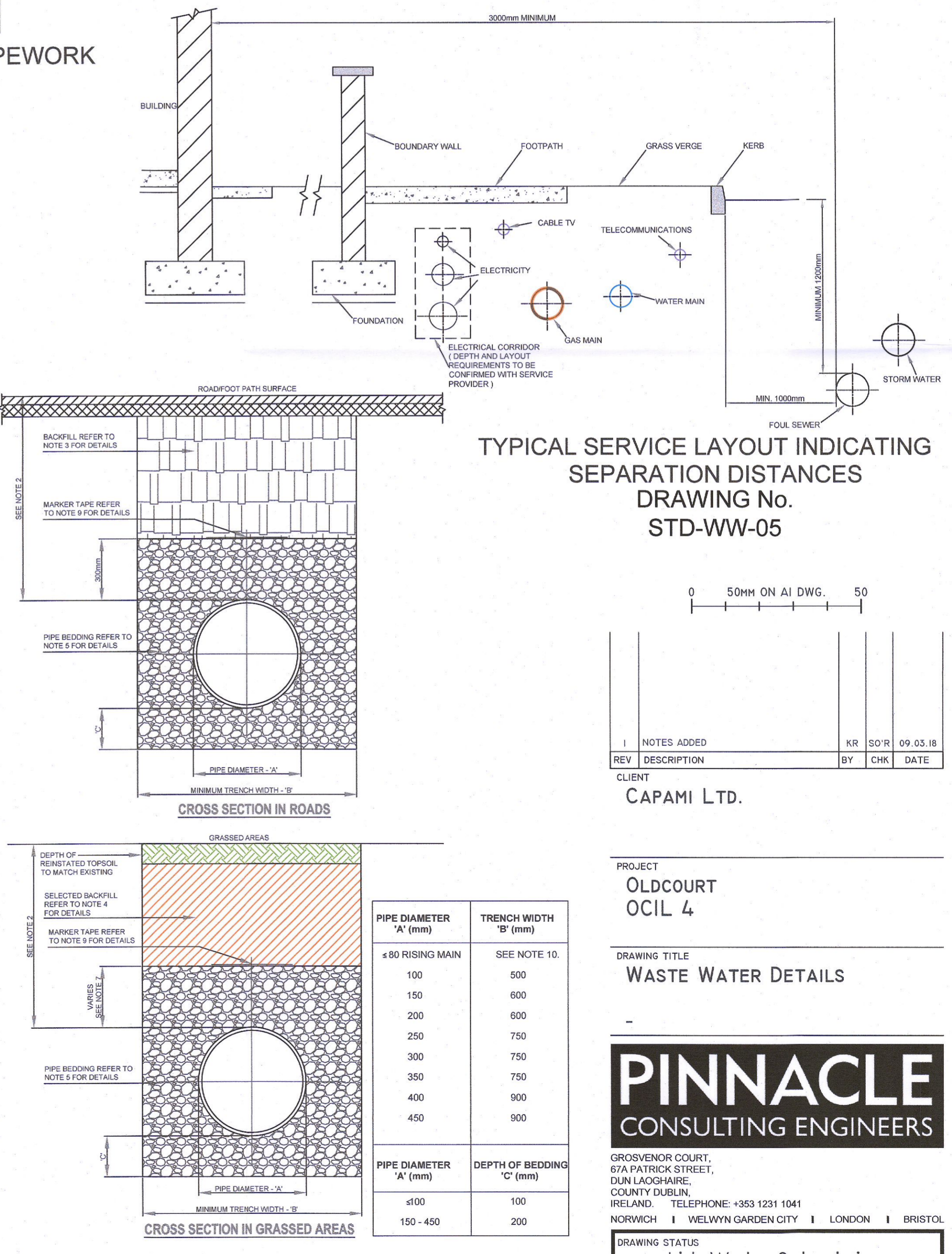


**BACKDROP MANHOLES
 DRAWING No.
 STD-WW-12**

NOTE:
 THIS DRAWING TO BE READ IN CONJUNCTION WITH IRISH WASTEWATER INFRASTRUCTURE STANDARD DETAILS, DOCUMENT NUMBER: IW-CDS-5030-01, JULY 2020. THIS INCLUDES FOR ALL RELEVANT NOTES PERTAINING TO EACH OF THE DETAILS AS INCLUDED. THIS DRAWING ALSO TO BE READ IN CONJUNCTION WITH DR. NO. P190302_257/258



**PRE-CAST CONCRETE MANHOLE
 DRAWING No.
 STD-WW-10**



**TRENCH BACKFILL AND BEDDING
 DRAWING No.
 STD-WW-07**

**TYPICAL SERVICE LAYOUT INDICATING
 SEPARATION DISTANCES
 DRAWING No.
 STD-WW-05**

0 50MM ON A1 DWG. 50

REV	DESCRIPTION	BY	CHK	DATE
1	NOTES ADDED	KR	SO'R	09.03.18

CLIENT
CAPAMI LTD.

PROJECT
**OLD COURT
 OCIL 4**

DRAWING TITLE
WASTE WATER DETAILS

**PINNACLE
 CONSULTING ENGINEERS**

GROSVENOR COURT,
 67A PATRICK STREET,
 DUN LAOGHAIRE,
 COUNTY DUBLIN,
 IRELAND. TELEPHONE: +353 1231 1041
 NORWICH | WELWYN GARDEN CITY | LONDON | BRISTOL

DRAWING STATUS
Irish Water Submission

SCALE	DATE	DRAWN BY	CHECKED
NTS	Jan. '22	FJvR	SO'R

DRG NO.	REVISION	SHEET SIZE
206	-	A1

COPYRIGHT PINNACLE