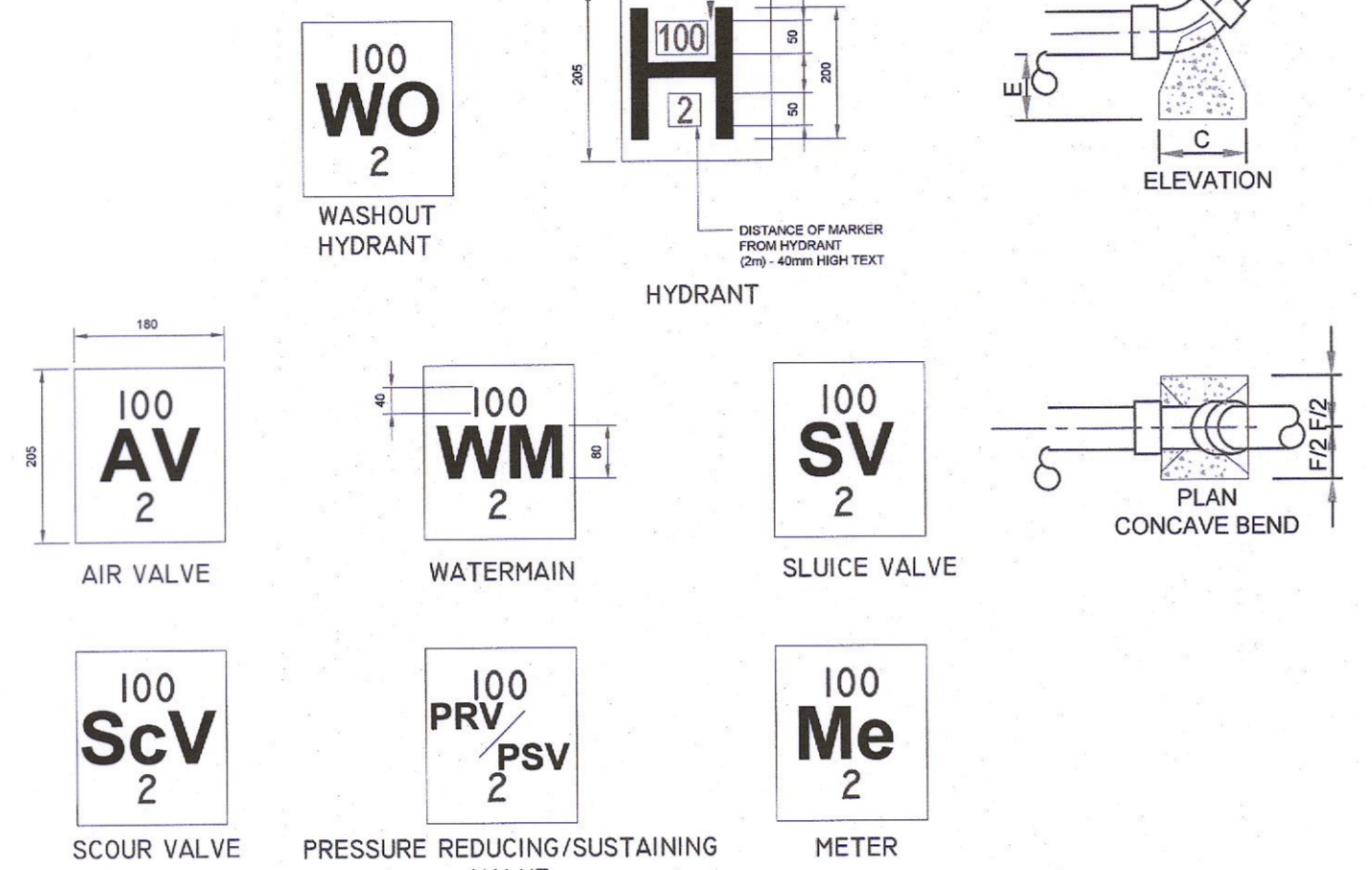
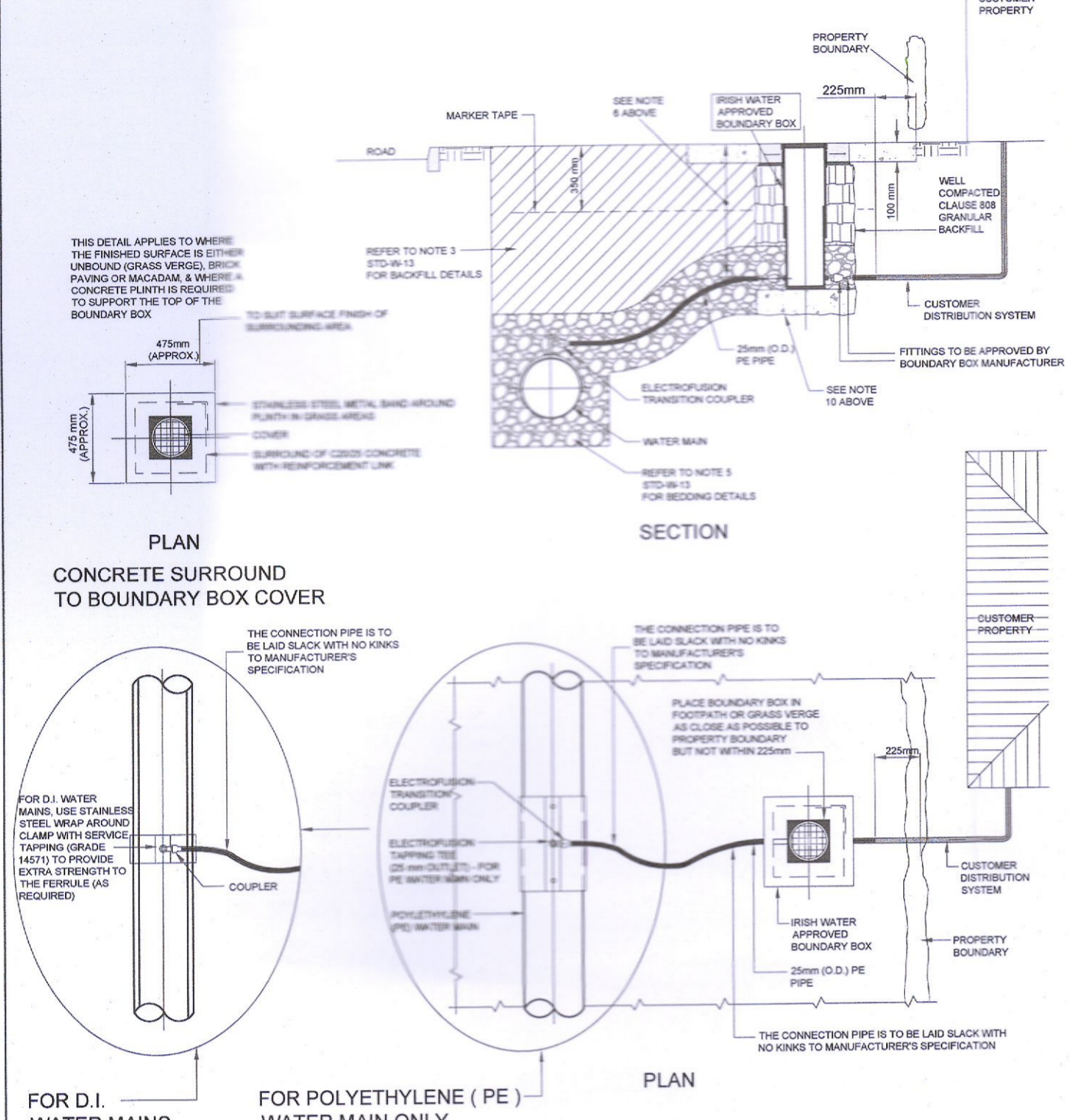
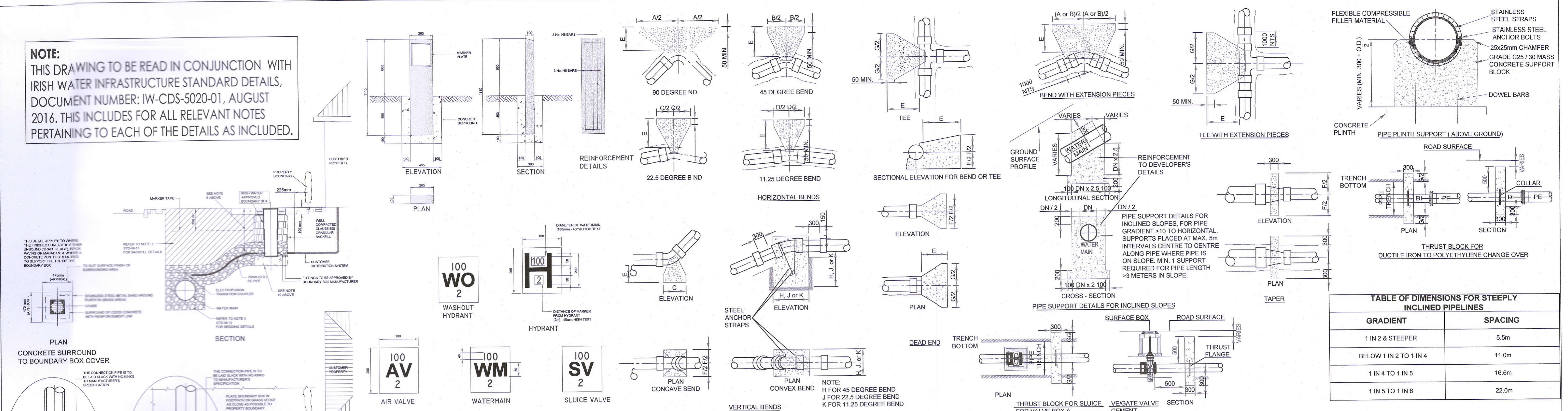
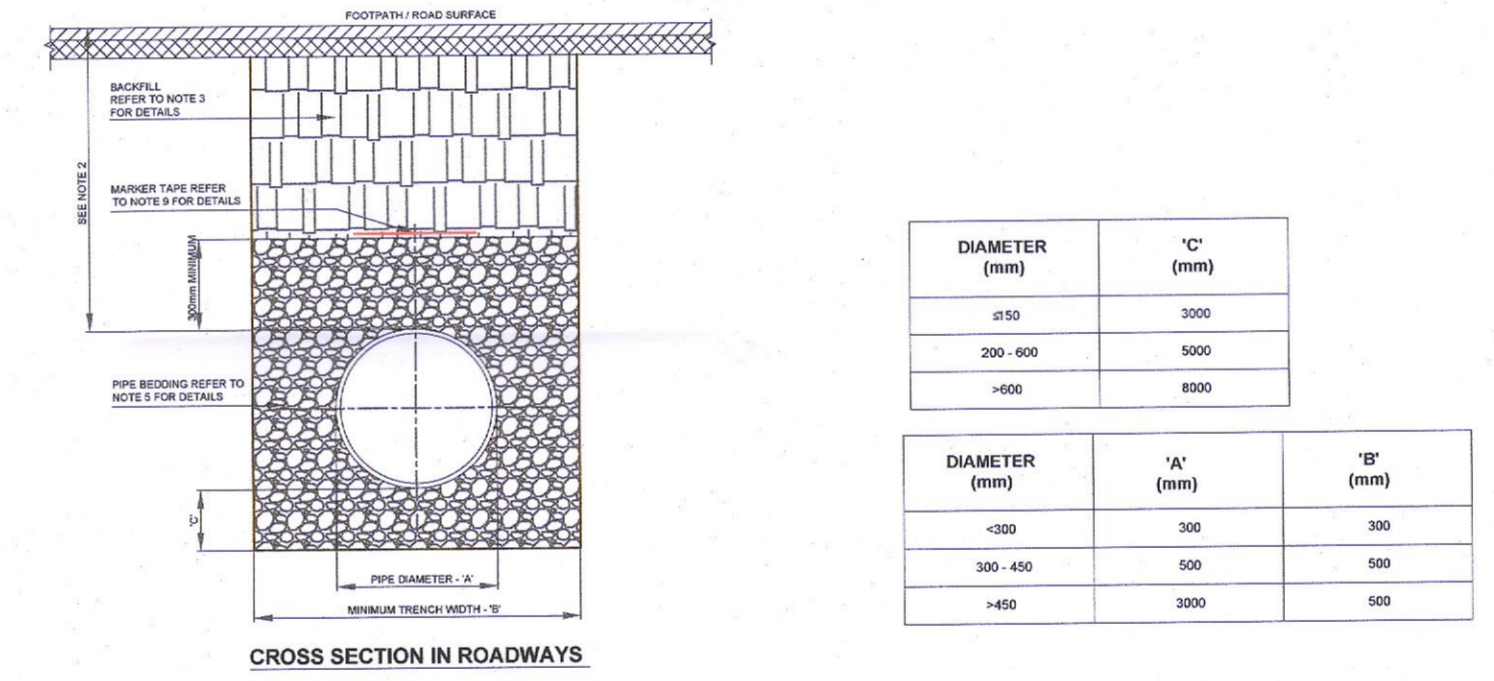


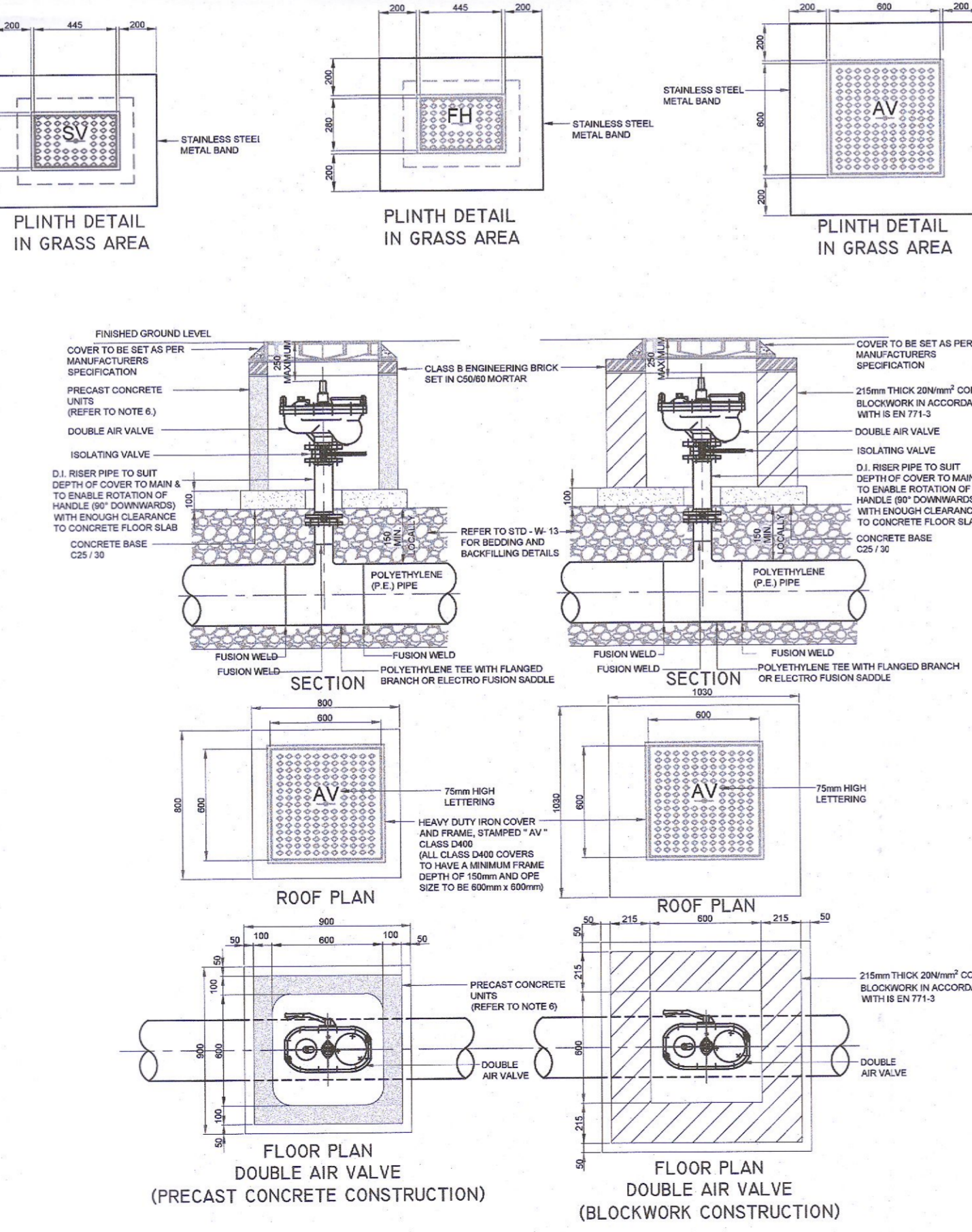
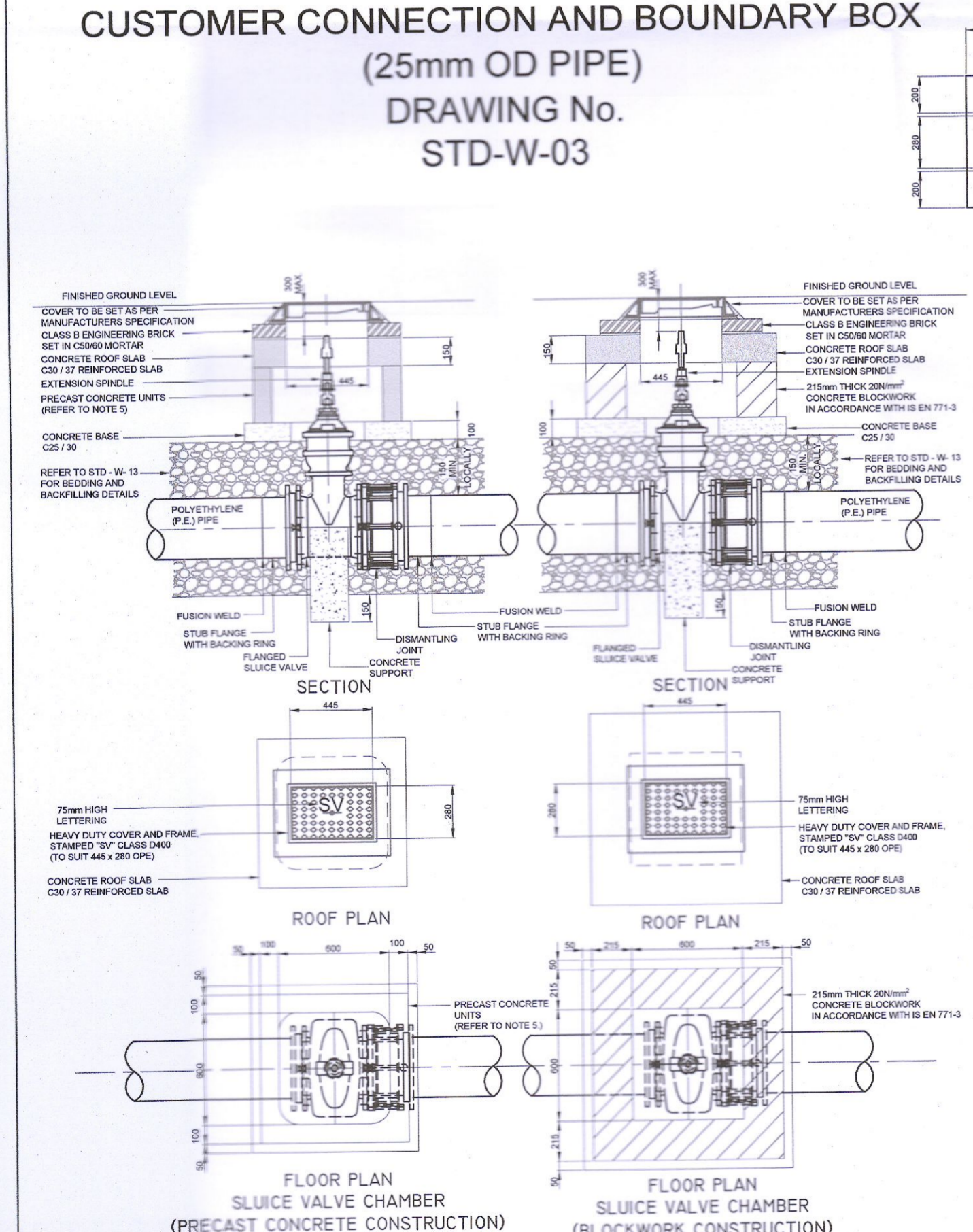
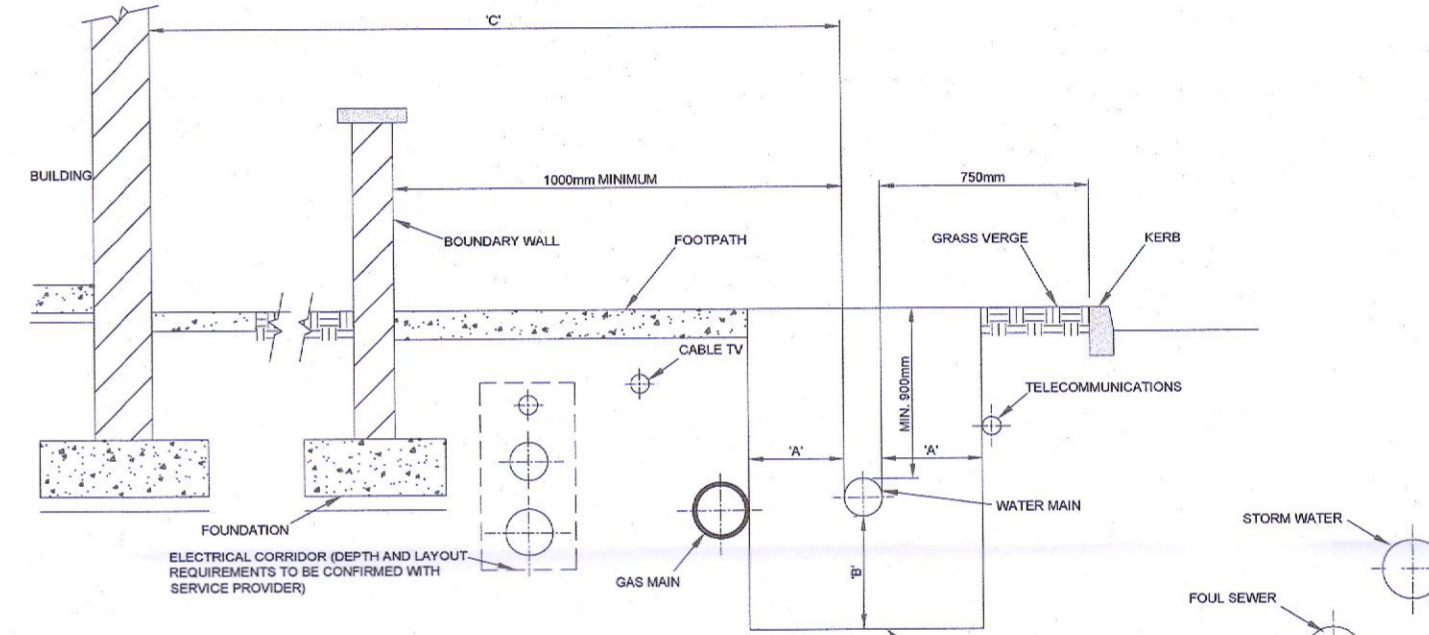
**NOTE:**  
THIS DRAWING TO BE READ IN CONJUNCTION WITH IRISH WATER INFRASTRUCTURE STANDARD DETAILS, DOCUMENT NUMBER: IW-CDS-5020-01, AUGUST 2016. THIS INCLUDES FOR ALL RELEVANT NOTES PERTAINING TO EACH OF THE DETAILS AS INCLUDED.



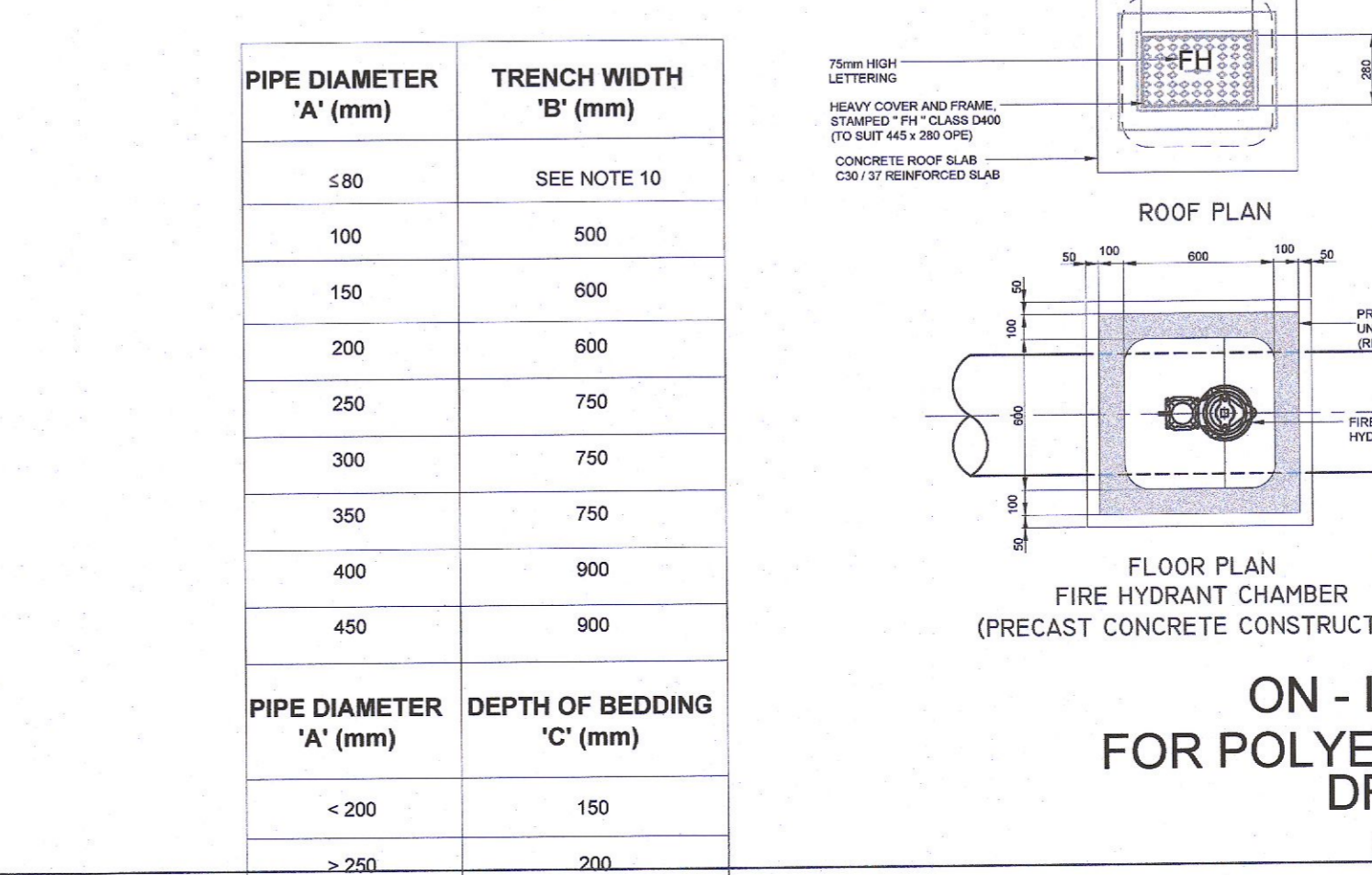
**WATER MAIN THRUST AND SUPPORT BLOCKS**  
DRAWING No. STD-W-28



**TYPICAL SERVICE LAYOUT**  
INDICATING SEPARATION DISTANCES  
DRAWING No. STD-W-11



**ON - LINE HYDRANT**  
FOR POLYETHYLENE (P.E.) PIPE  
DRAWING No. STD-W-18



CLIENT: CAPAMI LTD

PROJECT: OLD COURT OCIL 4

DRAWING TITLE: WATER DETAILS

**PINNACLE CONSULTING ENGINEERS**

GROSVENOR COURT, 67A PATRICK STREET, DUN LAOGHAIRE, COUNTY DUBLIN IRELAND  
TELEPHONE: +353 1231 1041  
WELWYN GARDEN CITY | NORWICH | LONDON | THE HAGUE

REV	DESCRIPTION	BY	CHK	DATE
-	-	-	-	-

DRAWING STATUS: IRISH WATER SUBMISSION

SCALE @ AI	DATE	DRAWN BY	CHECKED
1:500	JAN '22	FJVR	SO'R

DRG NO. P190302-205  
COPYRIGHT PINNACLE

REF: 190302