

A1

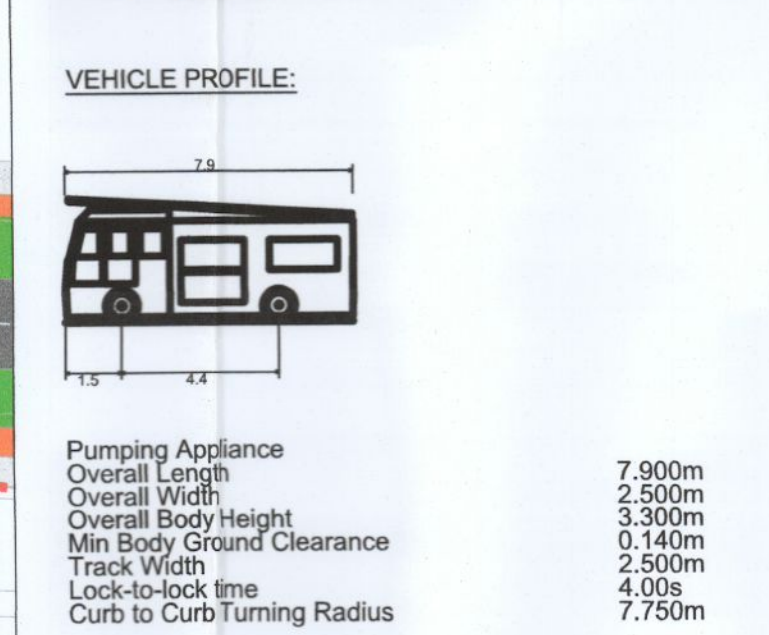
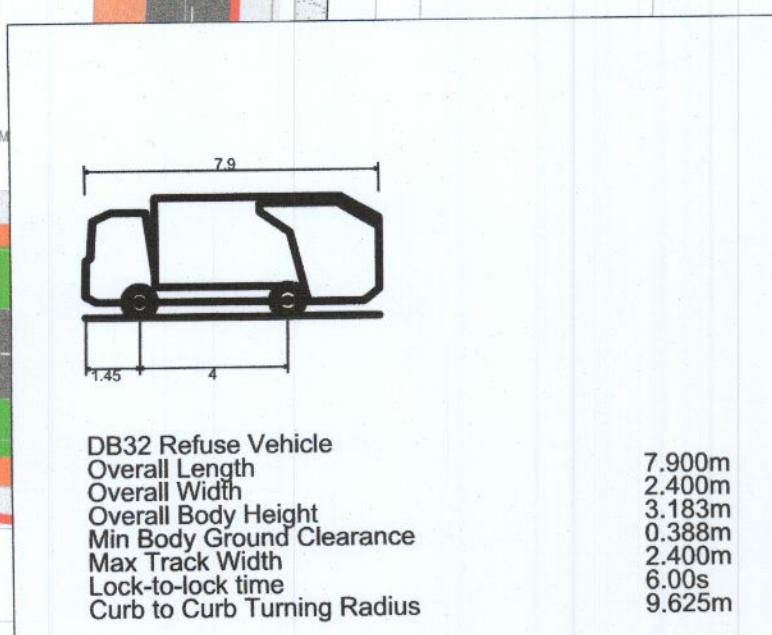
DO NOT SCALE

File: 5150924\_HTR\_10\_SK\_0003.dwg  
Date: Aug 10, 2022 - 10:09pm  
Plotted by: M.Korykowsky



- GENERAL NOTES**
1. ALL DIMENSIONS ARE IN MILLIMETRES UNLESS NOTED OTHERWISE
  2. ONLY WRITTEN DIMENSIONS SHALL BE USED. NO DIMENSIONS SHALL BE SCALED FROM THE DRAWINGS
  3. ALL LEVELS ARE IN METRES AND ARE TO MALIN HEAD DATUM
  4. ALL COORDINATES ARE IN METRES AND ARE TO IRISH TRANSVERSE MERCATOR

- LEGEND:**
- PROPOSED CARRIAGEWAY ( AVENUE)
  - PROPOSED CARRIAGEWAY ( LOCAL STREET)
  - PROPOSED CYCLE LANE
  - PROPOSED FOOTPATH
  - PROPOSED TRAFFIC PATH
  - PROPOSED PARKING DEVELOPMENT
  - PROPOSED PUBLIC PARKING
  - BUFFER AREA
  - PROPOSED SHARE SPACE
  - RAISED TABLE
  - PROPOSED BUS STOP
  - PROPOSED BUS SETDOWN AREA
  - TACTILE PAVING - BUFF
  - TACTILE PAVING - RED
  - PROPOSED VERGE
  - LANDSCAPE ARCHITECT DETAILS
  - LANDSCAPE ARCHITECT DETAILS
  - LOADING BAY
  - PROPOSED BUS STOP AREA
  - APPLICATION BOUNDARY



© ORDNANCE SURVEY IRELAND LICENSE No. AR 0082521  
© ORDNANCE SURVEY IRELAND & GOVERNMENT OF IRELAND

<p><b>ATKINS</b> Member of the SNC-Lavalin Group</p> <p>Atkins House, 150-155 Airside Business Park, Swords, Co. Dublin Tel (+353) 01 810 8000 Fax (+353) 01 810 8001</p> <p>Unit 2B, 2200 Cork Airport Business Park, Cork Tel (+353) 021 429 0300 Fax (+353) 021 429 0360</p> <p>1st Floor Technology House Parkmore Technology Park, Galway Tel (+353) 091 786 050 Fax (+353) 091 779 630</p>		<p>Purpose: <b>RFI RESPONSE</b></p>	
		<p>Client: <b>ADAMSTOWN STATION &amp; BOULEVARD LTD</b></p> <p>Title: <b>VEHICLE TRACKING REFUSE VEHICLE / FIRE ENGINE</b></p>	
<p>Project: <b>ADAMSTOWN BOULEVARD PHASE 1 - DEVELOPMENT</b></p>		<p>Original Scale: <b>1:500 at A1</b></p> <p>Design/Drawn: <b>AK</b> Date: <b>10.08.22</b></p> <p>Checked: <b>NVDB</b> Date: <b>10.08.22</b></p> <p>Authorised: <b>NVDB</b> Date: <b>10.08.22</b></p>	
<p>Rev Description</p>		<p>Status: <b>I</b> Drawing Number: <b>5150924-HTR-10-SK-0003</b> Rev: <b>-</b></p>	