

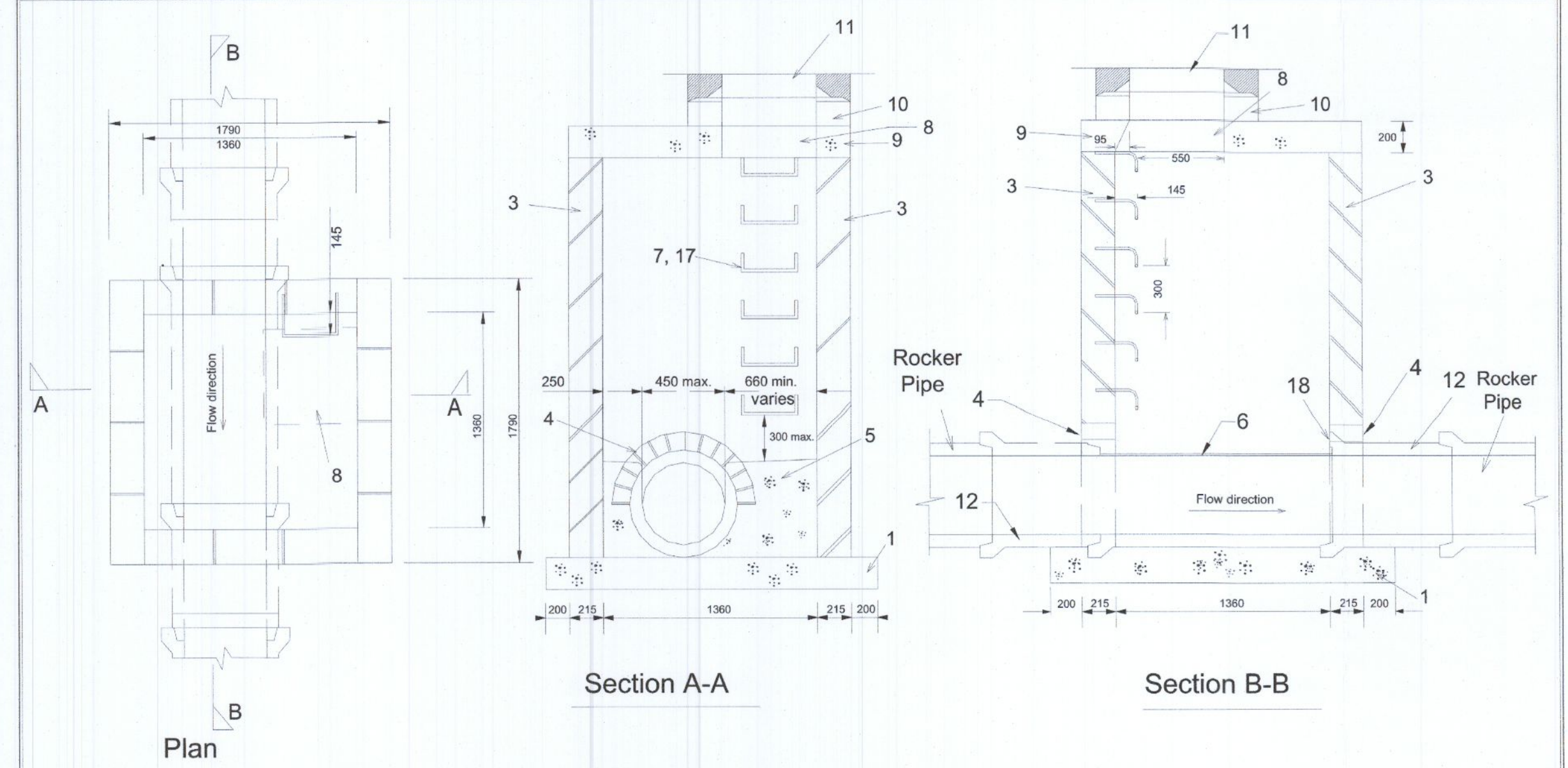
Plan Below Roof Slab

Section A-A

Section B-B

Manhole Details For Pipe Diam's. 150, 225, 300, 375, 450.
Depth to Invert Less than 1.0m.

Greater Dublin Regional Code of Practice for Drainage Works			
STANDARD MANHOLE DETAILS			
TYPE A MANHOLE			
Drawn: JOM	Checked:	Approved:	
Date: FEB 2000	Scale: NOT TO SCALE	Drawing No: 212701	Revised: 12/11/02
Author:		Maker:	NTS



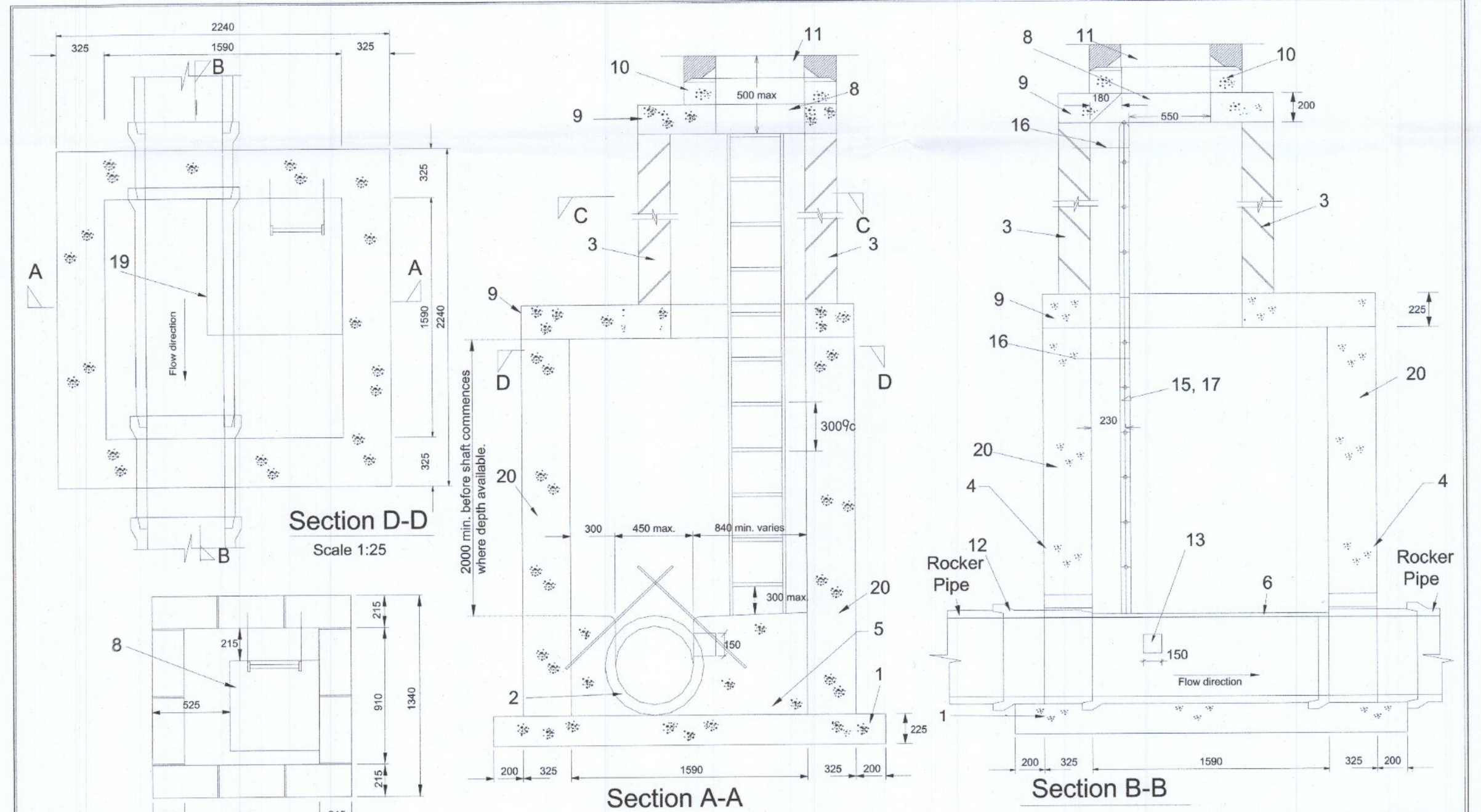
Plan

Section A-A

Section B-B

Manhole Details For Pipe Diam's. 225, 300, 375, 450.
Depth to Invert 1m to 3m.

Greater Dublin Regional Code of Practice for Drainage Works			
STANDARD MANHOLE DETAILS			
TYPE B MANHOLE			
Drawn: JOM	Checked:	Approved:	
Date: FEB 2000	Scale: NOT TO SCALE	Drawing No: 212702	Revised: 12/11/02
Author:		Maker:	NTS



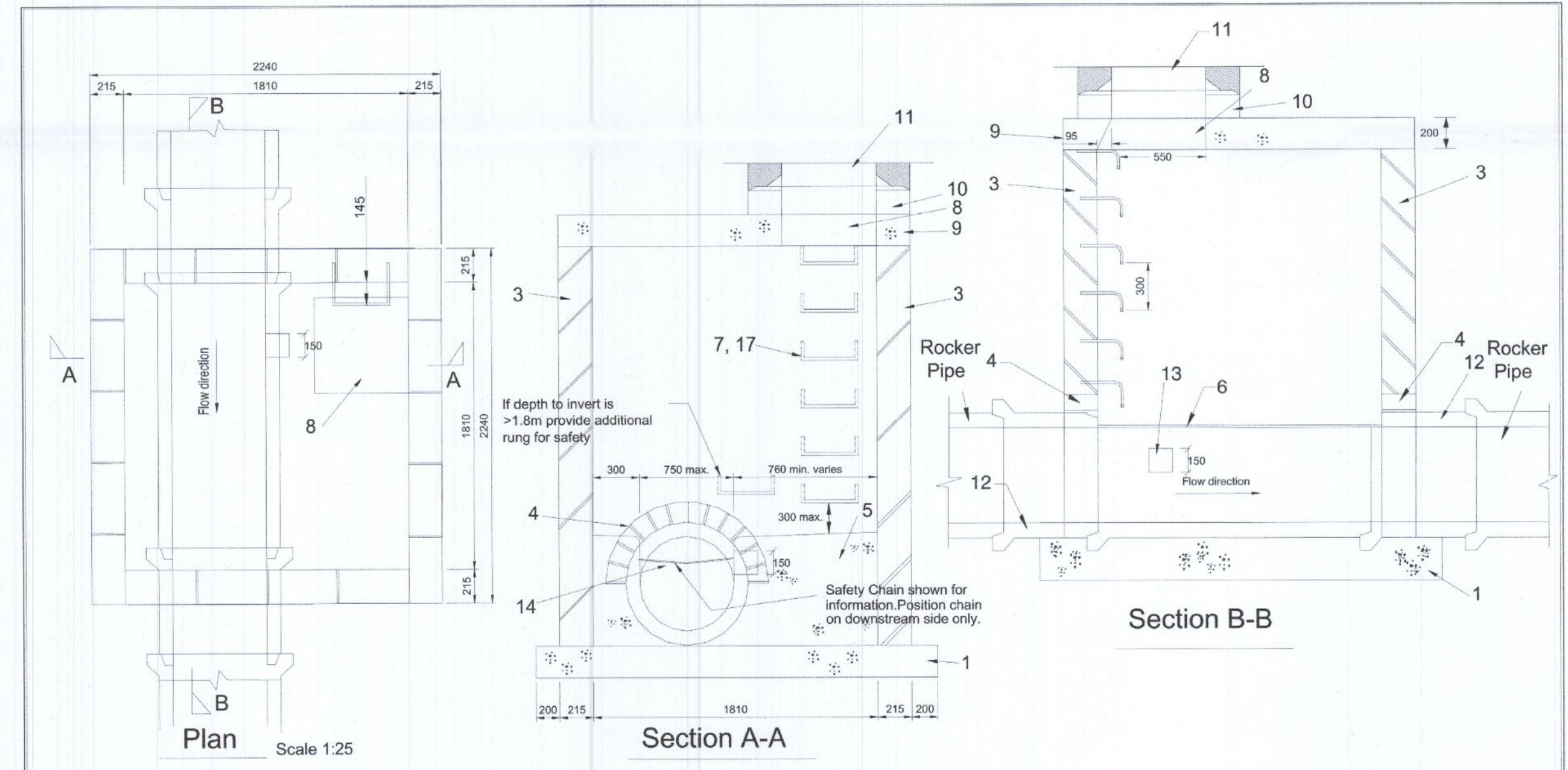
Section D-D
Scale 1:25

Section A-A

Section B-B

Manhole Details For Pipe Diam's. 225, 300, 375, 450.
Depth to Invert 3m. to 6m.

Greater Dublin Regional Code of Practice for Drainage Works			
STANDARD MANHOLE DETAILS			
TYPE C MANHOLE			
Drawn: JOM	Checked:	Approved:	
Date: FEB 2000	Scale: NOT TO SCALE	Drawing No: 212703	Revised: 12/11/02
Author:		Maker:	NTS



Plan
Scale 1:25

Section A-A

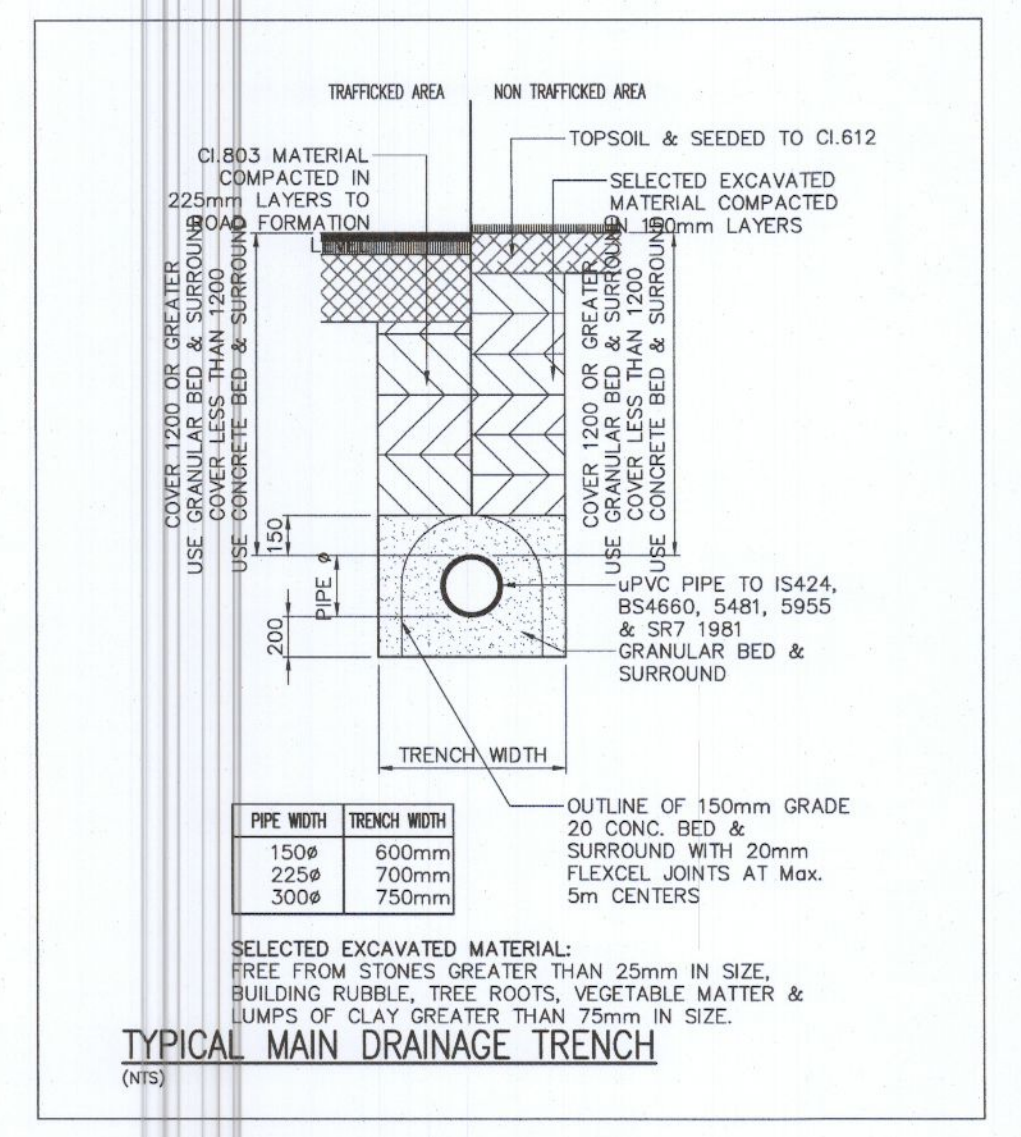
Section B-B

Manhole Details For Pipe Diam's. 525, 600, 675 & 750mm
Depth to Invert 1.0m to 3m.

Greater Dublin Regional Code of Practice for Drainage Works			
STANDARD MANHOLE DETAILS			
TYPE D MANHOLE			
Drawn: JOM	Checked:	Approved:	
Date: FEB 2000	Scale: NOT TO SCALE	Drawing No: 212704	Revised: 12/11/02
Author:		Maker:	NTS

- Drawing Notes:**
- 225mm thick CI 20/20mm Mass Concrete Foundations.
 - Performed half circle channel pipes. The pipeline may, where practicable, be laid through the manhole and the crown cut out to half diameter, provided flexible joints are situated on each side no further than 600mm from the inner face of manhole wall.
 - Manhole construction:
 - For Surface Water Manholes high-density blocks to CI 510 of IS 20 Part 1:1987 or CI 30/20mm mass concrete.
 - Block work shall be bedded and jointed using mortar to IS 406. Beds and vertical joints shall be completely filled with mortar as the blocks are laid.
 - Joints shall be flush pointed as the work proceeds.
 - All Four Manholes must be faced in solid Engineering Brick (min. class A or B), or in situ concrete for 1 metre above Benching Level.
 - Brick to be bedded to block work using English Garden Wall Bond.
 - Relieving arch formed by 215x103x65 solid engineering brick Class A or B as per drawing. Relieving arches used in brick or block work manholes extend over full thickness of wall. A Double Arch is to be formed for pipe diameters greater than 600mm.
 - Benching and pipe channel pipe surround - CI 20/20 concrete.
 - Benching finished in 2:1 sand-cement mortar with a smooth trowel finish, at 1 in 30 slope towards channel.
 - Standard rungs in 300c vertically and galvanized to the latest version of BS 729 or equivalent. Note: Steps Irons are not acceptable.
 - 600mm square epi in roof slab.
 - Pre-cast R.C. Roof Slab shall be 200mm thick in Class 30/20mm, with 40mm cover to steel.
 - 1 to 2 courses of solid engineering bricks CI B to IS 91:1983 set in 1:3 (cement and mortar).
 - Class D40 or E300 manhole cover and frame to IS EN 124. 150mm deep frame for roads and 100mm deep for footpaths and green areas. Non-rock design, closed keyways, manufactured from spherulitic graphite cast iron (ductile cast iron), 600 x 600 (600diam) clear opening cover and frame coated in bitumen or other approved material, cover to have a minimum mass of 140kg/m², frame bearing area shall be 80,000mm². Steel frames shall comply with Type A, Section 2.2.7.2.5.10 Part 1:1987. Frames shall be bedded on approved mortar to manufacturer's instructions.
 - Short length pipe and pipe joint external to manhole shall not exceed 600mm from the inner face of manhole wall.
 - Top holes of 200mm minimum depth and galvanized steel safety railings to be provided in benching of sewers greater than 525mm diameter and depth to invert >3m for access to invert.
 - A safety chain is to be provided on pipes that exceed 450mm in diameter. Mild safety chain shall be 10mm nominal size grade M16 non-carbonized chain, type 1, complying with B.S. 6442 Part 2 or equivalent.
 - When depth of manholes to invert is greater than 3.0m ladders shall be used instead of rungs to BS 4211 or equivalent except that stringers should be not less than 65 x 12mm in section and rungs 25mm in diameter. Fixed ladders should meet the dimensional requirements of BS 4211 or equivalent.
 - Ladder stringers should be adequately supported from the manhole wall at intervals of not more than 2.0m stringers should be bolted to cleats to facilitate removal.
 - All ladders, rungs, handrails, safety chains etc shall be hot dip galvanized to BS 729 or equivalent.
 - Pipe should be cut flush with the inside surface of the manhole wall so that the channel extends the full length of the manhole (except for precast manholes).
 - Position of 910 square epi in intermediate roof slab.
 - All manholes shall be watertight to the satisfaction of the Engineer.
 - Formwork to Reinforced Concrete and Mass Concrete shall comply with Class 2, Section 6.2.7. B.S. 8110: Part 1: 1987.
 - Finish to the top of slabs shall comply with Type A, Section 2.2.7.2.5.10 Part 1:1987.
 - Plan dimensions of manholes are based on block work having a coordinating size of 450 x 225 x 100.
 - Manholes are designed to BS 8005 and wall thickness to BS 325 block work design code taking granular fill pressure and H.B. surcharge.
 - Reinforcement to slabs to Engineers details.
 - For manholes >3m depth to invert use 30/20mm in situ concrete. Reinforcing mesh ref. A383 @ 6.15kg/m to be fixed at mid point of wall. Additional reinforcement to be supplied over pipe crown.
 - For pre cast Manholes, Chamber walls and cover slab to be constructed to IS EN 1917 and IS 420:2004
 - Manhole openings to be situated furthest from the nearest Carriageway. Manhole steps / access to be positioned to allow viewing of oncoming traffic.
 - For bedding and sealing of Chamber rings, the top ring (to Pre cast cover slabs) and bottom ring to be bedded with cement mortar. For intermediate rings, joints to be sealed with approved pre-formed jointing strip.
 - Pre cast Manholes to be surrounded with a minimum of 150mm thick Grade C20/40 concrete.

- General Notes:**
- All brick to be Solid Engineering Brick Class A or B.
 - For pipe diameter >150mm use manhole with internal diameter size = pipe size + 1metre + 300mm.
 - Distance from the top rung of the ladder to ground level must be a maximum of 500mm.



TYPICAL MAIN DRAINAGE TRENCH (NTS)

Rev.	Date	By	CHK	App	Reason
PL1-2-0-01	20/02/00	JOM			ISSUED FOR PLANNING

Job Title: PROPOSED APARTMENTS AT NEILSTOWN ROAD DUBLIN 22	Drawing Title: SW MANHOLES, GULLIES, HYDROBRAKE MH, HEADWALL, AND BACKDROP DETAILS 3 OF 3	Client: JONA ARCHITECTS	Drawing No.: D1691-1	Date: 26/06/22	Scale: NTS	Drawing No.: D11-1	Rev. No.: PL1
--	---	-----------------------------------	--------------------------------	--------------------------	----------------------	------------------------------	-------------------------

KAVANAGH BURKE CONSULTING ENGINEERS Unit G3, Calamont Park, Galway, Co. Galway Dublin 12, Ireland Email: jkavanagh@kavanaghuburke.ie
--