

# *Landscape Rationale*

*To be read in conjunction with landscape drawings*

Ronan Mac Diarmada & Associates

Landscape Architects & Consultants

## **Open Space Development St. Edmunds, (Compliance)**



C516

# St. Edmunds

## Site Context – Surrounding Location



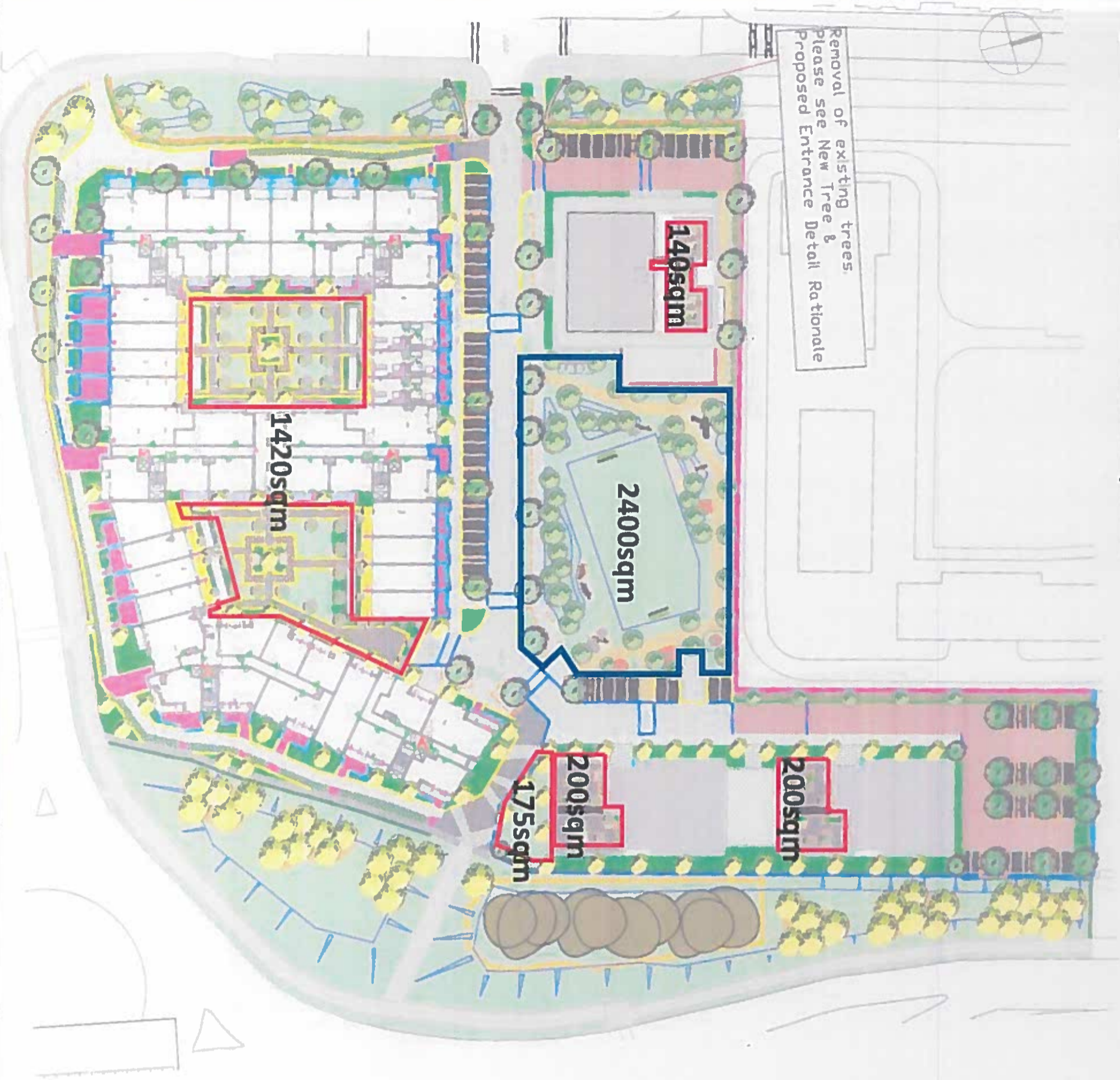
# St. Edmunds

## Landscape Masterplan(Compliance) Proposed



# St. Edmunds

## Open Space & Communal Space



### Public Open Space Breakdown as per Architect\*

### PUBLIC OPEN SPACE

GROSS SITE AREA (including SDCC Lands & OMC lands): 27249sqm - 2.72 ha  
 NET SITE AREA: 20638sqm - 2.06 ha

Public Open Space provided: 2400 sqm (11.6%)

Communal Open Space provided:

- BLOCK 1 1420 sqm
- BLOCK 2 200 sqm
- SHARED BETWEEN BLOCK 1 & 2 175 sqm
- BLOCK 3 200 sqm
- BLOCK 4 140 sqm

- Communal Open Space
- Open Space

The Quality, functionality and usability of the open space has been developed with the end user as the focal point.

It has been developed to provide a wide range of amenity and activity on the main open space.

A large kick about with goal posts on either end is proposed, a number of play items for children aged 2 – 12 years old are also included.

A number of natural play items, rocks and tree trunks have been located along with the slopes and mounds proposed for the open space.



Riddell MacLennan Architects Ltd  
 Landscape Architects and Planners

# St. Edmunds

## Pedestrian Linkage through Development



- External link to development
- Internal green link for development
- Amenity link through open space

# St. Edmunds

## Landscape Masterplan

Path Treatment (or similar approved)

-  Resin Bond path
-  Concrete path
-  Grasscrete – planted with Armeria maritima



Resin Bond Path



Concrete Path to Open Space

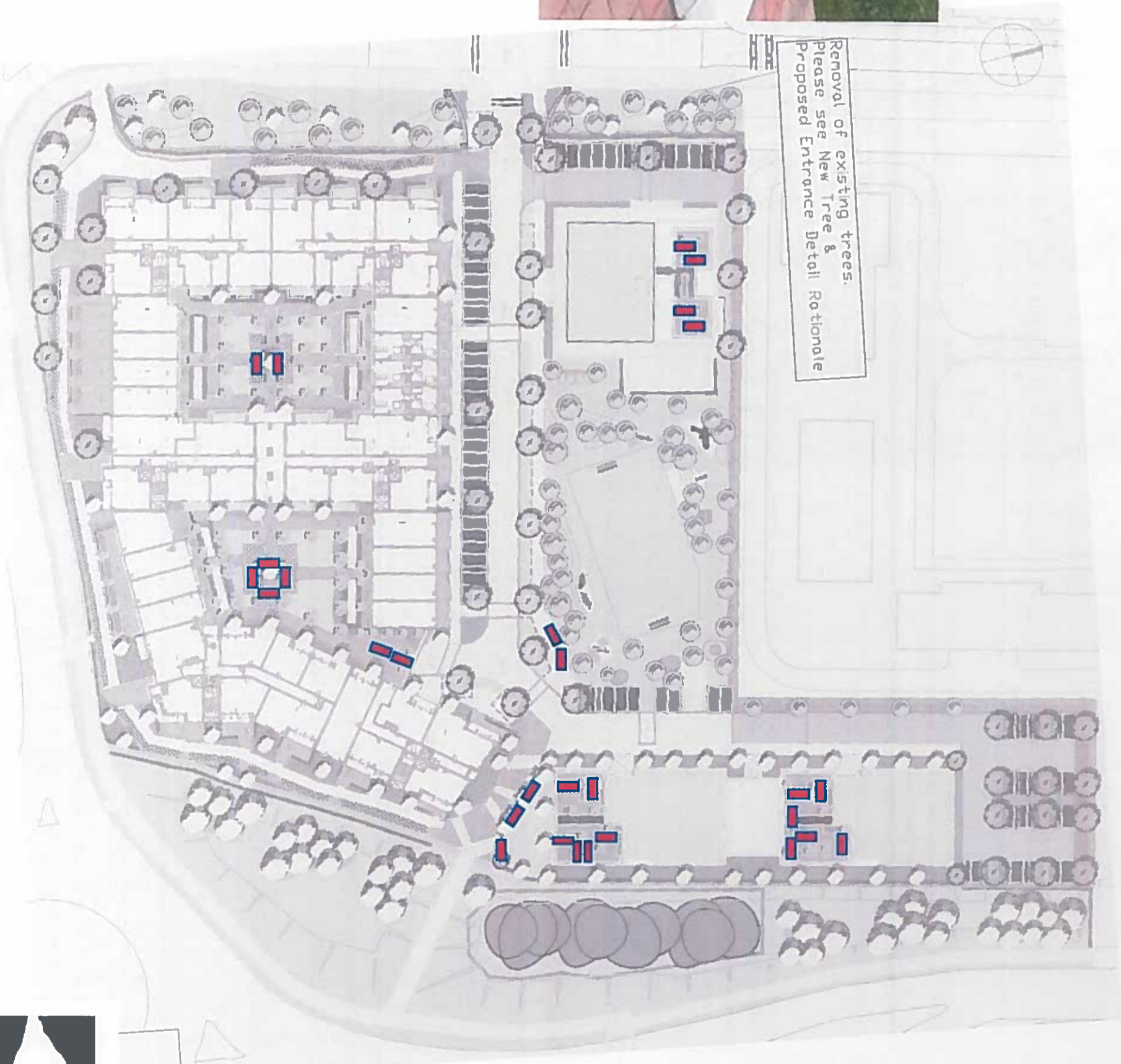
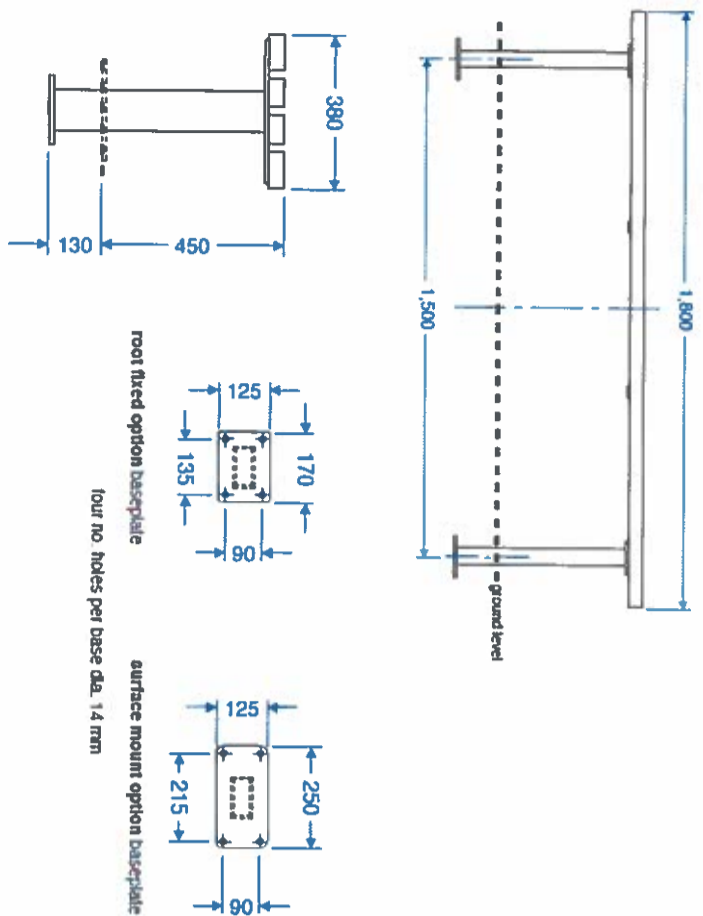


Grasscrete planted with Armeria maritima



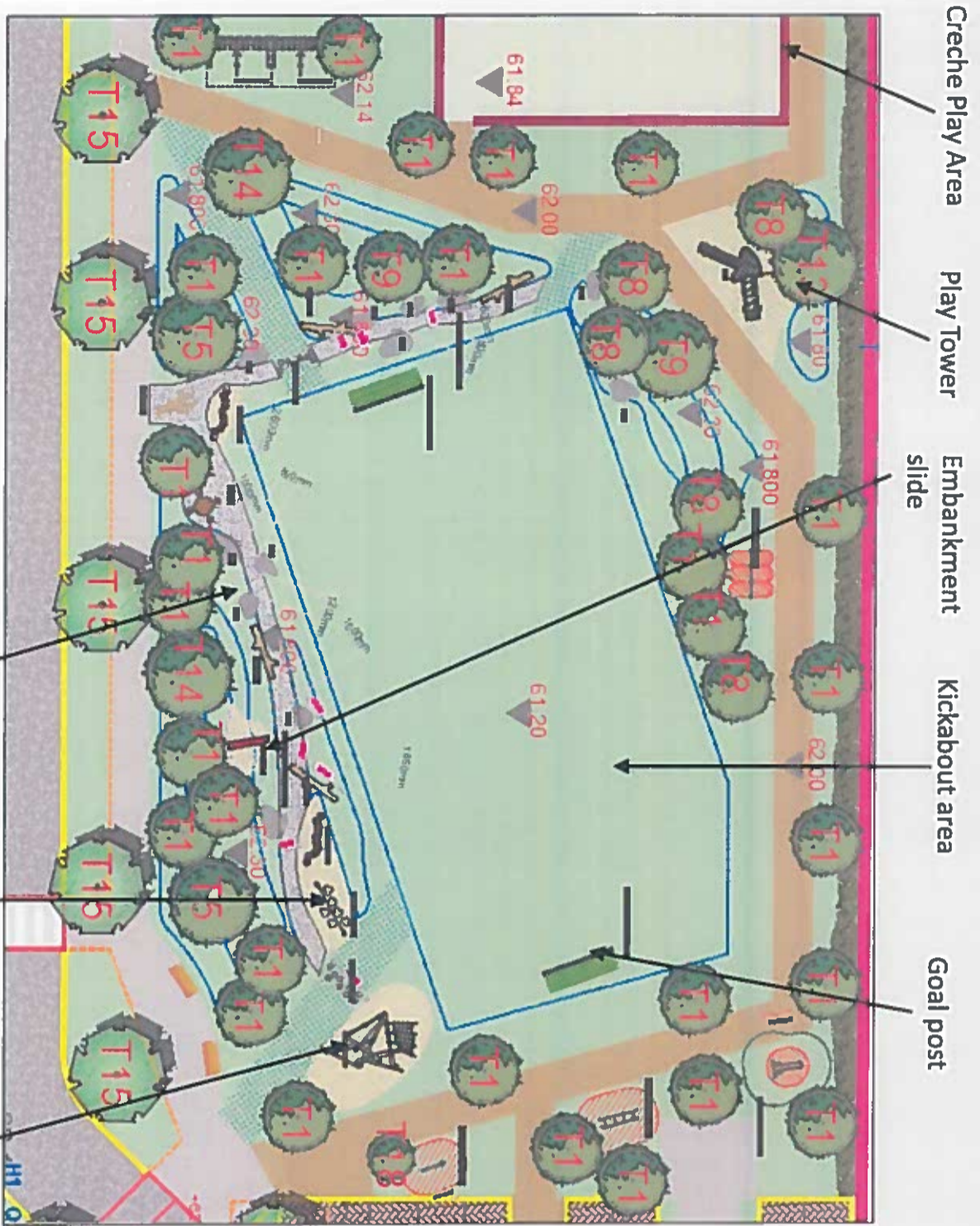
# St. Edmunds Landscape Masterplan Urban Furniture Locations

 Hartecast 2028 Bench or similar approved



# St. Edmunds

## Proposed Design for Public Open space



Creche Play Area

Play Tower

Embankment slide

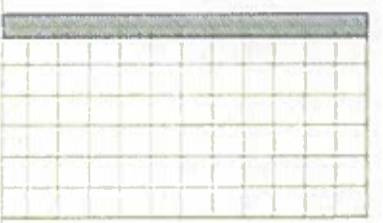
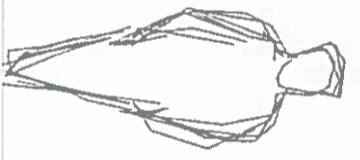
Kickabout area

Goal post

Rocks

Balancing rope and Stepping logs

Pick up sticks



Soccer Goal Posts Spec:  
 Manufactured from wood, metal or approved material.  
 Distance between the posts is 3.54M.  
 Distance from lower edge of the crossbar to the ground is 1.77M.  
 Goalposts & the crossbar must be white & do not exceed 120cmØ.  
 Nets may be Provided.

Goal Post Ireland – supplier





# St. Edmunds

## Children's play items

### Embankment Slide

Age range :3+

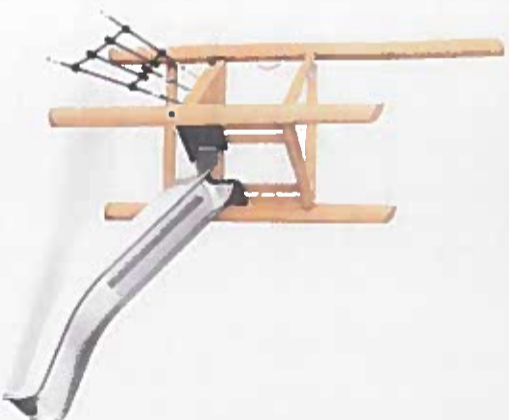


The Central Open Space is the location of both formal and informal play elements. The mounding combined with both tree planting and play items provides a unique source of adventure for the children. There is also a kickabout space for older children to utilise.



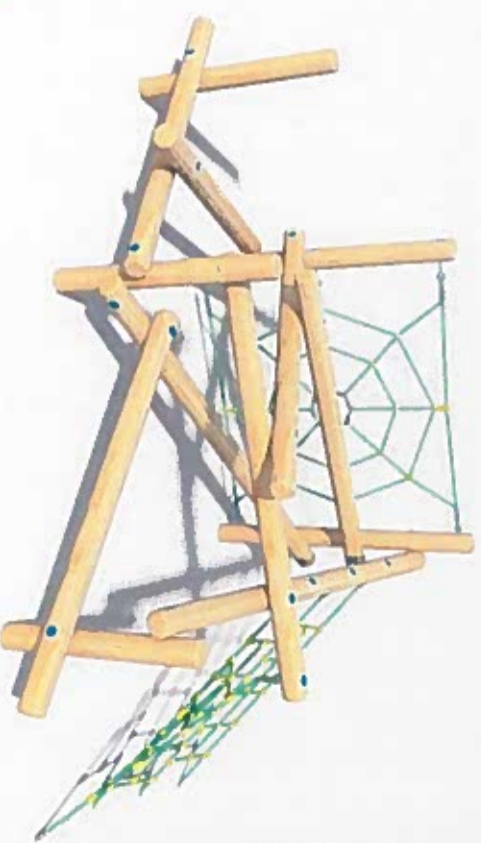
### Play Tower and slide

Age range :3+



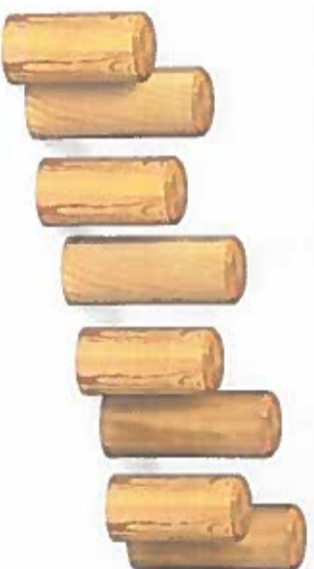
### Pick up sticks

Age range :6+



### Stepping Logs

Age range :3+



### Waterlilies balancing post

Age range :2+



### Play Item Specification

Natural Play items taken from the Kompan, Buglo, Wicksteed Range or similar Approved.

All Products are manufactured from Robinia wood. Robinia is a type of Hardwood Timber with unique properties of strength and durability.

Robinia wood does not rot or give the user splinters and is also vandal resistant.

It is perfect for a natural play scheme.

Each Play Item has a fall zone protected with Safagrass Matting or TigerMulch.

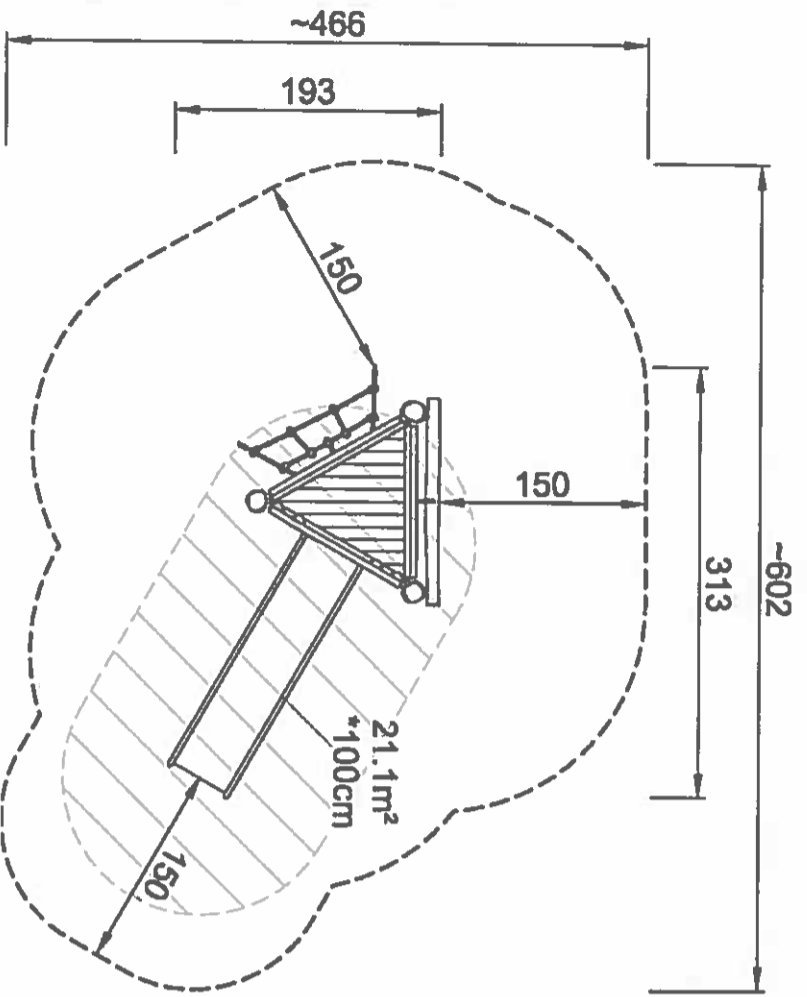
Safagrass is an environmentally friendly, non-slip, impact absorbing safety surface.

Matting products are available in various sizes and critical fall heights (CFH). Matting is secured with Pegs and Ties.

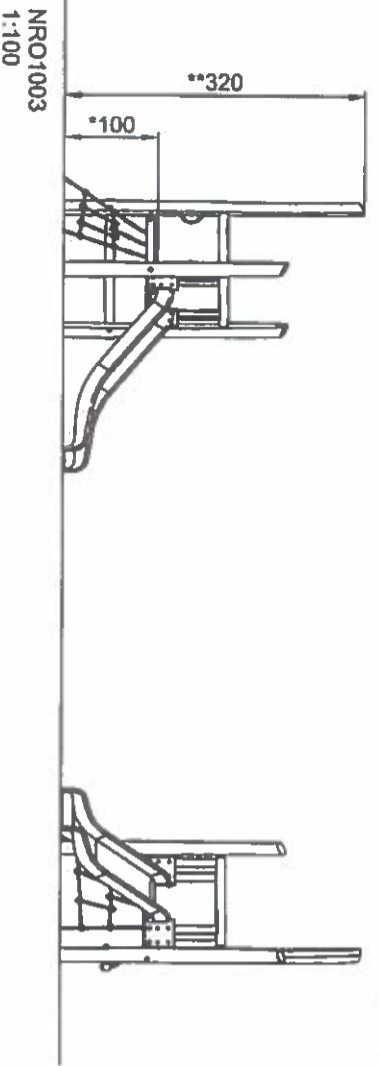
Safagrass Matting must meet with standards EI1177.

# St. Edmunds Children's play items

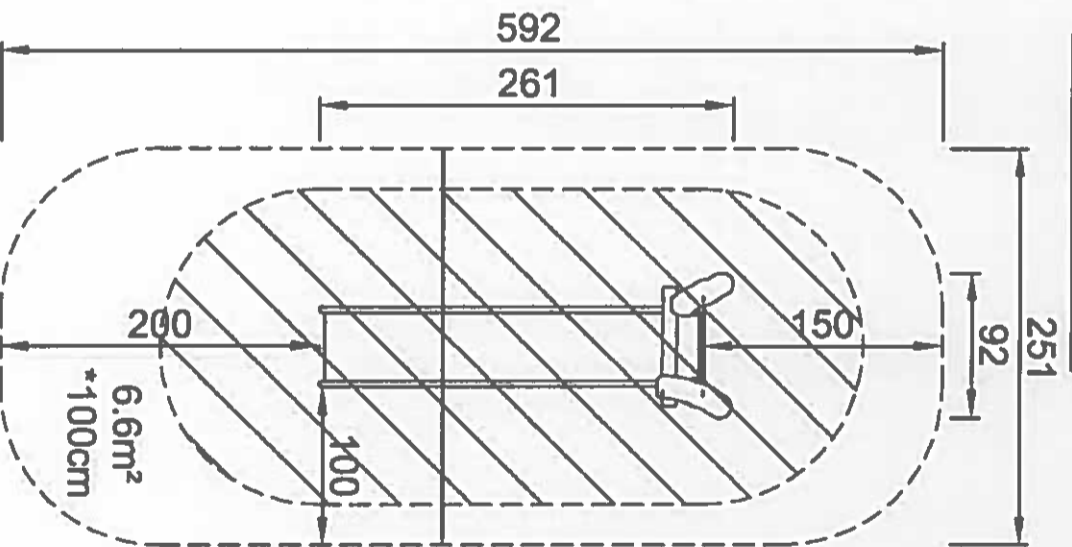
## Play Tower and slide



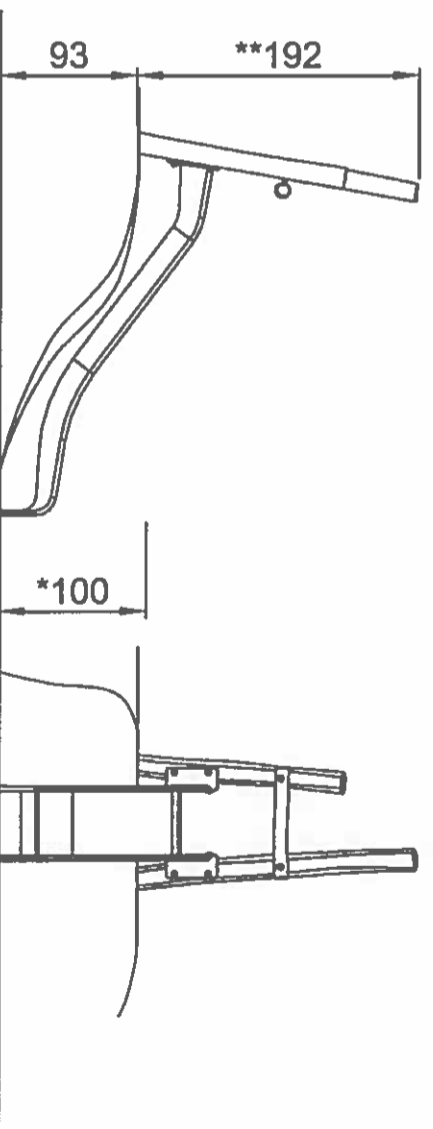
NRO1003-1001  
\*100cm  
\*\*320cm  
\*\*\*21.1m²



## Embankment Slide



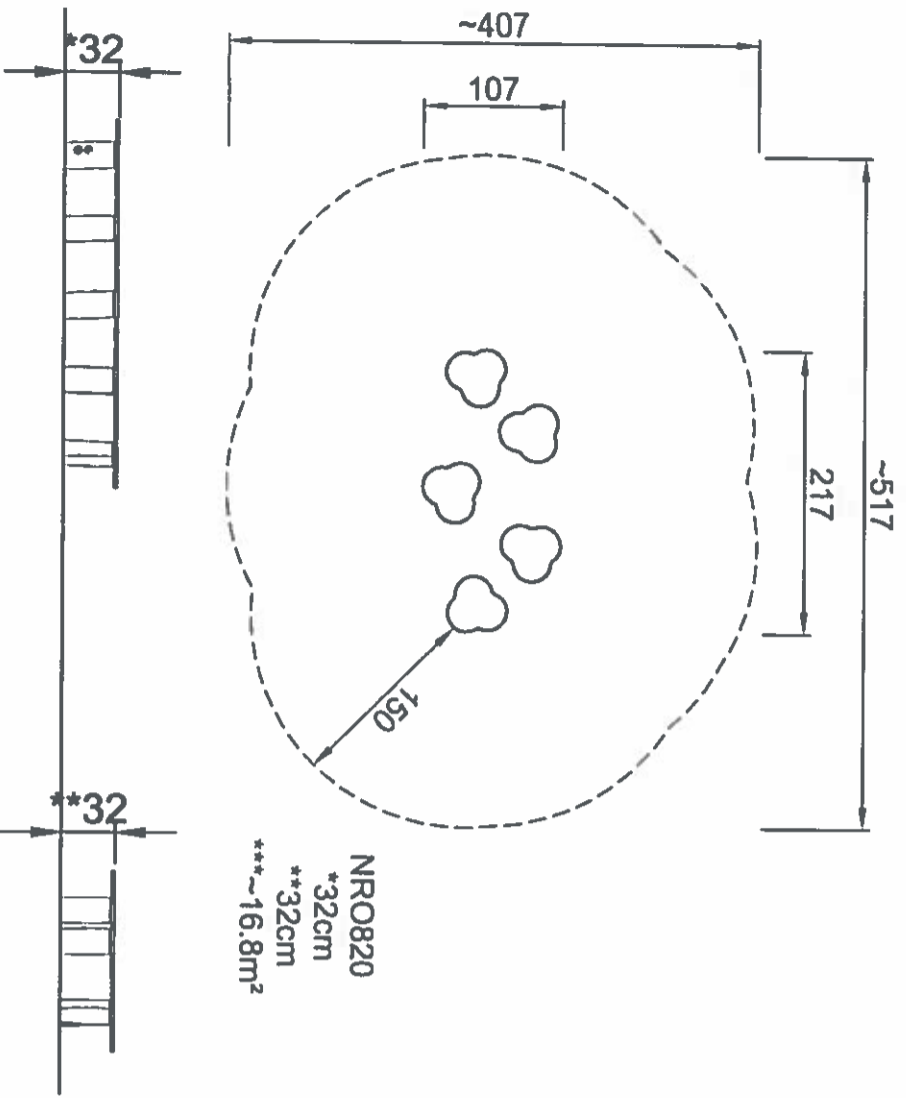
NRO308  
\*100cm  
\*\*192cm  
\*\*\*14.1m²



# St. Edmunds

## Children's play items

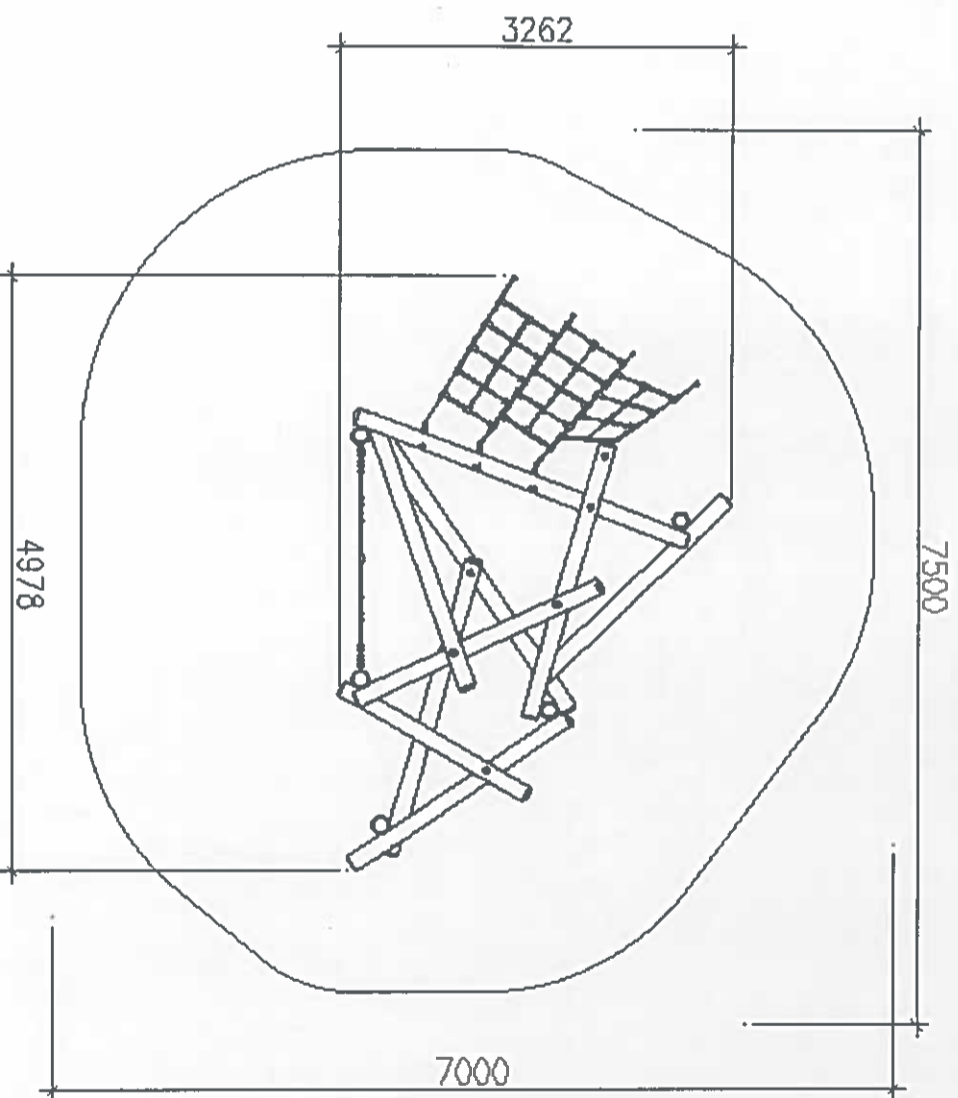
### Waterlilies balancing post



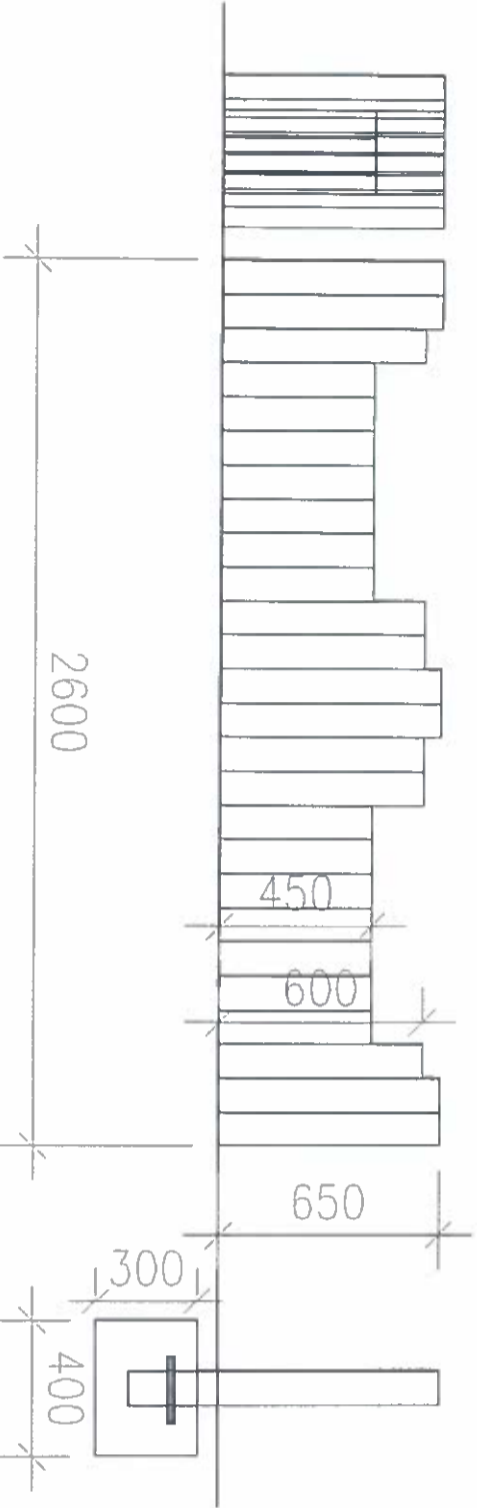
### Pick up sticks

PICK-UP STICKS PICUS4  
 46.5 SQ METRES 70mm WETPOUR  
 22.0 LINEAR METRES WETPOUR EDGING  
 MAX FFH = 1850mm

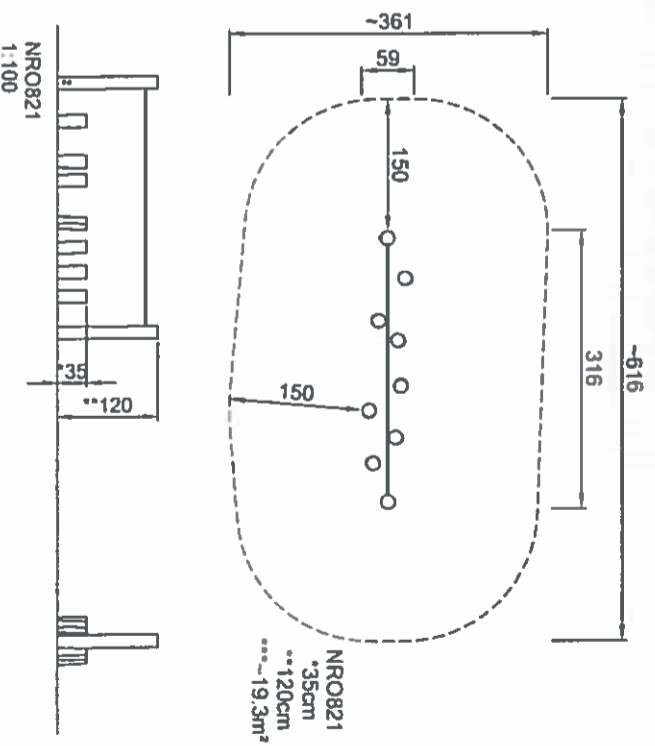
44.5 SQ METRES 55mm TILES  
 25.0 LINEAR METRES TILE EDGING  
 32 GRASS MATS  
 182 MATTA MATS



### Stepping Logs



### Balance post with rope

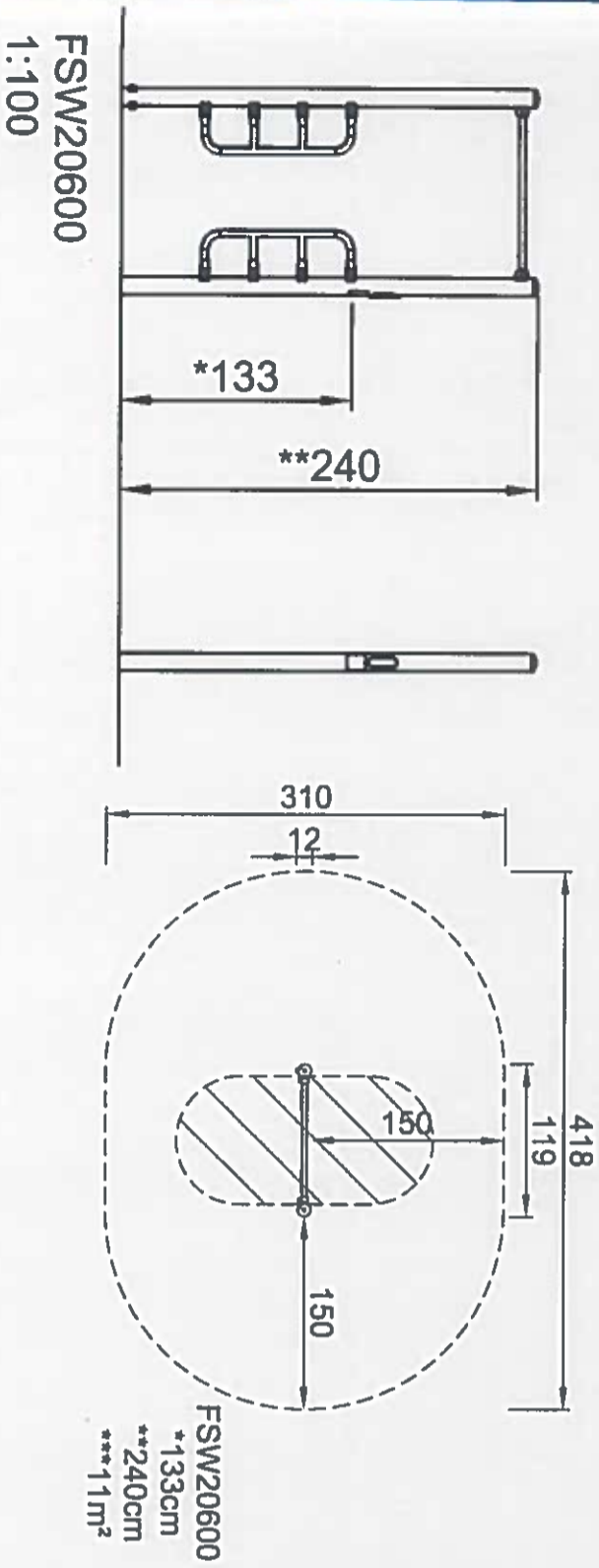


Romyt VeldParks + Activiteiten Ltd  
 Landschap, Activiteiten en Ontwerpen

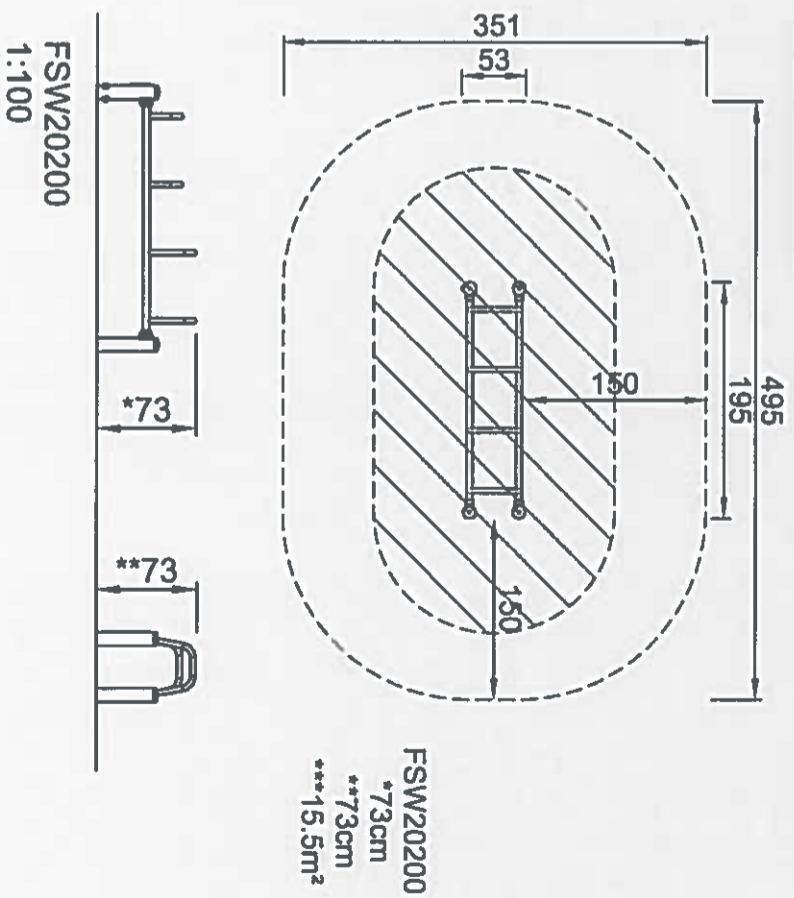
# St. Edmunds

## Calisthenics items

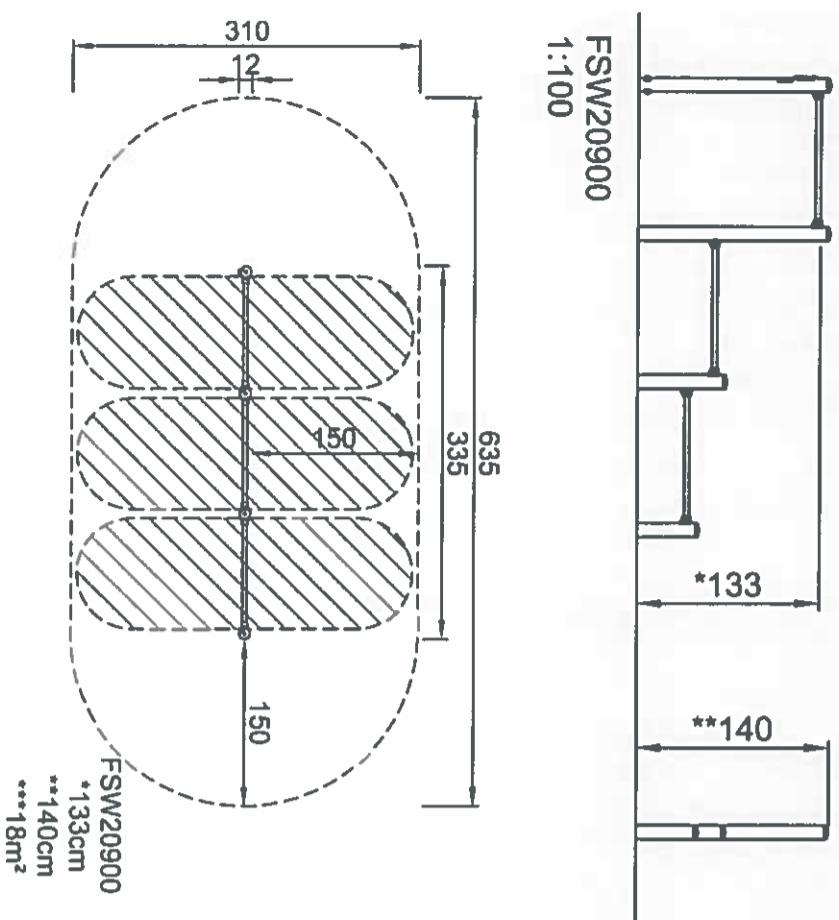
### 1. Incline press



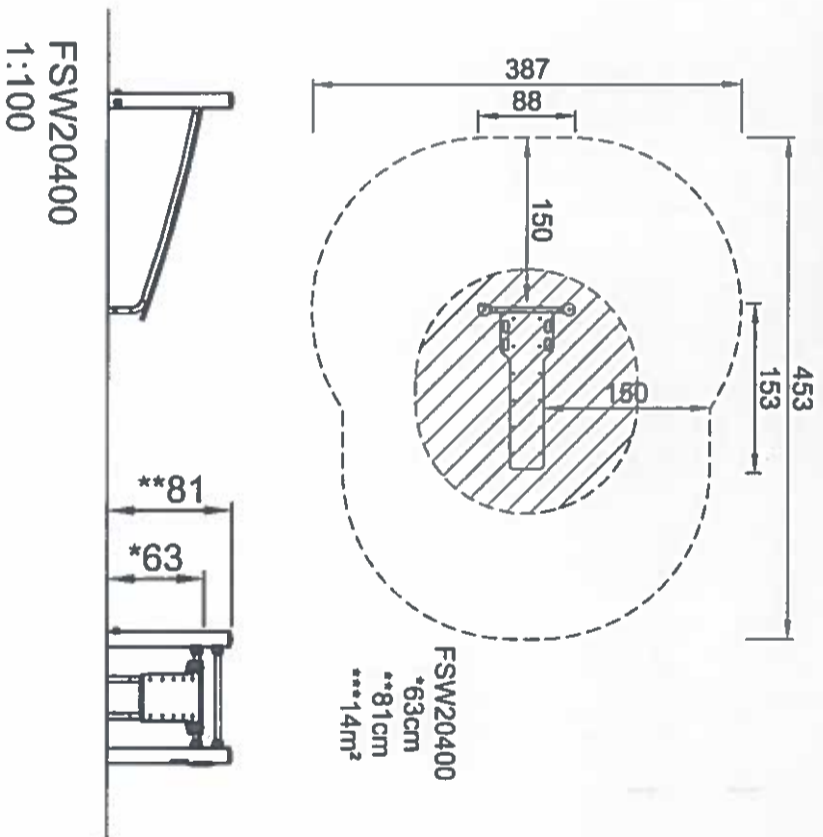
### 2. Dip Bench



### 3. Push up bars



### 4. Decline Bench



# St. Edmunds

## Calisthenics items



**1. Incline press** Age range :13+



**2. Dip Bench** Age range :13+



**3. Push up bars** Age range :13+



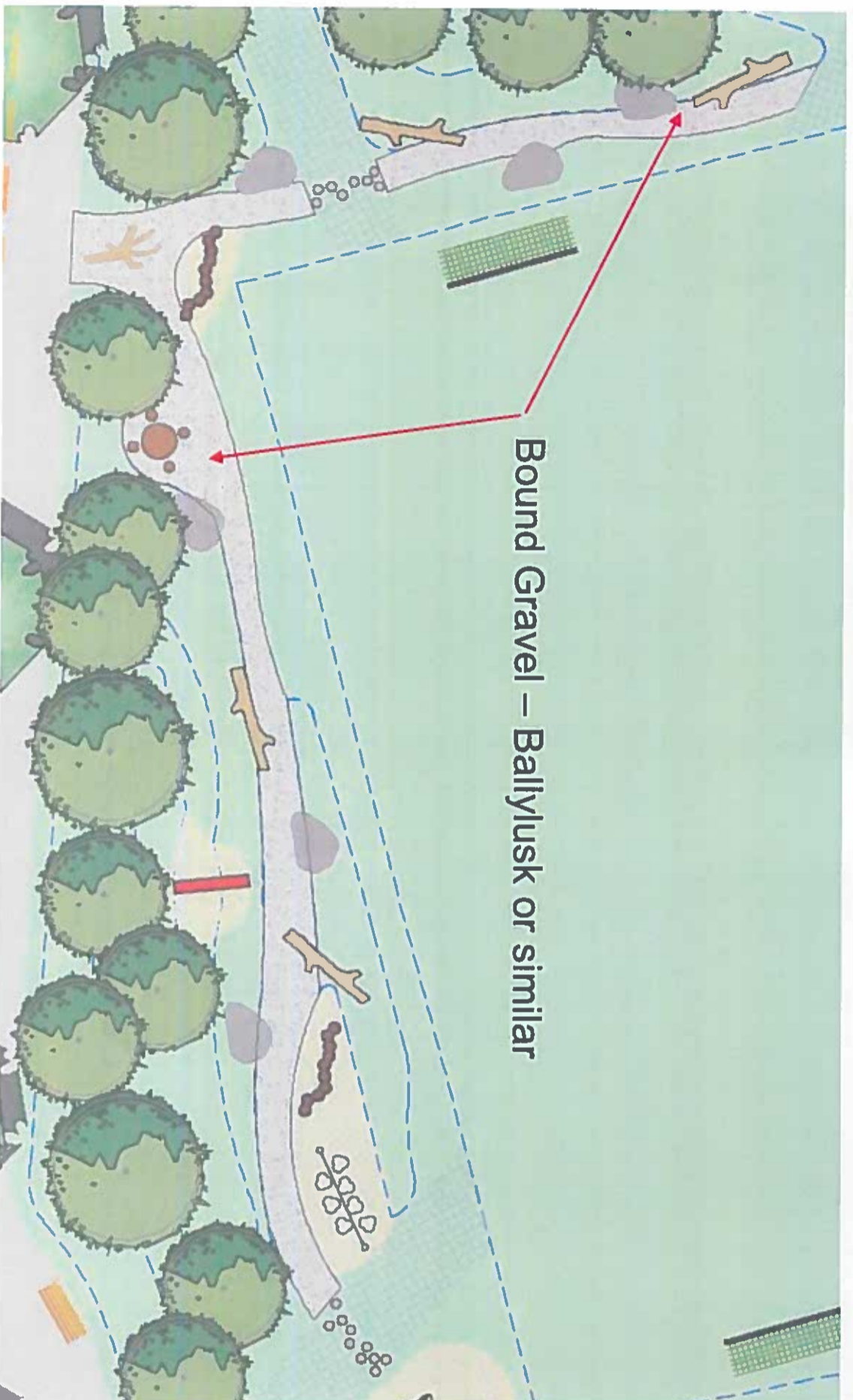
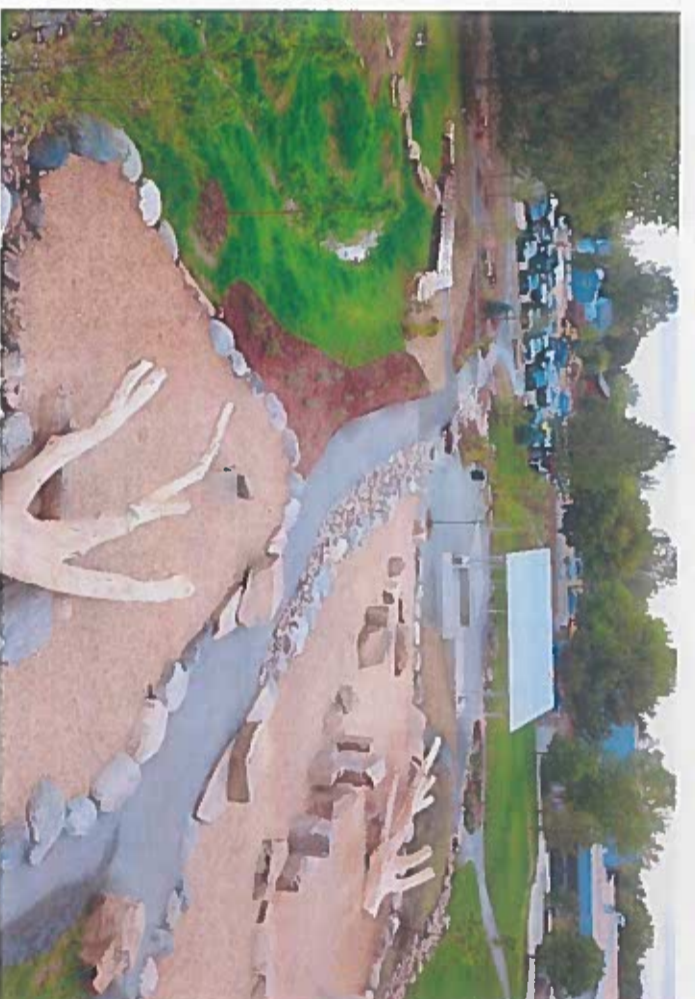
**4. Decline Bench** Age range :13+



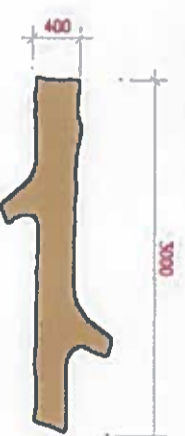
Note: South Dublin County Council Parks Department to be advised of proposed calisthenics elements prior to ordering & to be involved in construction of same.

Kompan Calisthenics equipment is made from steel elements covered with double layer of powder coating. Wet Rubber Pour Surfacing.

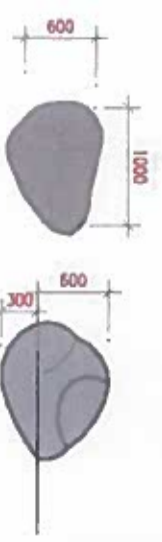
# St. Edmunds Children's Natural Play Items



**Timber logs**

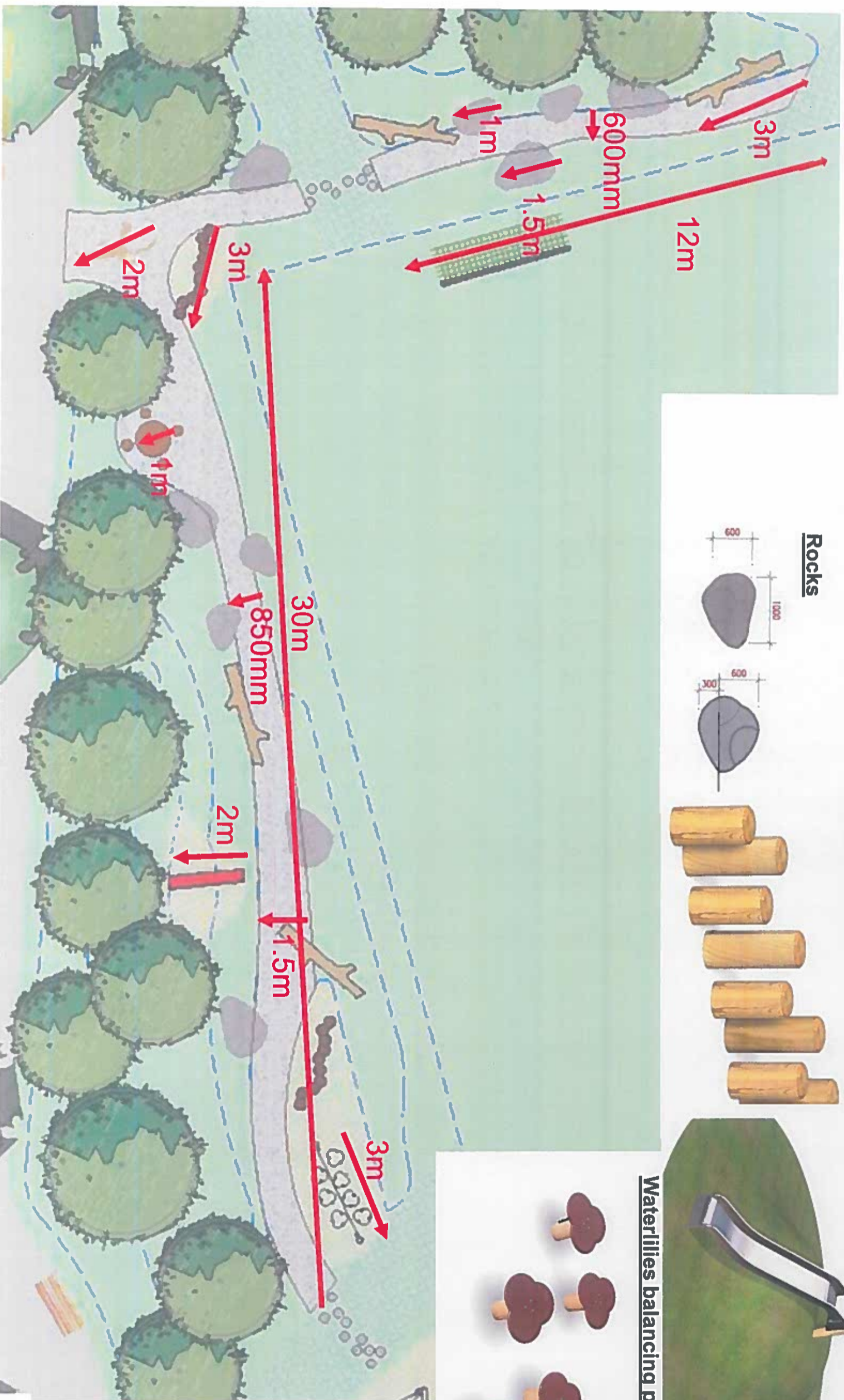


**Rocks**



All dimensions are approximate due to the natural source of materials

# St. Edmunds Children's Natural Play Areas



**Legend**  
Length – Distance