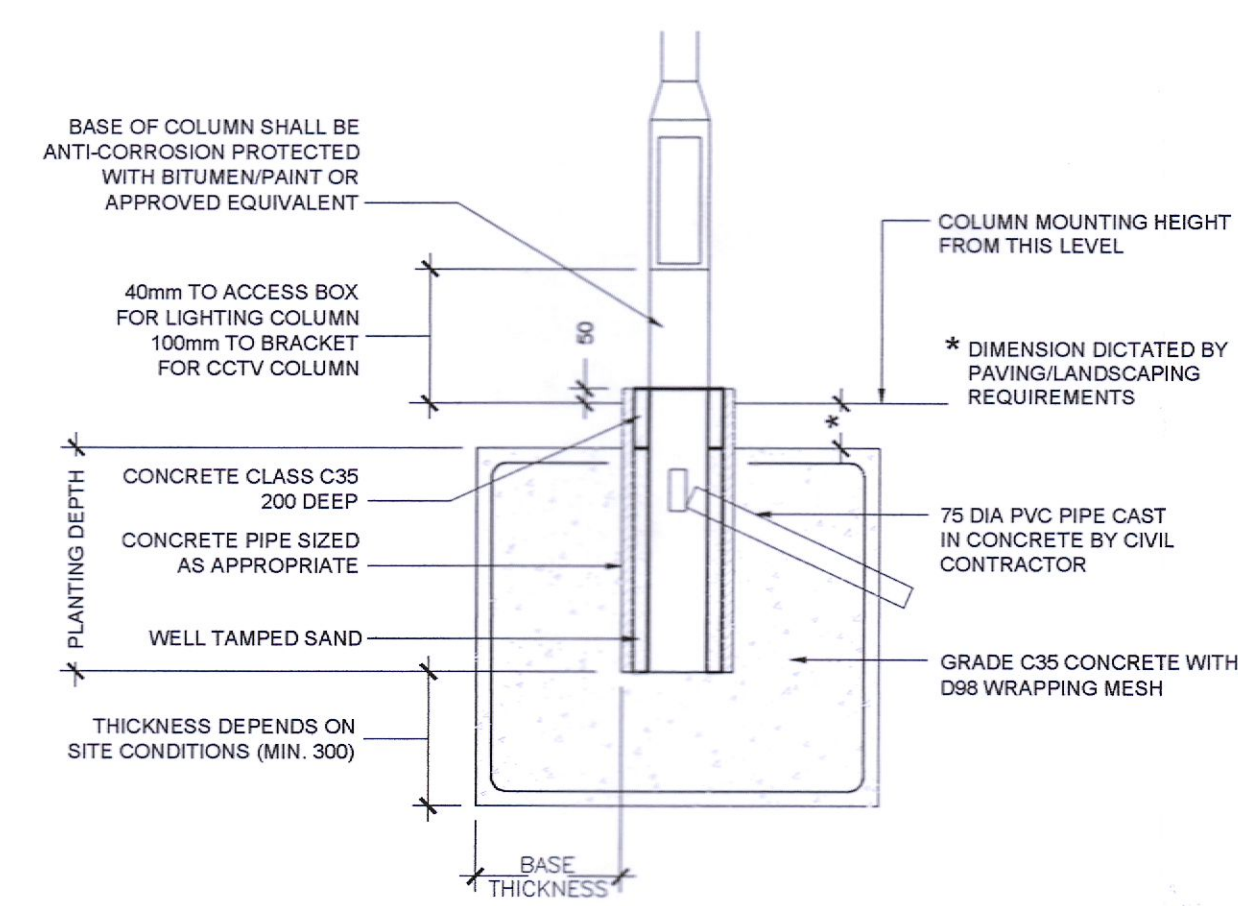
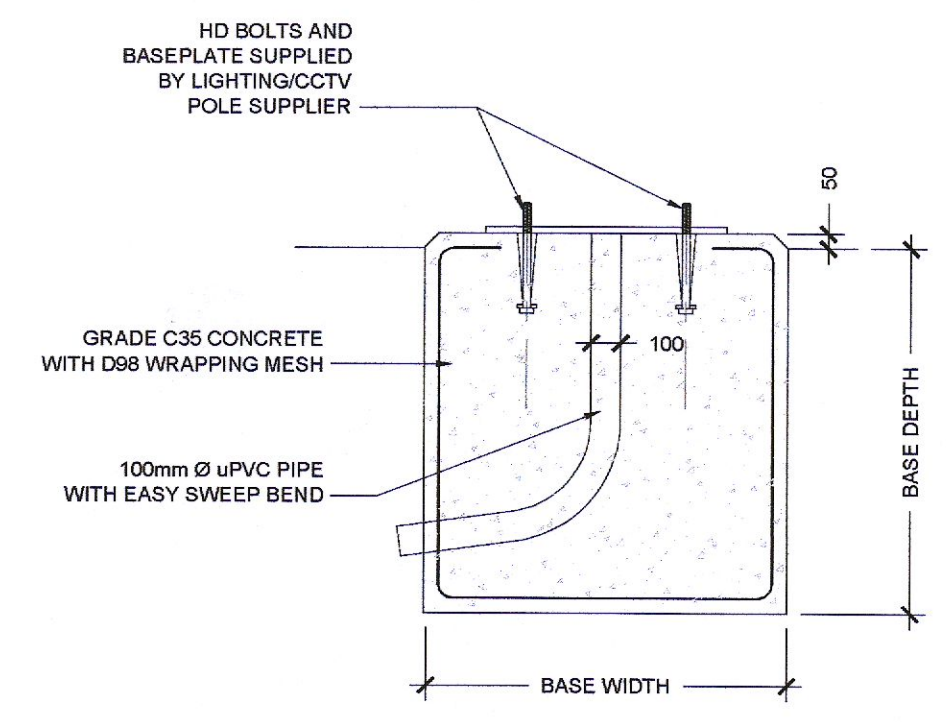


REVISION SCHEDULE				
REV. NO.	REV. DESCRIPTION	REV. DATE	DRAWN	CHECKED
P1	PLANNING ISSUE	19/08/2022	BD	KF



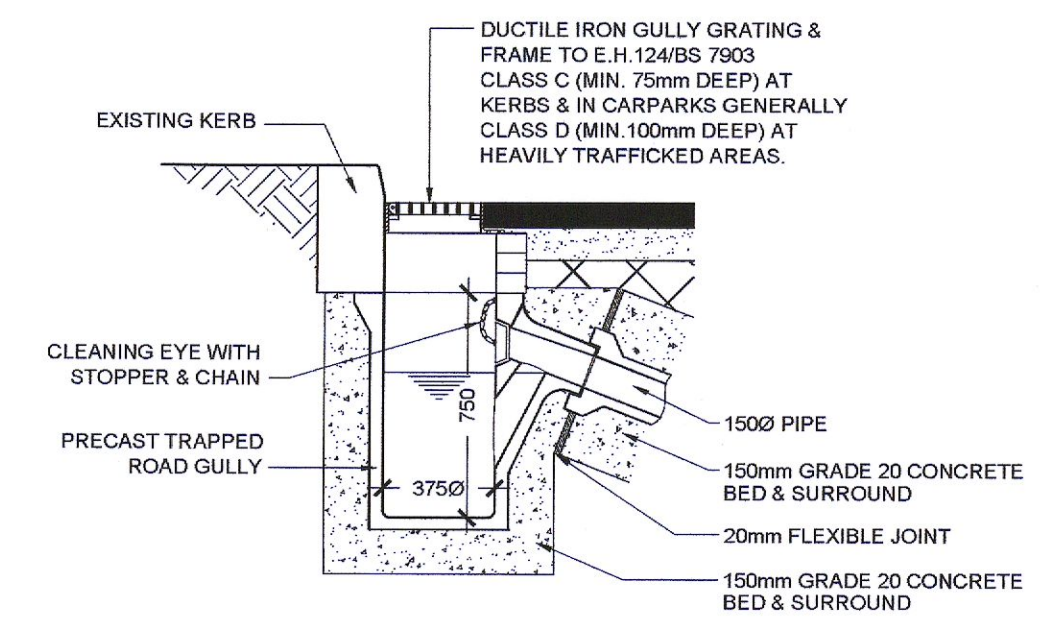
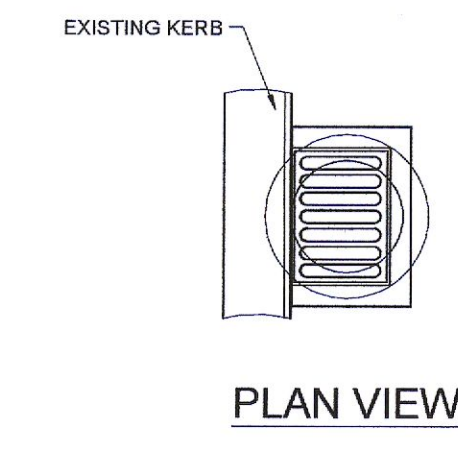
COLUMN MOUNTING HEIGHT (m)	PLANTING DEPTH (mm)	BASE THICKNESS (mm)
9	900	750
7.5	700	500
6	700	400
4.5	700	400
1.5	500	300

PLANTED LIGHTING/CCTV COLUMN BASE DETAIL

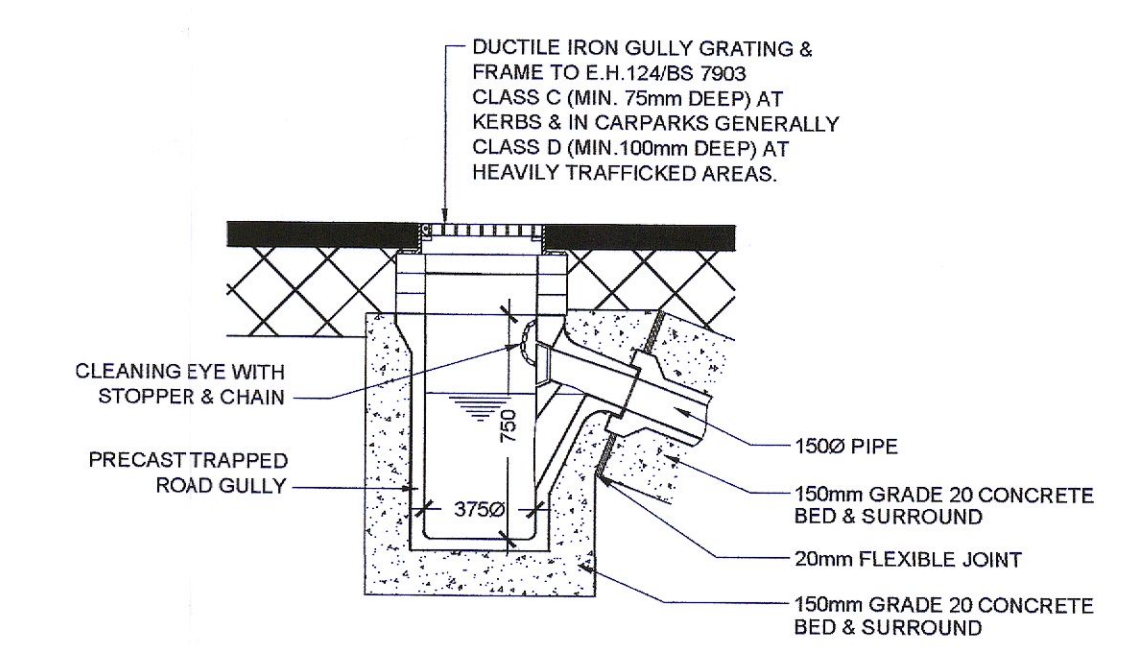
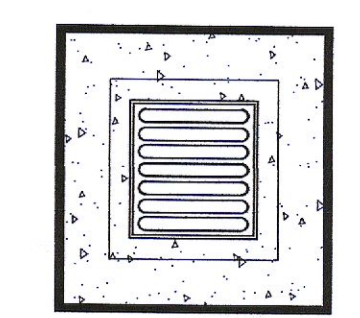


COLUMN MOUNTING HEIGHT (m)	BASE DEPTH (mm)	BASE WIDTH (mm)	MINIMUM HD BOLTS
9	1200	1500	4No. M24
7.5	750	1200	4No. M24
6	750	1000	4No. M20
4.5	750	1000	4No. M20

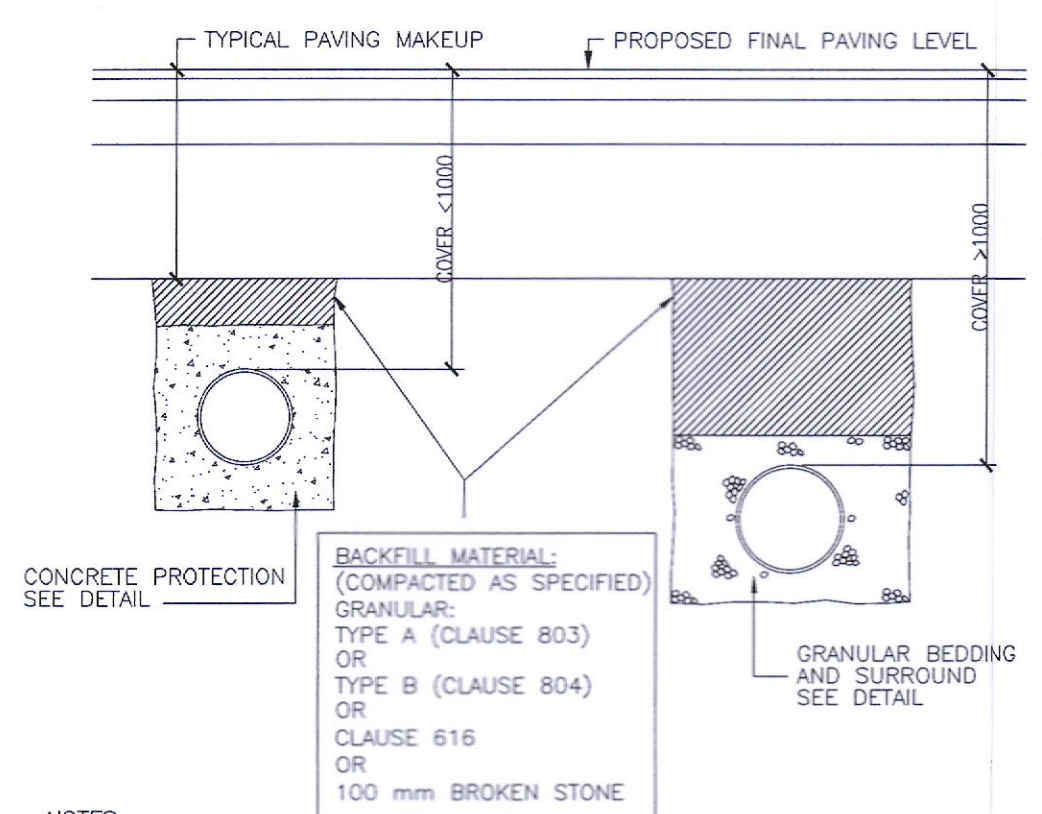
BOLTED LIGHTING/CCTV COLUMN BASE DETAIL



TYPICAL GULLY DETAIL ADJACENT TO KERBS

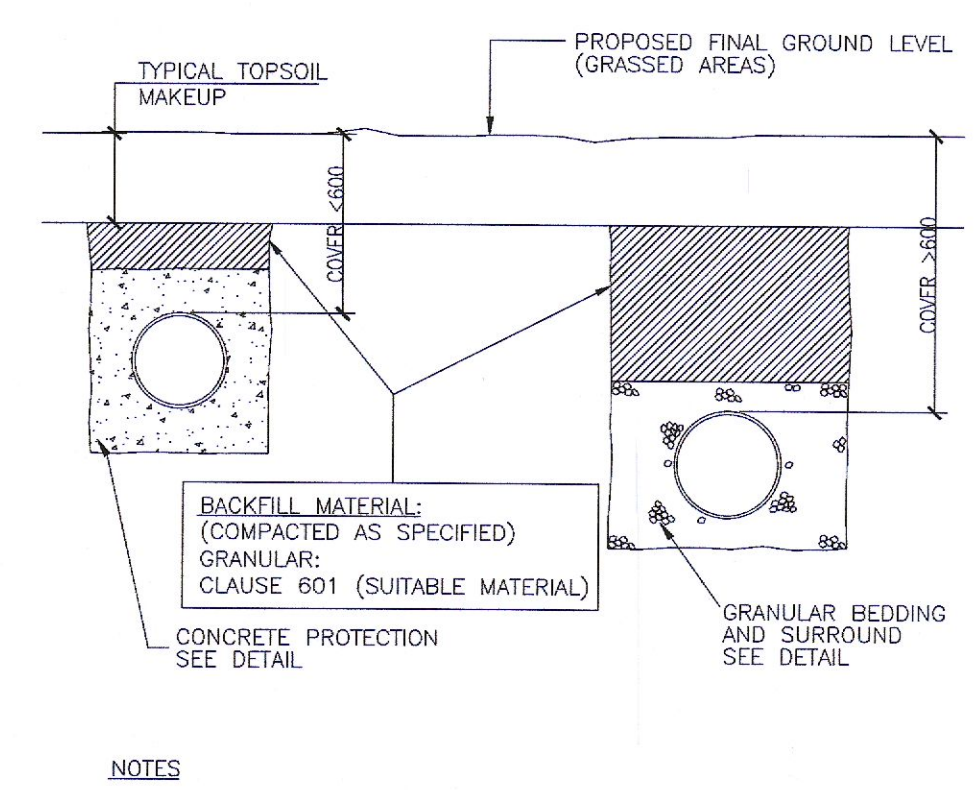


TYPICAL ROAD GULLY DETAIL FOR ROADS



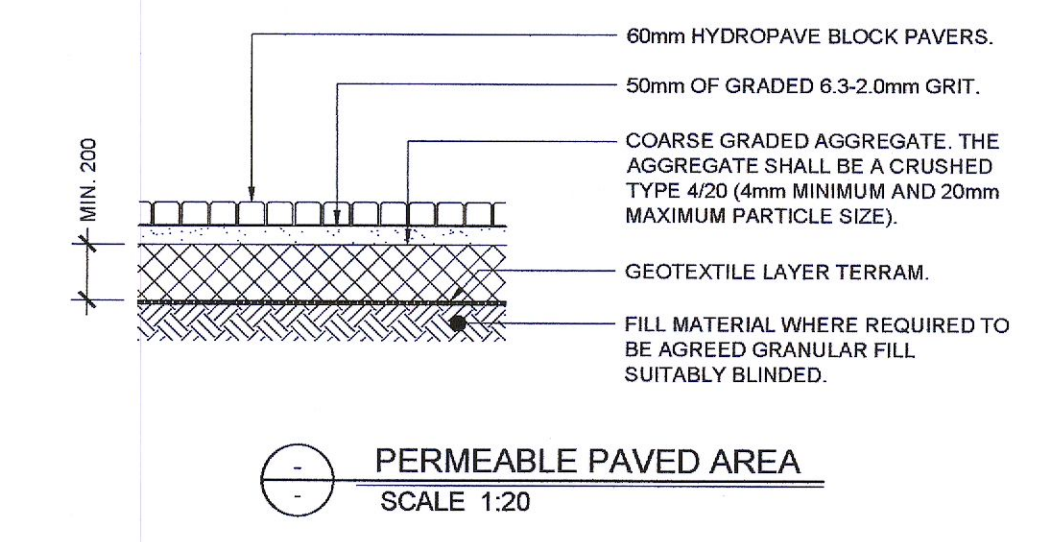
- NOTES
- THIS DETAIL SHOWS CONCRETE PROTECTION REQUIREMENTS BASED ON DEPTH OF COVER.
EXCEPTIONS:
-GASMAINS : 750mm MIN. COVER WITHOUT CONCRETE PROTECTION
-DUCTILE IRON PIPES : 300mm MIN. COVER WITHOUT CONCRETE PROTECTION
 - WHERE DEPTH OF COVER >3000mm, PROVIDE CONCRETE ENCASMENT AS FOR SHALLOW PIPE, UNLESS PIPE OF APPROPRIATE STRENGTH CLASS (OR DUCTILE IRON) HAS BEEN SPECIFIED.
 - SEE ROAD CONSTRUCTION DRAWING FOR DETAILS OF PAVING LAYERS

UNDERGROUND SERVICES (1) IN PAVED AREAS



- NOTES
- THIS DETAIL SHOWS CONCRETE PROTECTION REQUIREMENTS BASED ON DEPTH OF COVER.
EXCEPTIONS:
-GASMAINS : 600mm MIN. COVER WITHOUT CONCRETE PROTECTION
-DUCTILE IRON PIPES : 300mm MIN. COVER WITHOUT CONCRETE PROTECTION
 - WHERE DEPTH OF COVER >3000mm, PROVIDE CONCRETE ENCASMENT AS FOR SHALLOW PIPE, UNLESS PIPE OF APPROPRIATE STRENGTH CLASS HAS BEEN SPECIFIED.
 - THE DETAILS APPROPRIATE TO UNPAVED AREAS SHALL ONLY BE USED WHERE APPROVED BY THE ENGINEER.

UNDERGROUND SERVICES (3) IN UNPAVED AREAS



PERMEABLE PAVED AREA SCALE 1:20

Drawing Stage: PLANNING	Project Details:	Notes	Drawn by:	Checked by:	Approved by:	Date:		Behan House, 10 Lower Mount Street, Dublin 2. D02 HT71 Tel: +353 1 661 1100 e-mail: info@cora.ie Web: www.cora.ie			
	Site Address:		St. BRIDGETS TAYLANE, RATHCOOLE, Co. DUBLIN	BD	KF	JP			10/08/2022		
	Client:		RIVERSIDE PROJECTS Ltd.	Project Name:	St. BRIDGETS TAYLANE				Scale:	1:20 @ A1	
	Architect:		PAC STUDIO	Drawing Title:	DRAINAGE DETAILS SHEET 3				Project:	CORA	
	M&E Designer:		-	Originator:	CORA	Zone:			-	Level:	-
Contractor:	-	Type:	DR	Discipline:	C	Drawing No:	022	Stage:	P	Revision:	01