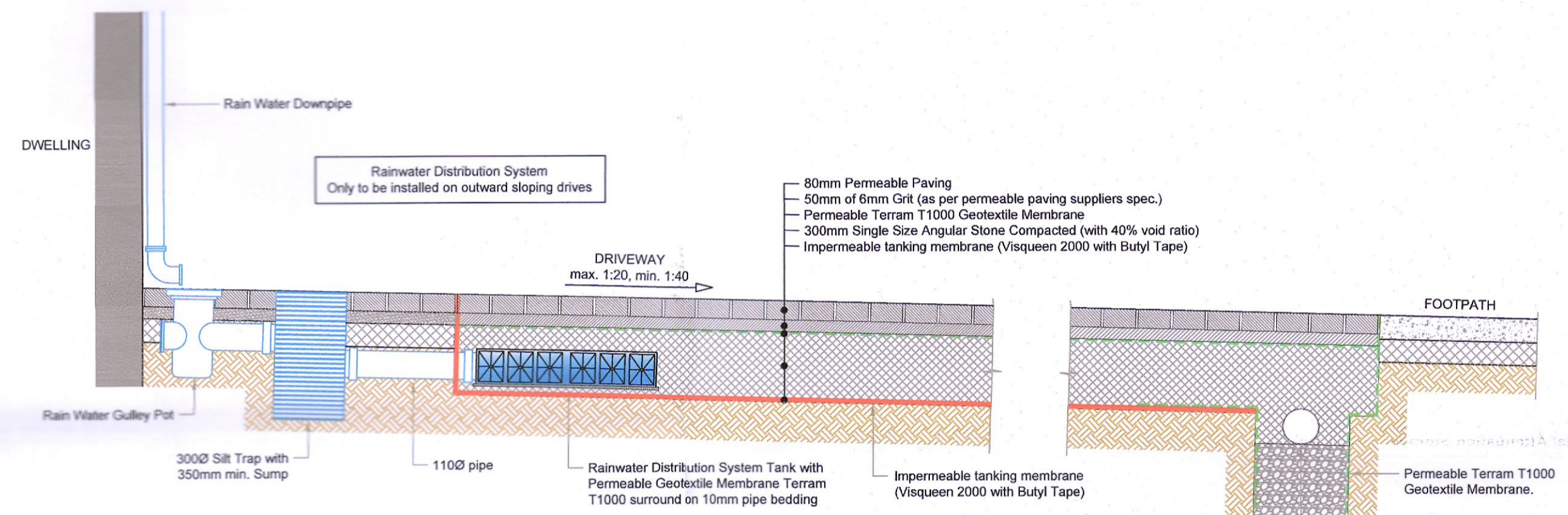
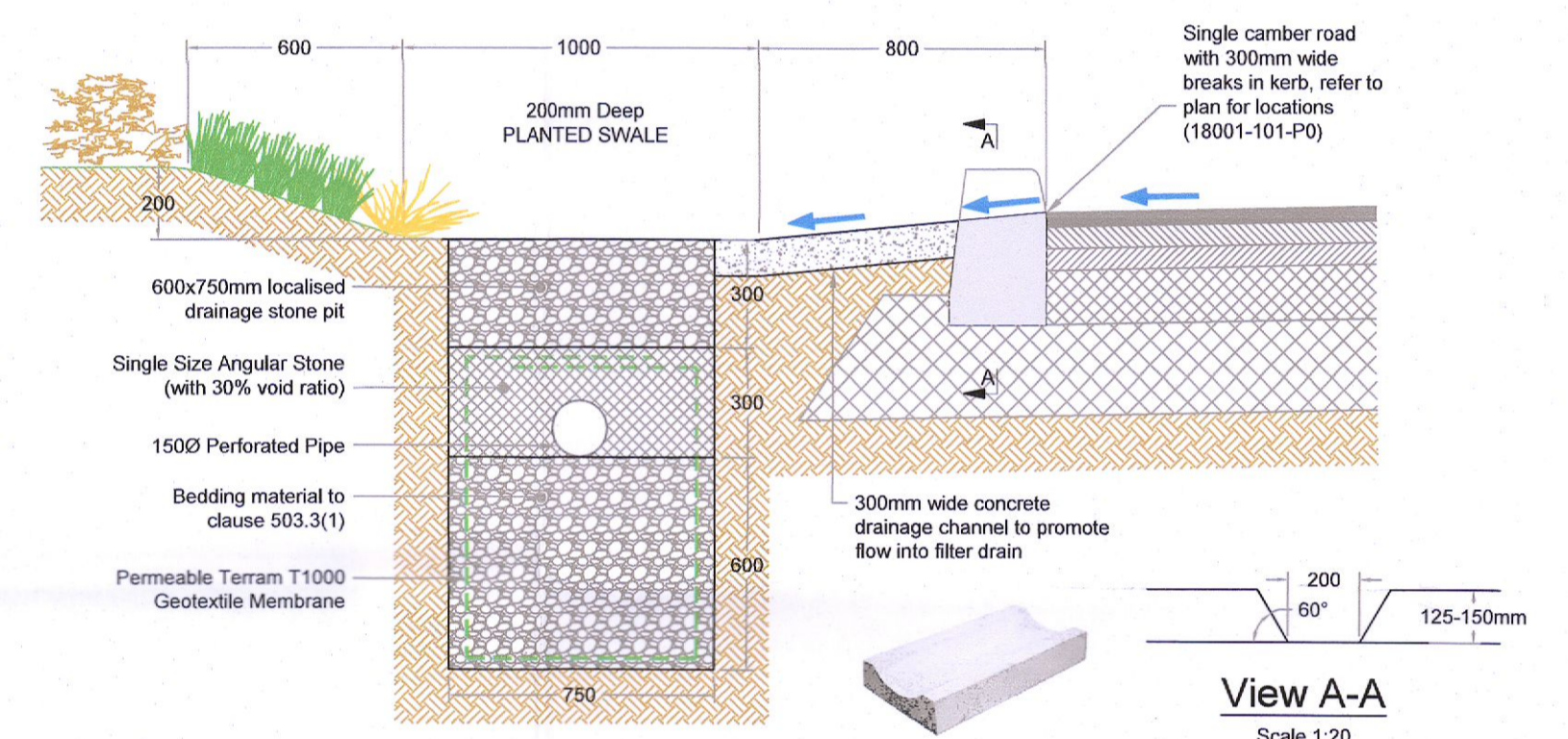


Section through Attenuation Tank & Detention Basin
Scale 1:50

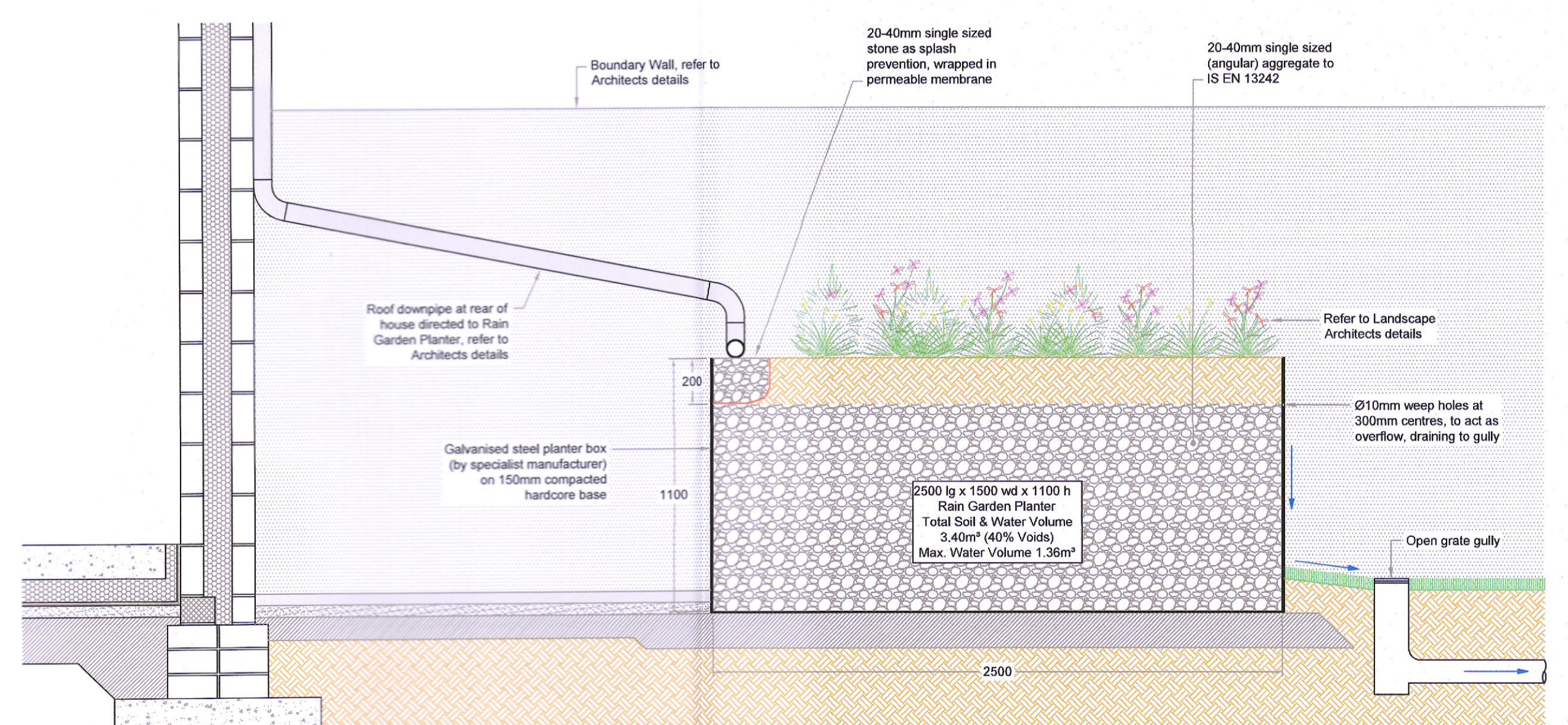


Section at Permeable Paved Driveway with Rainwater Distribution System
Scale 1:20

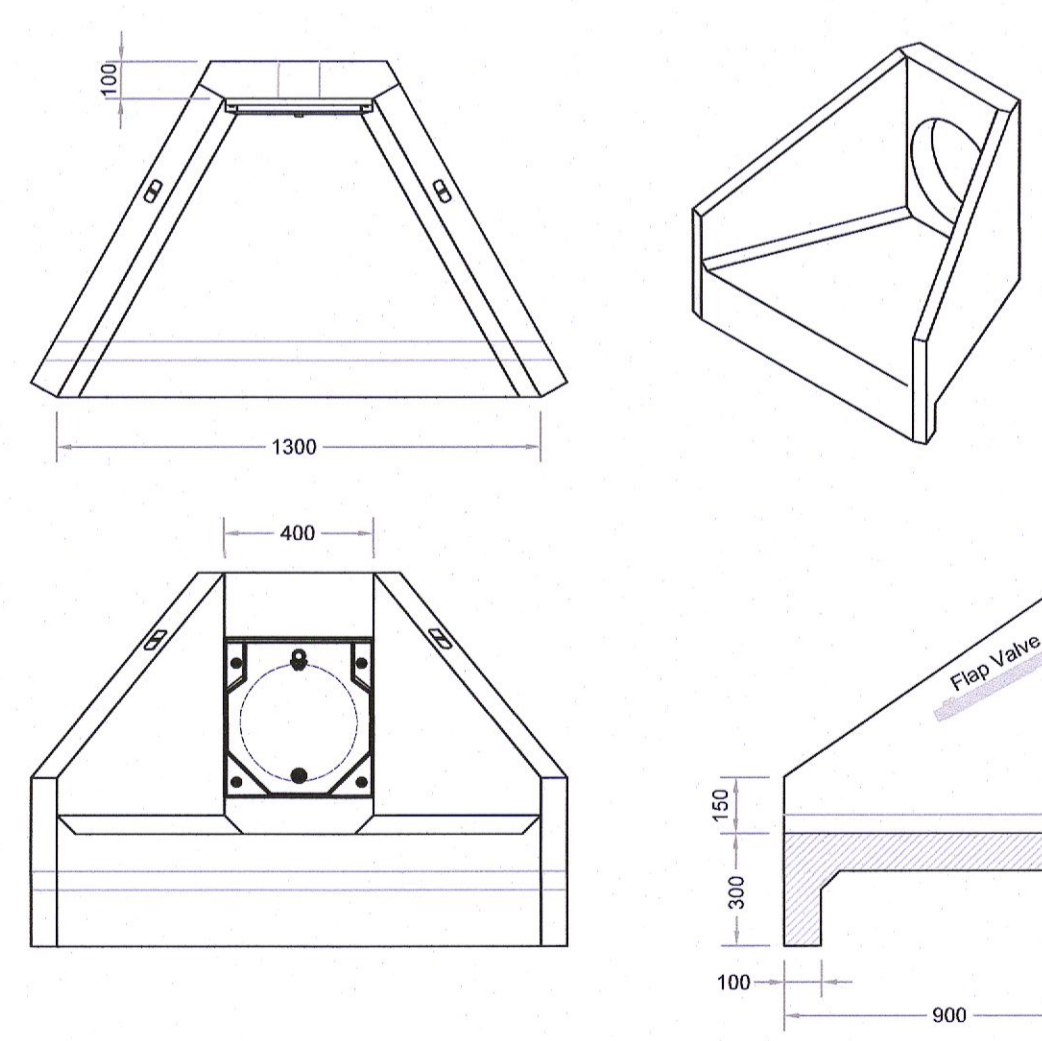
SuDS Storage Provision	
Permeable Paving	76m³
Swales	12.4m³
Infiltration Trench	16.7m³
Rain Garden Planters	30m³
Underground Storage	55m³
Detention Basin	24m³
Total Attenuation Storage	214.1m³



Drainage Swale Detail at Broken Kerb Inlet
Scale 1:20

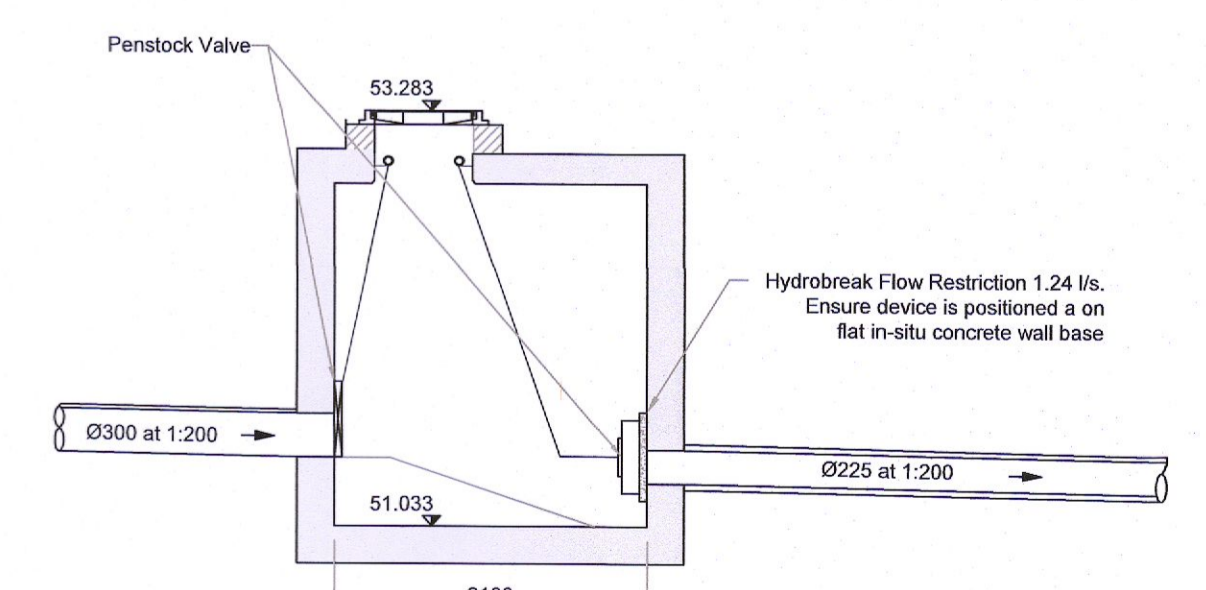


Section - Rain Garden Planter
Scale 1:20



Typical Precast Concrete Outfall at Existing Stream
Scale 1:20

- OPENING IN BACKPENDING IN BACK ALL CAST TO SUIT OUTSIDE DIAMETER OF THE PIPEWORK
- INVERT LEVEL OF PIPE CAN BE SET TO YOUR SPECIFICATION
- H3C SUITABLE FOR PIPEWORK UP TO 300MM ID TWIN WALL OR CLAY /225MM ID CONCRETE
- UNITS SHOULD BE BEDDED ON MINIMUM 100MM OF SEMI-DRY CONCRETE
- SIT THE HEADWALL LEVEL OR WITH A SLIGHT FALL 1:50 FROM PIPE TO SPILL MOUTH.
- MATERIAL REINFORCED CONCRETE
- WEIGHT APPROXIMATELY 540KG



Hydrobreak Manhole
Scale 1:50

Rev.	Date	Description	By
P2	22.08.2022	"FURTHER INFORMATION" SUBMISSION	CB
P1	29/04/2022	RAIN GARDEN PLANTER INCLUDED	NMO

Project Title
**WHITECHURCH ROAD
RATHFARNHAM**

Architect
BBA ARCHITECTS

Date	By	Checked	Scale @ A1
FEB 2022	AL	PM	AS SHOWN

Drawing Title
SUDS DETAILS & DRAINAGE DETAILS

Drawing Status
PLANNING

Job No.	Drawing No.	Issue
21029	105	P2

POGA
CONSULTING ENGINEERS
STRUCTURAL • CIVIL

Unit C2, Nutgrove Office Park
Rathfarnham
Dublin 14
D14 CR20
Tel +353 (0)1 205 1101
www.poga.ie