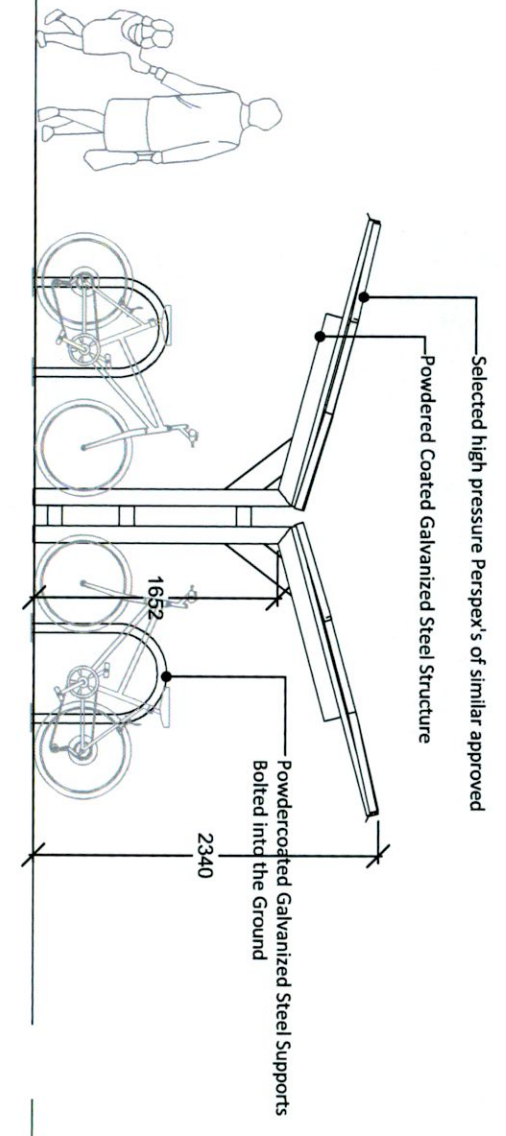
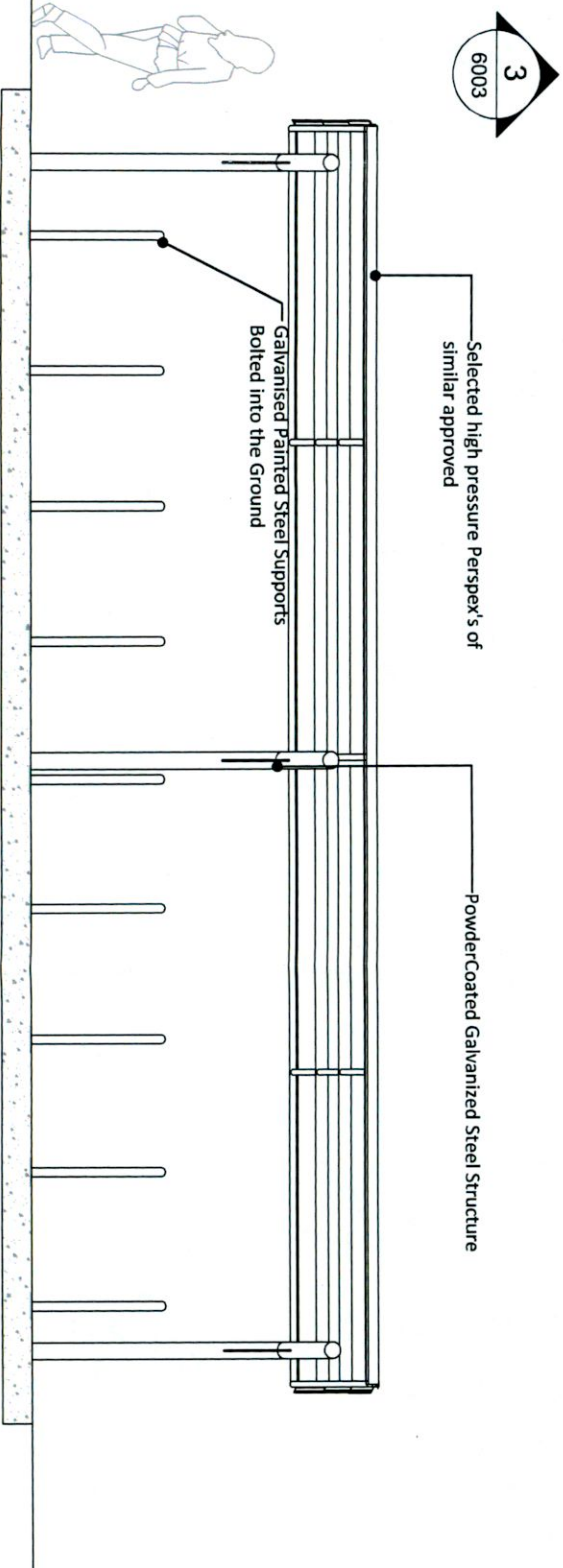


01 PROPOSED PLAN
6003 1:50 @ A3



02 PROPOSED END ELEVATION
6003 1:50 @ A3



03 PROPOSED SIDE ELEVATION
6003 1:50 @ A3

PLANNING PERMISSION APPLICATION

DO NOT SCALE FROM THIS DRAWING
Copyright of documents and drawings reserved for AFEC Engineering Ltd and its users. All other documents and drawings are the property of AFEC Engineering Ltd. No part of this document may be reproduced without the prior written permission of AFEC Engineering Ltd.

NOTES

REV	DATE	DESCRIPTION	MO BY	DL CHKD	CK BY
R01	25.07.2022	ISSUED FOR PLANNING			

AFEC INTERNATIONAL
INTERNATIONAL

CLIENT: Department of Education
DRAWING TITLE: Bicycle Shelter
SCHOOL: Site @ Kishoge
DRAWING NUMBER: SDF-AFEC-00-DR-A-6003

AFEC 208 NO. 22005
SCALE (AS SHOWN): 1:50
STATUS: S04
REVISION: P01