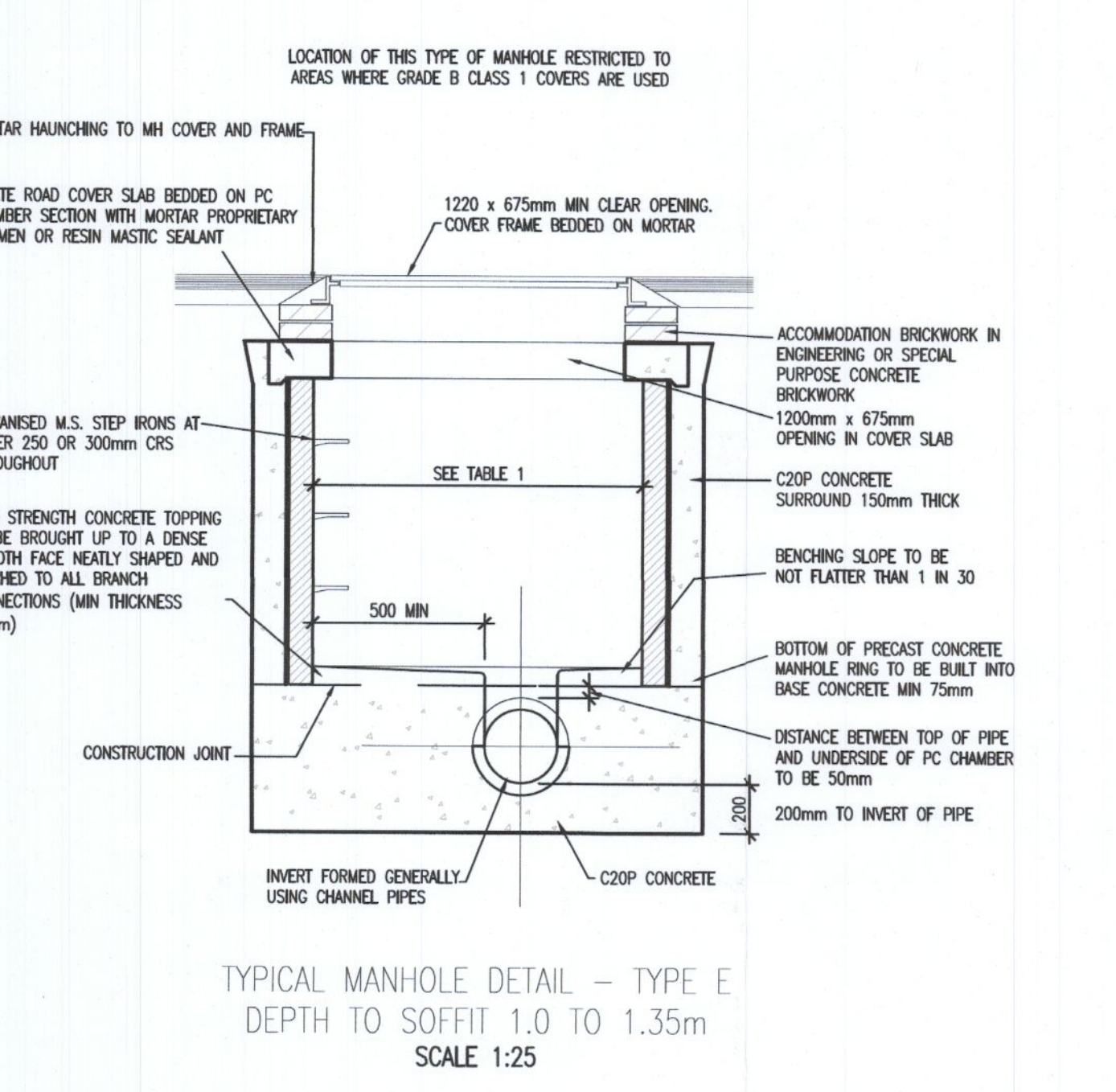
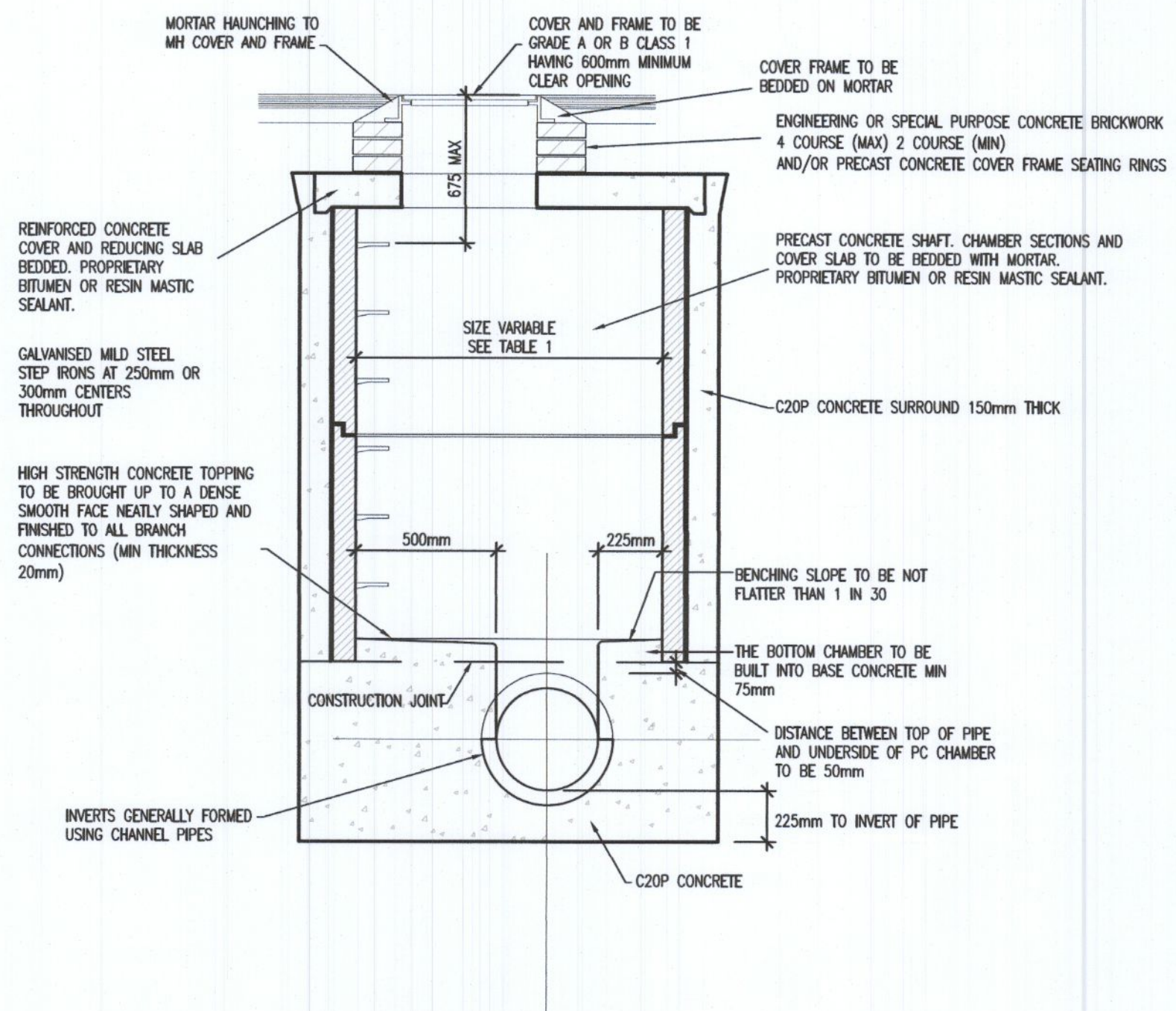
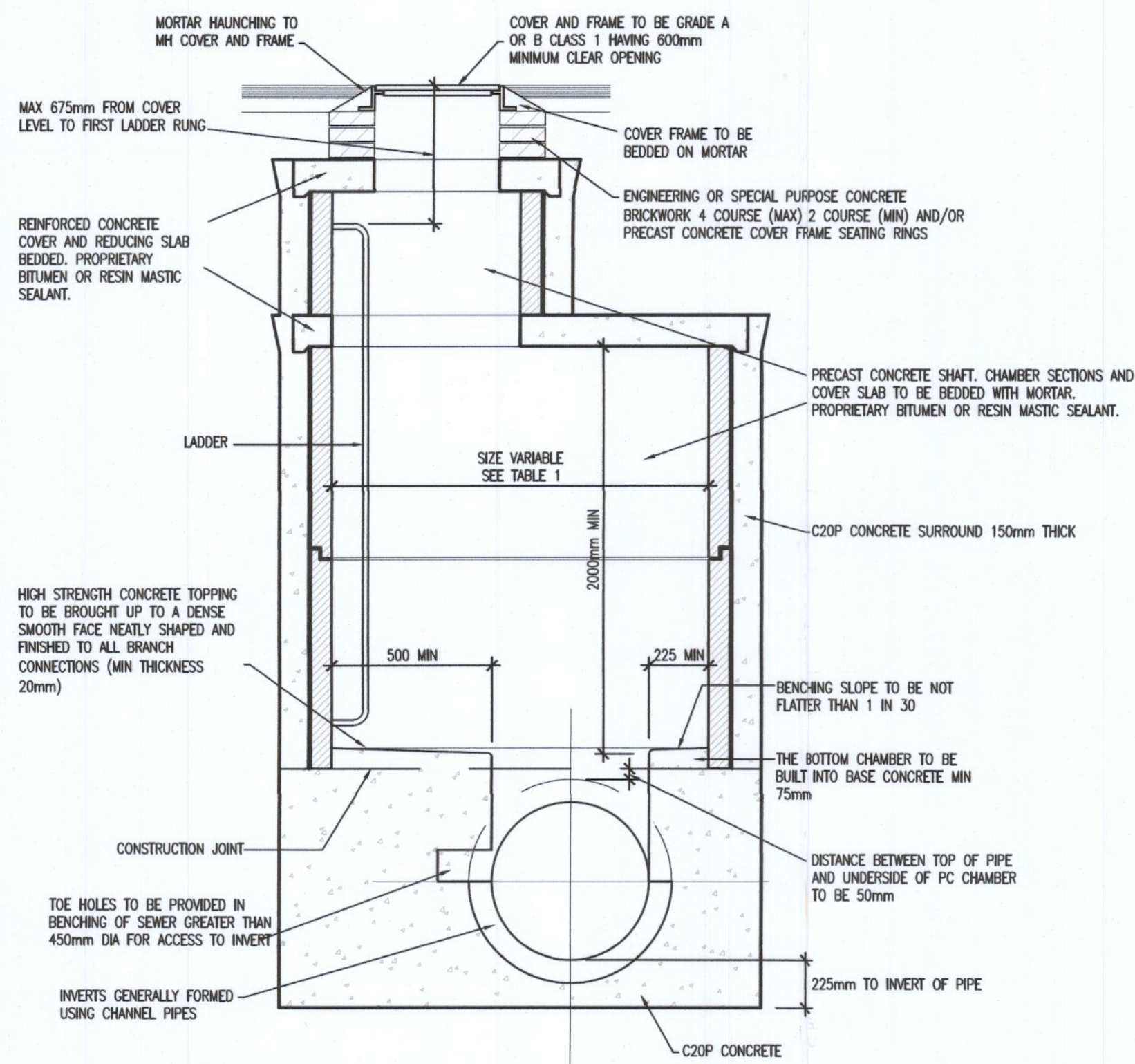
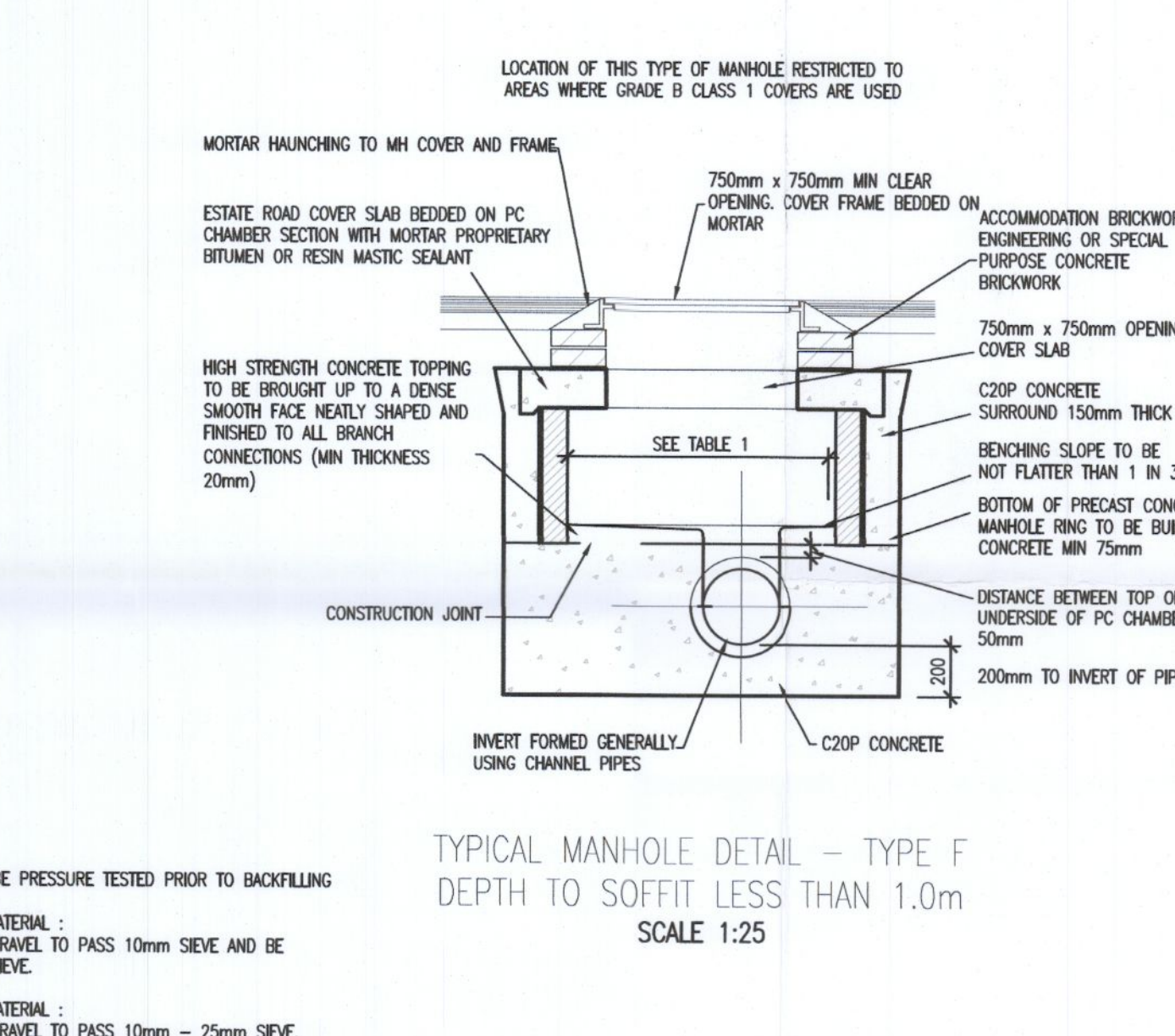
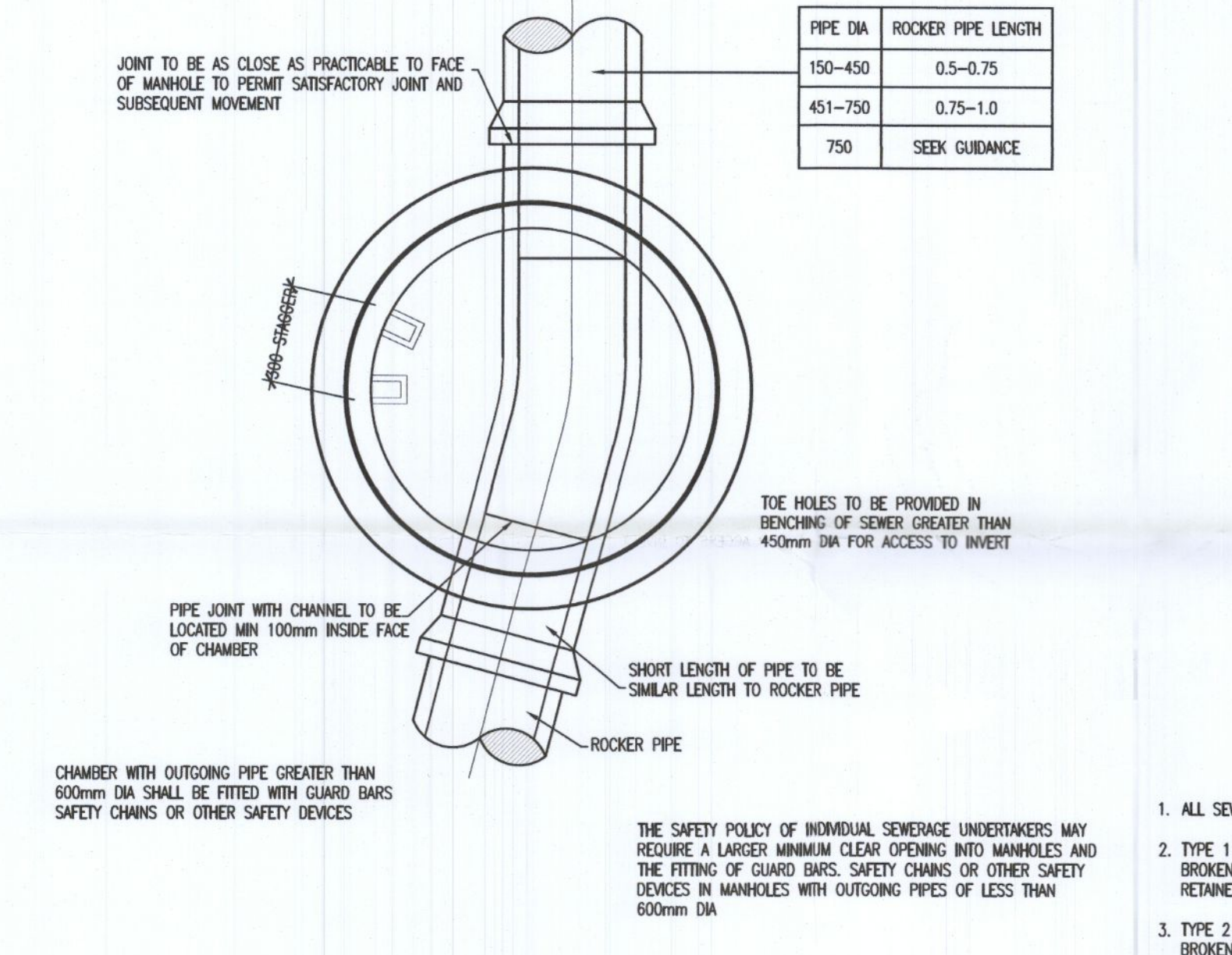
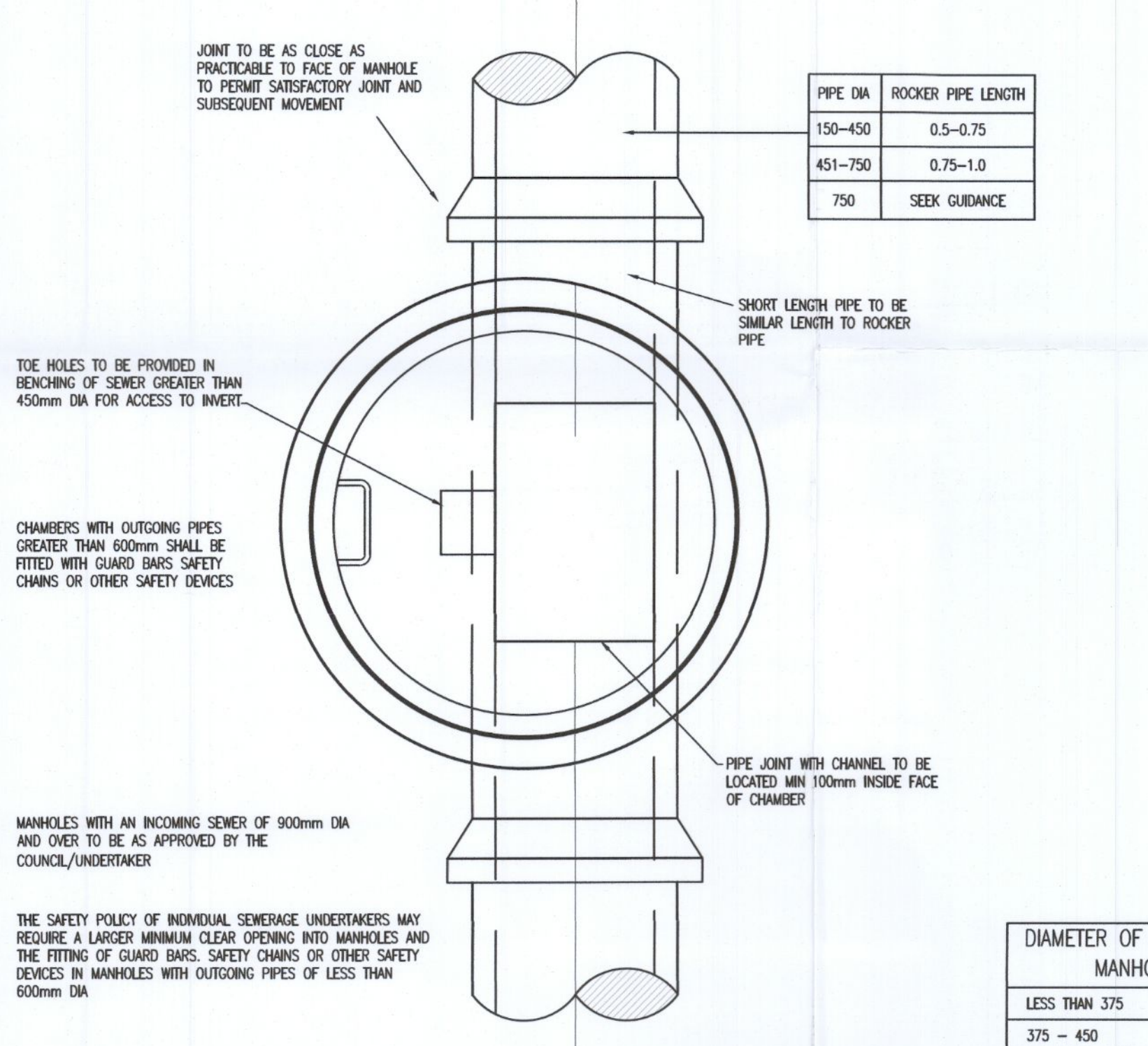


**NOTES:**

- FOR STANDARD DOBA NOTES REFER TO DRAWING 2203-S00.1 & S00.2
- REFER TO ARCHITECTS DRAWINGS FOR ALL SITE & APPLICATION BOUNDARIES
- THIS DRAWING IS TO BE READ IN CONJUNCTION WITH ALL OTHER RELEVANT ENGINEERS DRAWINGS AND SPECIFICATIONS
- USE FIGURED DIMENSIONS ONLY. DO NOT SCALE
- REFER TO SURVEY DRAWINGS FOR EXISTING SERVICES LAYOUTS AND MANHOLE INFORMATION
- ALL EXISTING SURFACES TO BE REINSTATED FOLLOWING DIVERSION OF SERVICES/CONSTRUCTION OF NEW SERVICES
- THE CONTRACTOR SHALL VERIFY ALL DIMENSIONS AND LEVELS WITH ENGINEERING & SURVEY DRAWINGS PRIOR TO START OF CONSTRUCTION. ANY DISCREPANCIES TO BE NOTIFIED TO THE ENGINEER & ARCHITECT FOR RESOLUTION
- CONTRACTOR TO ENSURE ALL WATER & WASTEWATER RELATED WORKS ARE IN ACCORDANCE WITH THE IRISH WATER WATER INFRASTRUCTURE & WASTEWATER INFRASTRUCTURE CODE OF PRACTICE & STANDARD DETAILS DOCUMENTS
- TESTING OF ALL GRAVITY SEWERS AND MANHOLES TO BE IN ACCORDANCE WITH IRISH WATER CODE OF PRACTICE FOR WASTEWATER INFRASTRUCTURE SECTION 4.10 TESTING OF GRAVITY SEWERS & MANHOLES
- THE SURVEY INFORMATION IN THIS DRAWING IS PROVIDED BY A THIRD PARTY. DONNACHADH O'BRIEN & ASSOCIATES CONSULTING ENGINEER LTD HAVE NOT VERIFIED THE ACCURACY OF THE SURVEY AND IS PRESENTED HEREON FOR INFORMATION PURPOSES ONLY. CONTRACTOR TO CARRY OUT SLIT TRENCHES TO CONFIRM THE EXACT LOCATION OF ALL EXISTING UNDERGROUND SERVICES. ANY DISCREPANCIES WITH THE SURVEY INFORMATION TO BE NOTIFIED TO THE ENGINEER FOR RESOLUTION.
- CONTRACTOR TO ALLOW FOR REROUTING & TEMPORARILY SUPPORTING EXISTING SERVICES ENCOUNTERED DURING THE WORKS
- CONTRACTOR TO ALLOW FOR TEMPORARY PUMPING OF GROUND WATER FOR ALL EXCAVATIONS. WATER TABLE APPROX 1.1m BELOW EXISTING GROUND LEVEL (REFER TO S.I. REPORTS)
- CONTRACTOR TO LIAISE WITH ALL RELEVANT LOCAL AUTHORITIES & UTILITY PROVIDERS WITH REGARD TO TEMPORARY DIVERSIONS, SERVICES DISRUPTIONS & PHASING.
- ALL GRANULAR MATERIAL USED FOR BACKFILL UNDER ROADS AND FOOTPATHS TO HAVE A CERTIFICATE OF COMPLIANCE (DESIGN) CONFIRMING COMPLIANCE WITH ANNEX E OF SR21 IN ACCORDANCE WITH THE BUILDING CONTROL (AMENDMENT) REGULATIONS 2014 (MINIMUM 3 TESTS)
- ALL EXCAVATED MATERIAL TO BE DISPOSED OFF SITE TO A SUITABLE LICENSED FACILITY
- CONTRACTOR RESPONSIBLE FOR ROAD OPENING LICENSES & APPROVALS, TEMPORARY TRAFFIC MANAGEMENT, H&S FOR ROAD CROSSINGS



TYPICAL MANHOLE DETAIL - TYPE E  
DEPTH TO SOFFIT 1.0 TO 1.35m  
SCALE 1:25

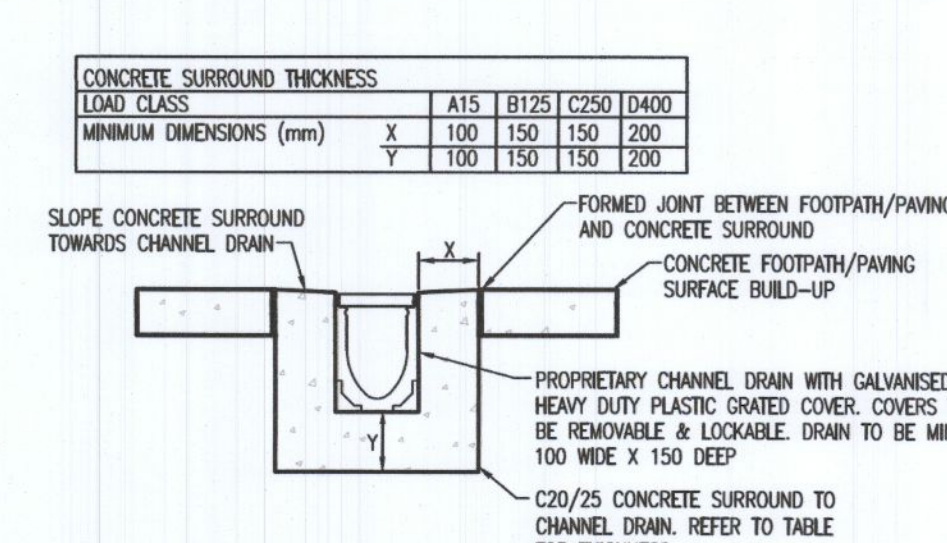


TYPICAL MANHOLE DETAIL - TYPE F  
DEPTH TO SOFFIT LESS THAN 1.0m  
SCALE 1:25

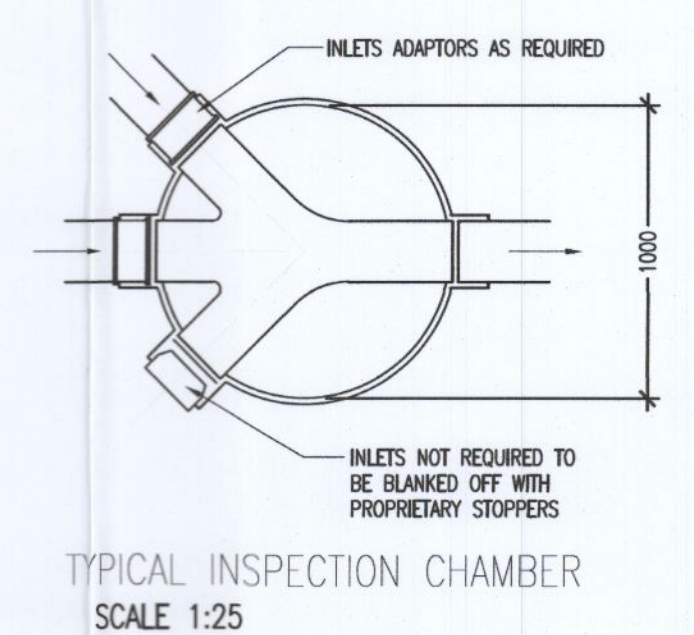
- ALL SEWERS SHALL BE PRESSURE TESTED PRIOR TO BACKFILLING
- TYPE 1 GRANULAR MATERIAL : BROKEN STONE OR GRAVEL TO PASS 10mm SIEVE AND BE RETAINED ON 5mm SIEVE.
- TYPE 2 GRANULAR MATERIAL : BROKEN STONE OR GRAVEL TO PASS 10mm - 25mm SIEVE, ACCORDING TO PIPE SIZE, (SEE TABLE) AND BE RETAINED ON 5mm SIEVE.
- TYPE 3 SELECTED FILL : UNIFORM READILY COMPACTED MATERIAL FREE FROM TREE ROOTS, VEGETABLE MATTER, BUILDING DEBRIS, AND FROZEN SOIL AND EXCLUDING CLAY LUMPS RETAINED ON A 75mm SIEVE AND STONES RETAINED ON A 37.5mm SIEVE.
- RIGID PIPES SHALL MEAN CAST OR SPUN IRON, CONCRETE OR CLAY.

DIAMETER OF LARGEST PIPE IN MANHOLE (mm)	CHAMBER SECTION DIAMETER (mm)
LESS THAN 375	1200 (1050 WHERE DEPTH TO SOFFIT IS 1.35m - 1.5m)
375 - 450	1350
500 - 700	1500
750 - 900	1800

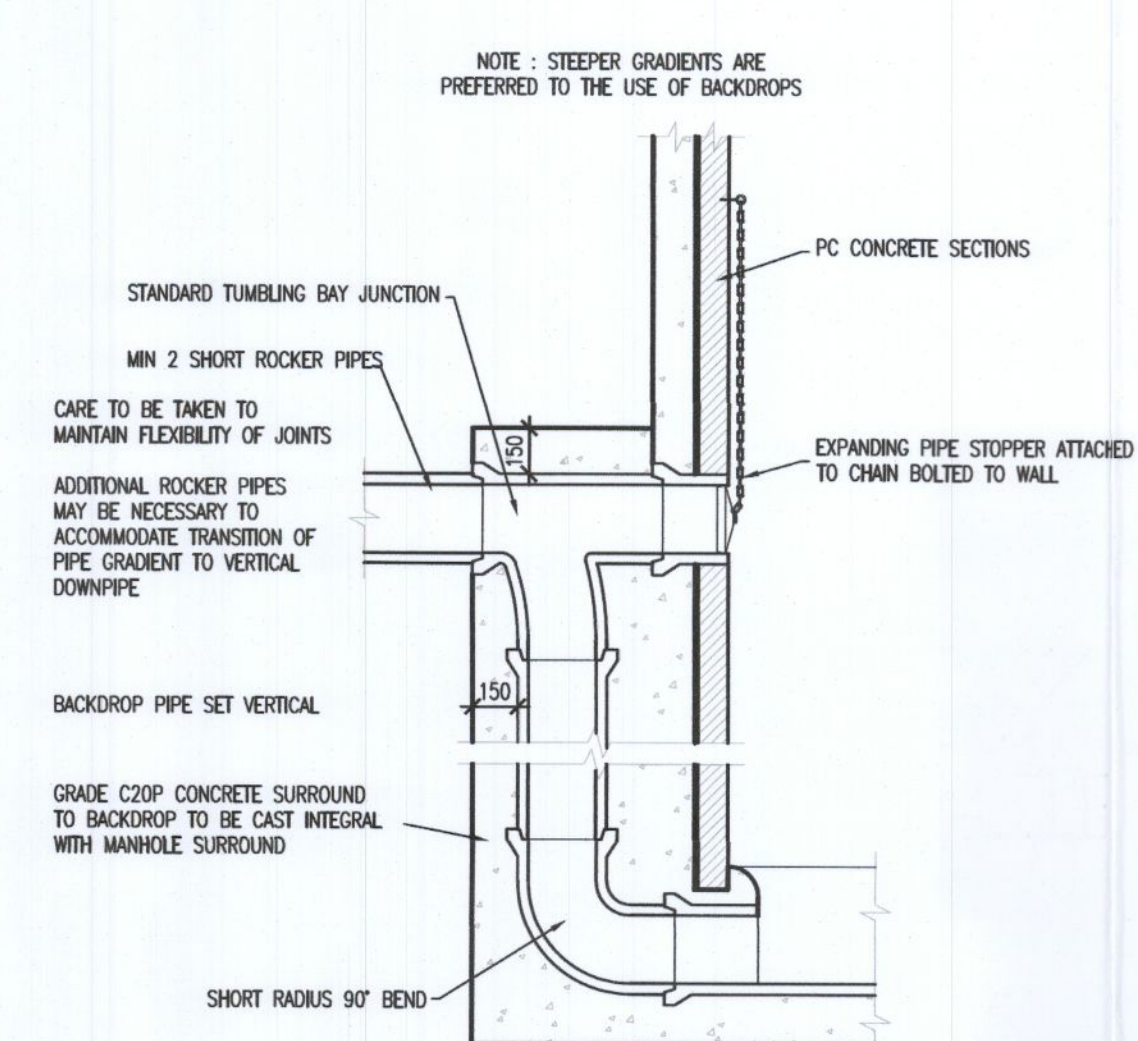
PIPE SIZE	100% PASSING
UP TO 225mm	10mm SIEVE
225 TO 450mm	20mm SIEVE
ABOVE 450mm	25mm SIEVE



TYPICAL CHANNEL DRAIN  
SCALE 1:25



TYPICAL INSPECTION CHAMBER  
SCALE 1:25



TYPICAL VERTICAL BACKDROP DETAIL  
SCALE 1:25

GROUP	MINIMUM CLASS	AREAS WHICH CAN ONLY BE USED BY PEDESTRIANS AND PEDAL CYCLISTS
GROUP 1	MINIMUM CLASS A15	AREAS WHICH CAN ONLY BE USED BY PEDESTRIANS AND PEDAL CYCLISTS
GROUP 2	MINIMUM CLASS B125	FOOTWAYS, PEDESTRIAN AND COMPARABLE AREAS, CAR PARKS OR CAR PARKING DECKS
GROUP 3	MINIMUM CLASS B250	FOR GULLY TOPS INSTALLED IN THE AREA OF KERBSIDE CHANNELS OF ROADS WHICH WHEN MEASURED FROM THE ROAD EDGE, EXTEND A MAXIMUM OF 0.5m INTO THE CARRIAGEWAY AND A MAXIMUM OF 0.2m INTO THE FOOTWAY
GROUP 4	MINIMUM CLASS D400 (NOROC)	CARRIAGEWAYS OF ROADS (INCLUDING PEDESTRIAN STREETS), HARD SHOULDERS AND PARKING AREAS, FOR ALL TYPES OF ROAD VEHICLES
GROUP 5	MINIMUM CLASS E600	AREAS IMPOSING HIGH WHEEL LOADS E.G. DOCKS, AIRCRAFT PAVEMENTS
GROUP 6	MINIMUM CLASS F900	AREAS IMPOSING PARTICULARLY HIGH WHEEL LOADS, E.G. AIRCRAFT PAVEMENTS

ISSUED FOR PLANNING

S2.P01	ISSUED FOR PLANNING	2022-08-05	KN	GB
Rev.	Note	Date	Drawn	Check

**DONNACHADH O'BRIEN & ASSOCIATES CONSULTING ENGINEERS**

UNIT 5C  
ELM HOUSE  
MILLENNIUM PARK  
NAAS  
CO. KILDARE

PHONE: +353 45 984 042  
INFO@DOBRIEN-ENGINEERS.IE  
WWW.DOBRIEN-ENGINEERS.IE

Client:	RATHGEARAN LTD			
Project:	PR HOUSING DEVELOPMENT, MAIN ST. NEWCASTLE, CO DUBLIN			
Drawing Title:	PROPOSED TYPICAL MANHOLE DETAILS			
Drawn By:	Checked By:	Approved By:	Date:	Scale:
KN	GB	DOB	JULY 2022	NTS
Project Number:	Drawing Number:	Status Code:	Rev Number:	
DOBA2203	2203-DOB-XX-SI-DR-C-0150	S2	P01	