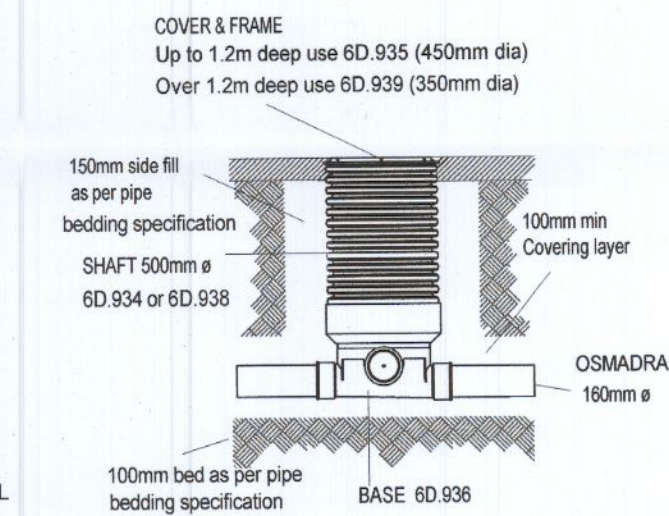
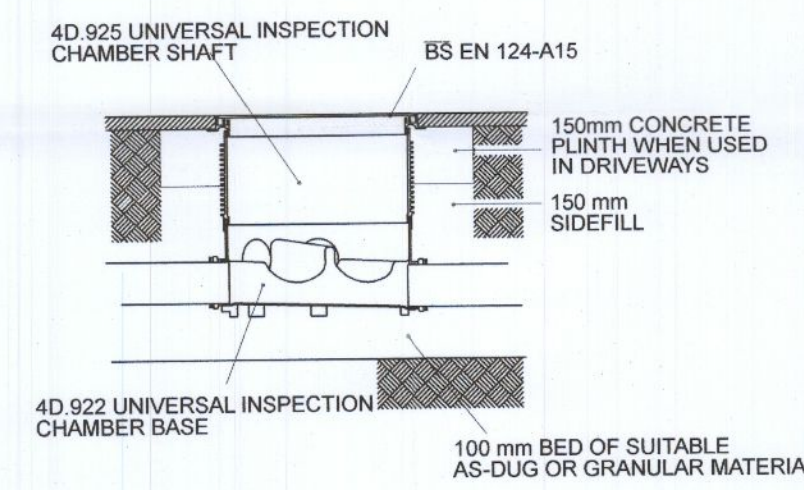
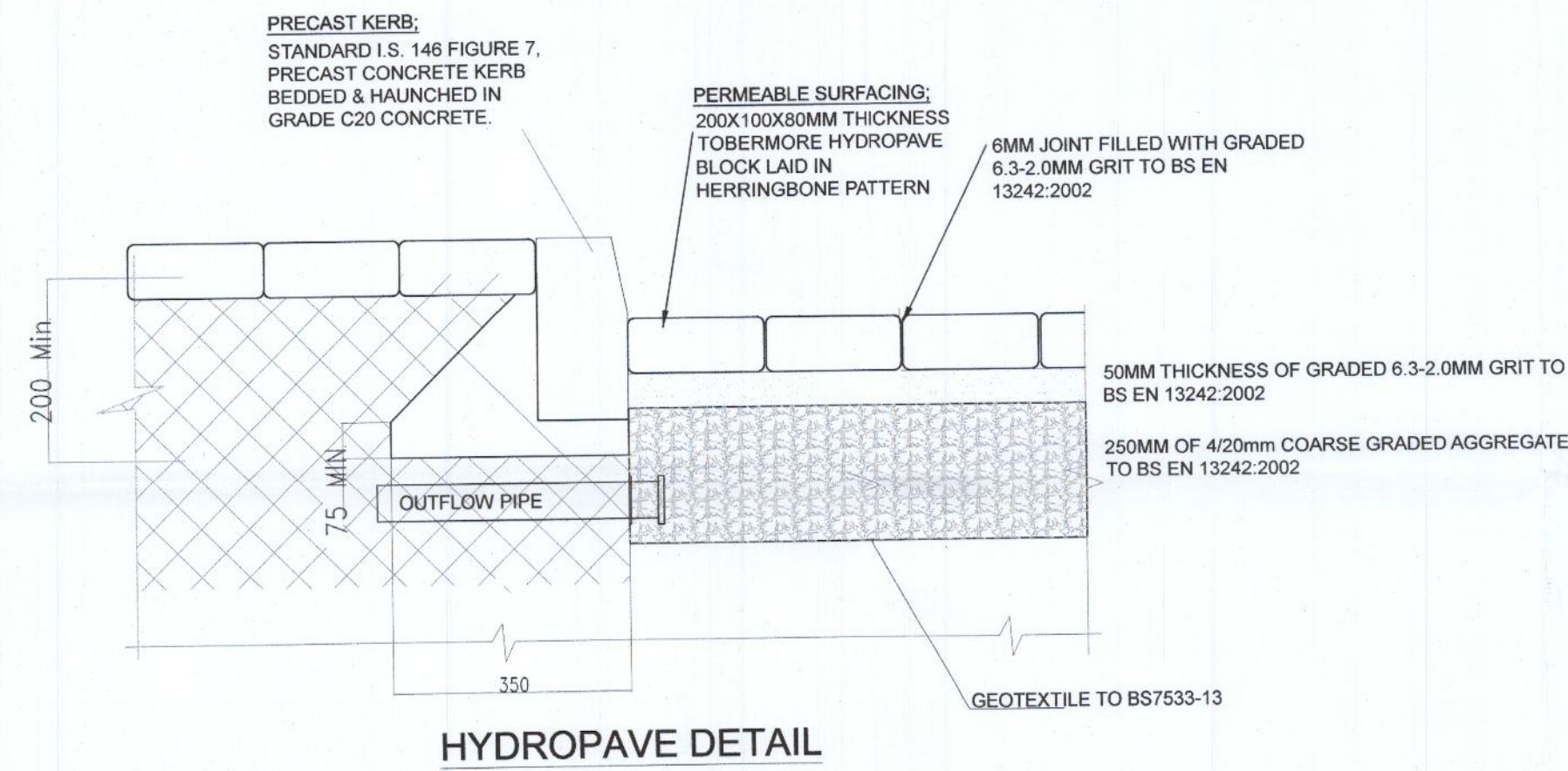
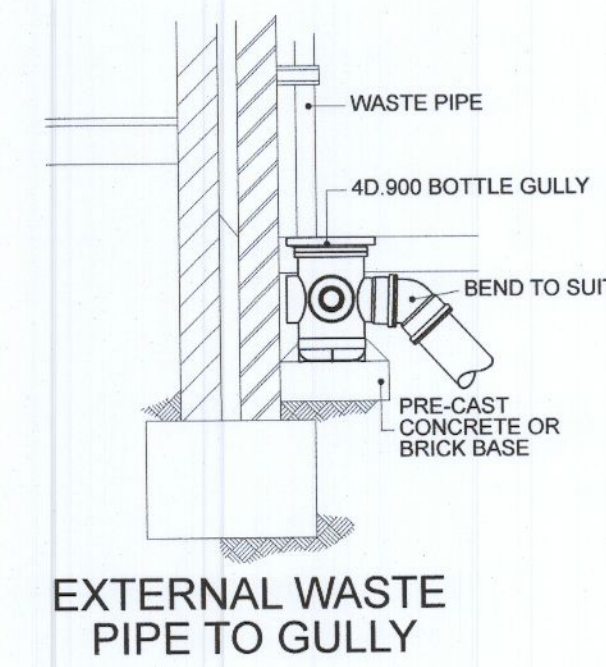
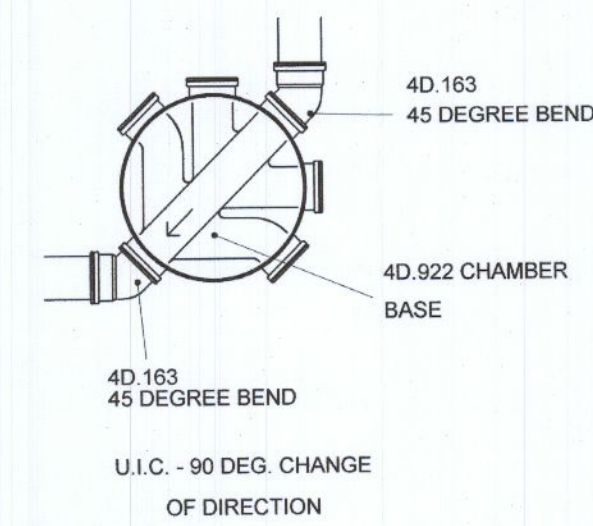
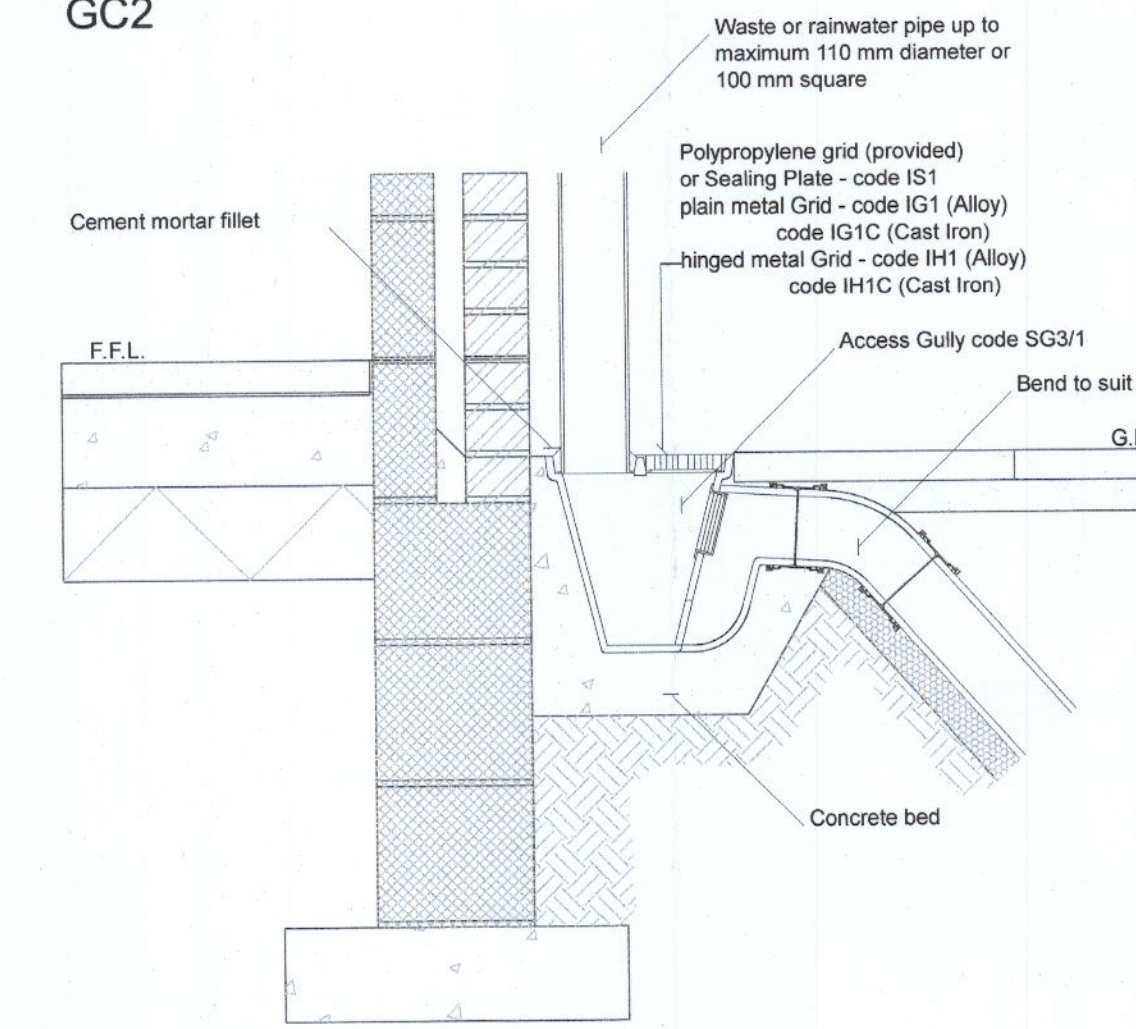
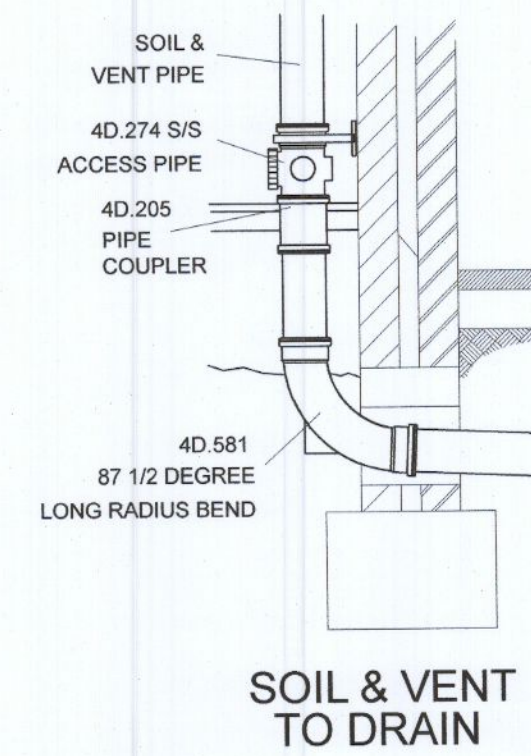
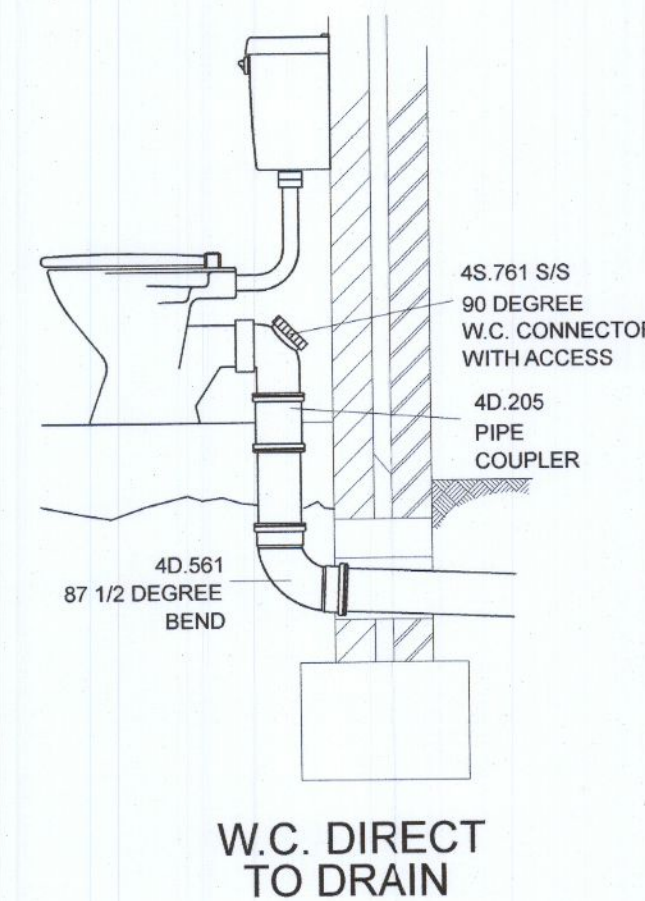


Access Gully.  
Connection Detail  
GC2



U.I.C. - BS EN 124-A15  
INSTALLATION



- NOTES
1. For setting out refer to Architect's drawings.
  2. This drawing to be read in conjunction with all other Architectural and Engineering drawings and all other relevant drawings and Specifications.
  3. DO NOT SCALE THIS DRAWING. Use figured dimensions only.
  4. No part of this document may be reproduced or transmitted in any form or stored in any retrieval system of any nature without the written permission of GKCE LTD as copyright holder except as agreed for use on the project for which the document was originally issued.

- PROGRESS  
 PLANNING  
 TENDER  
 CONSTRUCTION

Issued To	Date	No. Of Copies
Architect		
Quantity Surveyor		
Main Contractor		
M. & E. Engineers		
Client		
Clerk of Works		

Rev	By	Date	Description
PL1	AA	21.07.2022	PLANNING

Scales AS SHOWN	Date JULY 2022	Drawn AA	Checked
-----------------	----------------	----------	---------

JOB TITLE  
 PROPOSED RESIDENTIAL DEVELOPMENT  
 THE CLOISTER  
 LUCAN ROAD  
 DRG. TITLE  
 DRAINAGE DETAILS

GK Consulting Engineers LTD

Unit 12 Millbank Business Centre K78CF75  
 ph 018749322  
 email office@gkce.ie  
 www.gkce.ie

Consulting Engineers

DRAWING NUMBER	GK19106-C305	REV.	PL1
----------------	--------------	------	-----