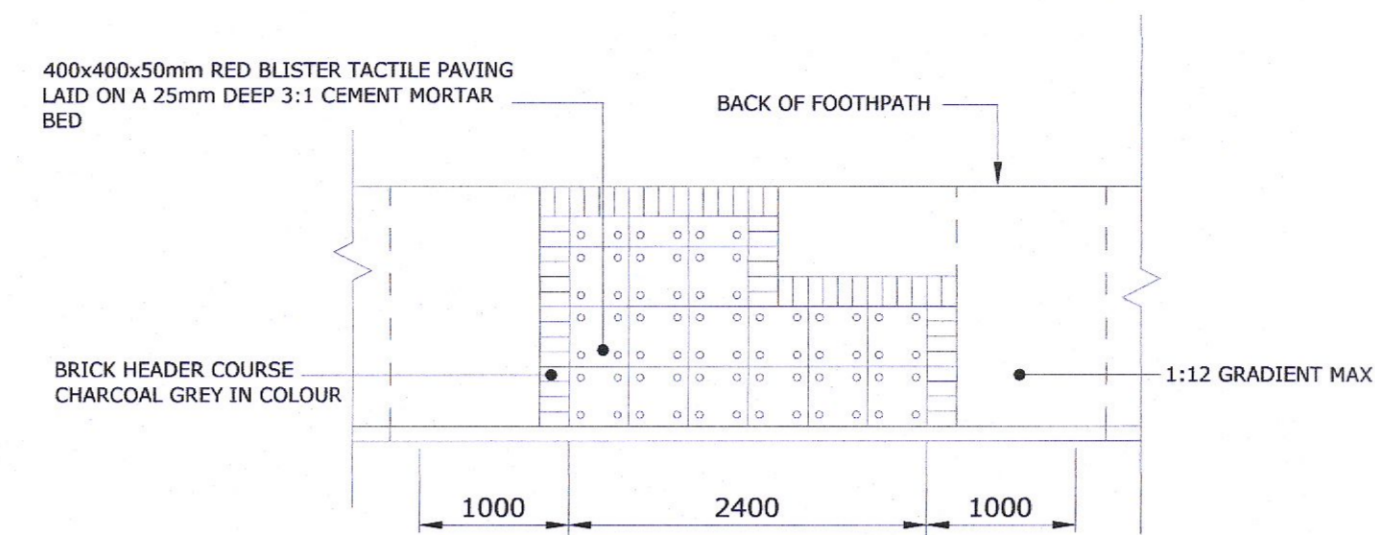
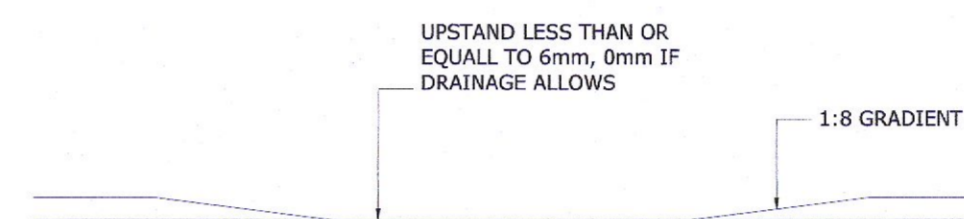


TYPICAL RAISED RAMP PLAN & ZEBRA CROSSING PLAN
SCALE 1:50



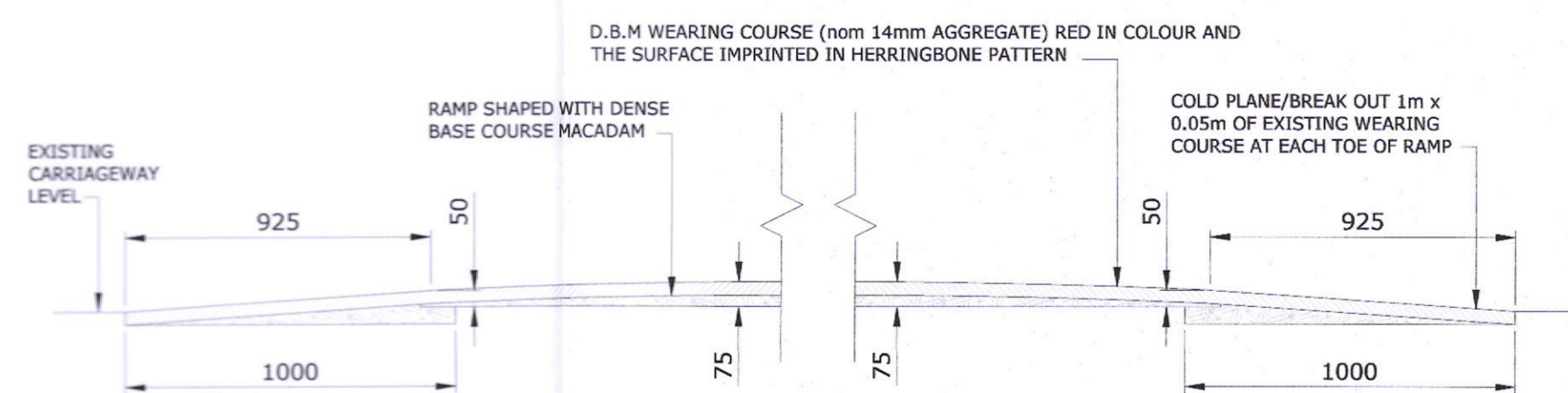
TYPICAL TACTILE PAVING AT ZEBRA CROSSING PLAN
SCALE 1:50



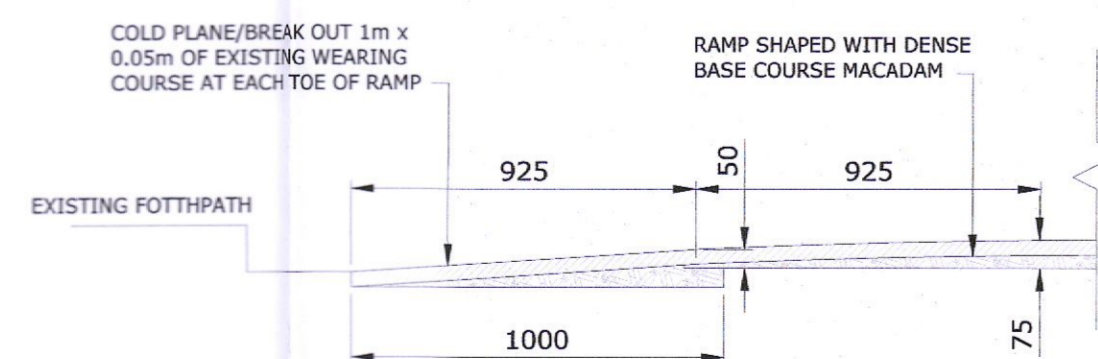
TACTILE PAVING ELEVATION
SCALE 1:50

NOTE:

1. TACTILE PAVING SLABS 400x400mm RED IN COLOUR.
2. L SHAPED CONFIGURATION OF TACTILE SLABS ON BOTH SIDES OF THE ROAD.
3. LEG OF L TO BE THREE SLABS WIDE TO ENSURE A VISUALLY IMPAIRED PERSON LOCATES THE CROSSING WHEN WALKING ALONG THE PAVEMENT, TOP OF L TO BE TWO SLABS WIDE.
4. THE TACTILE DOMES ON THE TILES MUST BE LINED UP TO GIVE THE DIRECTION OF TRAVEL IN ORDER TO CROSS THE ROAD STRAIGHT
5. UTILITY/SERVICE BOXES SHOULD NOT BE LOCATED IN THE TACTILE PAVED AREAS WHERE POSSIBLE.
6. BRICK HEADER COURSE OUTLINING TACTILE PAVED AREA TO BE 215x100x65mm CHARCOAL GREY IN COLOUR.
7. TRAFFIC BOXES AND DUCTING (INCLUDING DUCTING TO ILLUMINATED BOLLARDS AND SCATS LOOPS) TO SUIT SITE ARRANGEMENTS.
8. ALL CLAUSE REFERENCES RELATE TO VOLUME 1 SPECIFICATION FOR ROAD WORKS (NRA).



TYPICAL RAISED RAMP DETAIL SECTION A-A
SCALE 1:20



TYPICAL RAISED RAMP CHANNEL DETAIL SECTION B-B
SCALE 1:20

Rev	Date	Description	By	Chkd.
A	07.02.17	PLANNING	CS	AM

Client: Department of Education and Skills

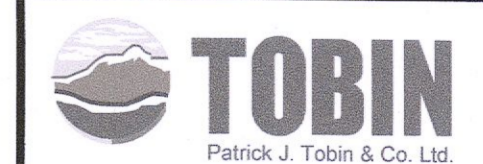
Project: 6.1 Clondalkin Old Nangor Road Clondalkin Dublin 22

Title: Pedestrian Crossing Details

Scale @ A1: AS SHOWN

Prepared by: CS
Checked: AM
Date: FEB 2017

Project Director: MICHAEL MCDONNELL



TOBIN Consulting Engineers,
Block 10-4, Blanchardstown Corporate Park,
Dublin 15, Ireland.
tel: +353-(0)1-8030406
fax: +353-(0)1-8030409
e-mail: dublin@tobin.ie
www.tobin.ie

TOBIN Consulting Engineers will not be liable for any use of this document for any purpose other than that for which it was originally prepared and provided. Further specifications and conditions of service are available on request. Engineers, as copyright holders, do not warrant the accuracy or completeness of any data and this document shall not be relied upon by any third party for any purpose.

Drawing No.: 8064-2509

Revision: A