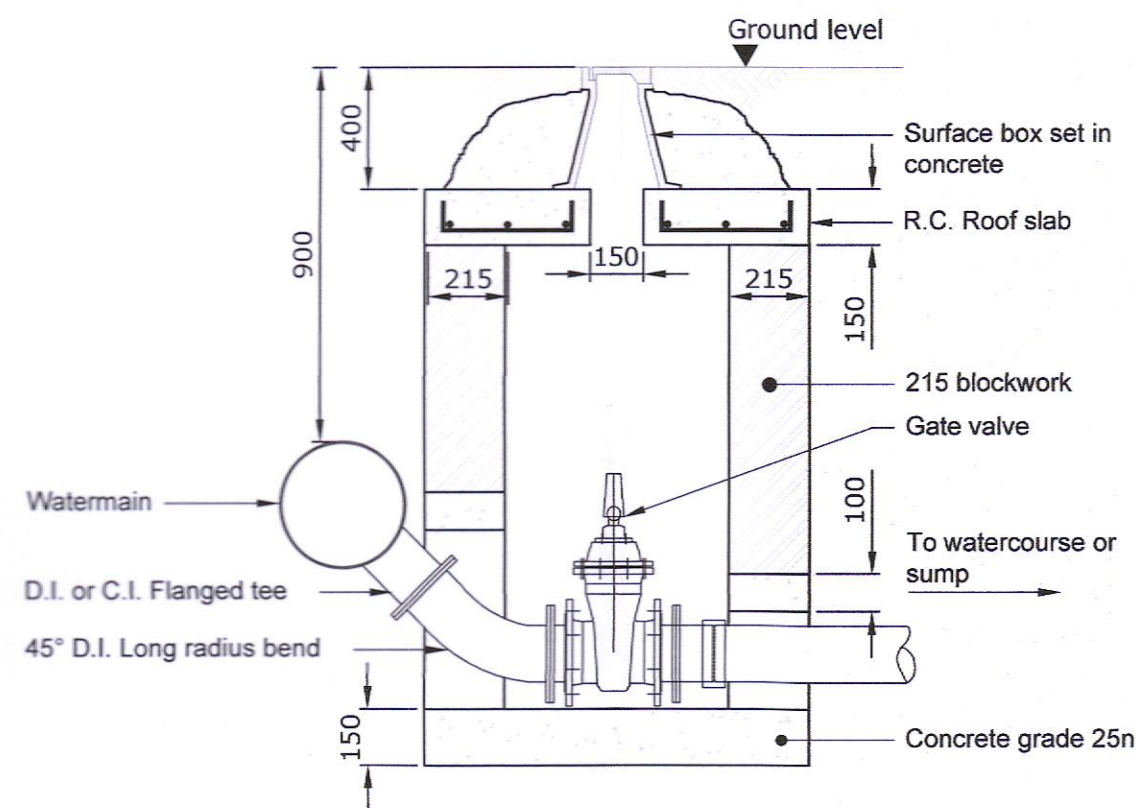


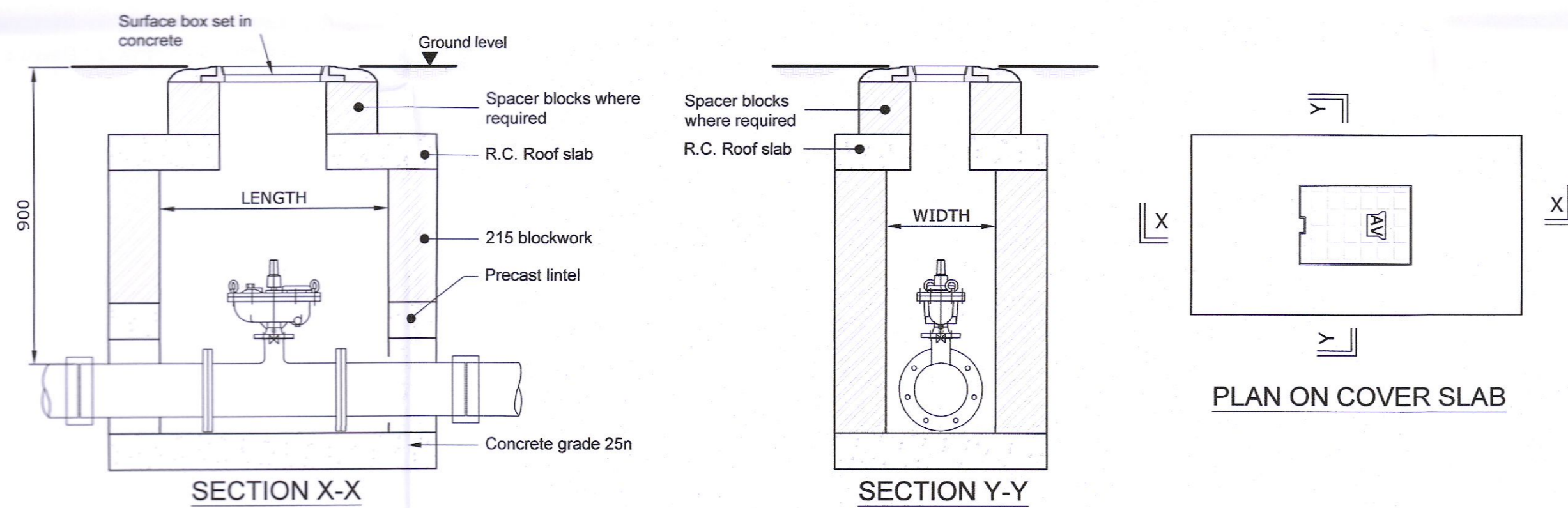
HYDRANT CHAMBER

HYDRANT CHAMBER DIMENSIONS				
VALVE DIA. (mm)	CHAMBER WIDTH (W)	CHAMBER LENGTH (L)	DEPTH OF COVER TO PIPE (H)	CLEAR OPE. SURFACE BOX (mm)
50	390	720	900	375x225
80	460	960	900	575x300
100	460	960	900	575x300
150	920	1500	900	900x600



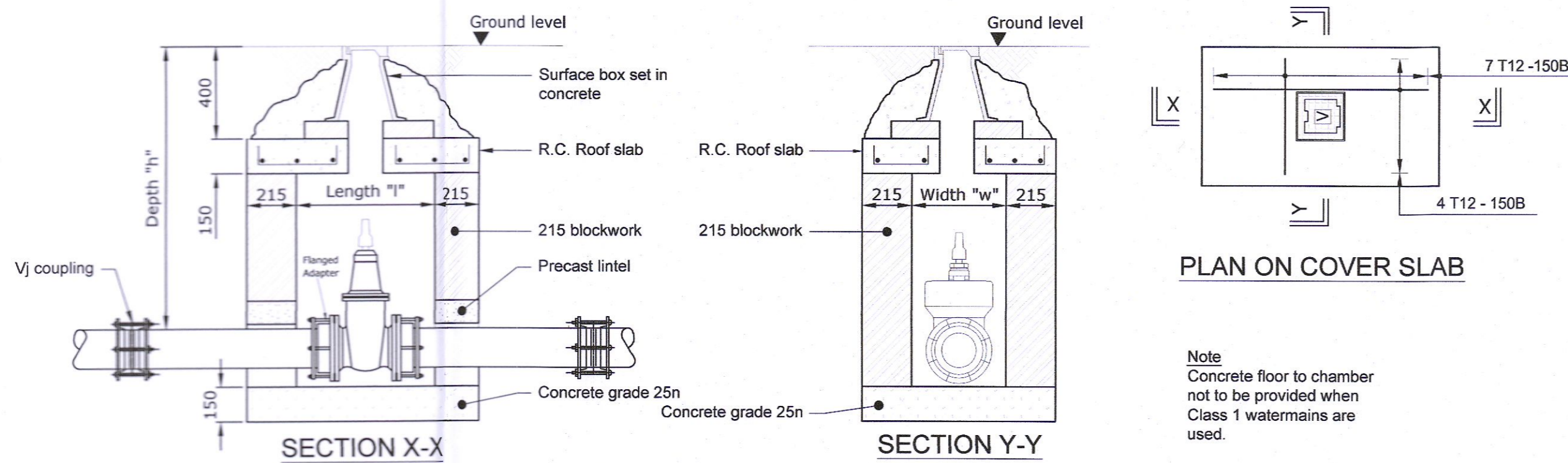
TYPE 1 SCOUR CHAMBER

SCOUR SIZES	
MAIN PIPE DIA (mm)	SCOUR PIPE DIA. (mm)
80 100 150	80
200	100
250 300 350	150
400 450 500	200
600	REFER TO SPEC.



AIR VALVE CHAMBER

AIR VALVE CHAMBER DIMENSIONS			
PIPE DIA (mm)	CHAMBER WIDTH (W)	CHAMBER LENGTH (L)	DEPTH OF COVER TO PIPE (H)
150	510	690	900
250	510	690	900
300	600	720	1050
400	800	800	1050
450	800	800	1050
500	1000	1000	1050
600	1200	1200	1300



SLUICE VALVE CHAMBER

SLUICE VALVE CHAMBER DIMENSIONS			
VALVE DIA. (mm)	CHAMBER WIDTH (W)	CHAMBER LENGTH (L)	DEPTH OF COVER TO PIPE (H)
80	280	560	900
100	310	560	900
150	410	610	900
200	460	610	900
250	510	690	900
300	600	720	1060
400	800	800	1060

Note  
Concrete floor to chamber not to be provided when Class 1 watermain are used.

- NOTES
1. FIGURED DIMENSIONS ONLY TO BE TAKEN FROM THIS DRAWING
  2. ALL DRAWINGS TO BE CHECKED BY THE CONTRACTOR ON SITE
  3. ENGINEER TO BE INFORMED BY THE CONTRACTOR OF ANY DISCREPANCIES BEFORE ANY WORK COMMENCES
  4. ALL LEVELS SHOWN RELATE TO ORDNANCE SURVEY DATUM AT MALIN HEAD

Rev	Date	Description	By	Chkd.
A	07.02.17	PLANNING	CS	AM

Client: Department of Education and Skills

Project: 6.1 Clondalkin Old Nangor Road Clondalkin Dublin 22

Title: TYPICAL WATERMAIN DETAILS

Scale @ A1: 1:20  
 Prepared by: CS Checked: AM FEB 2017  
 Project Director: MICHAEL MCDONNELL  
 Drawing Status: PLANNING

**TOBIN**  
 Patrick J. Tobin & Co. Ltd.  
 TOBIN Consulting Engineers,  
 Block 10-4, Blanchardstown Corporate Park,  
 Dublin 15, Ireland.  
 tel: +353-(0)1-8030406  
 fax: +353-(0)1-8030409  
 e-mail: dublin@tobin.ie  
 www.tobin.ie

Drawing No: 8064-2508 A