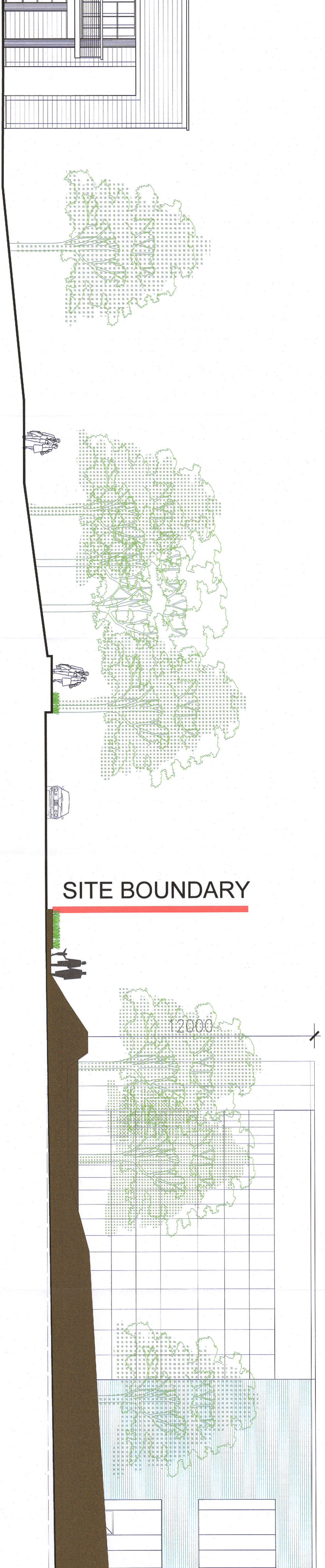


All dimensions to be checked on site. If any discrepancy is found, the contractor shall be notified immediately. Any error or discrepancy in the drawing may not be noticed or corrected by the contractor.

Copyright and ownership of this drawing is retained in RCD. No part of this drawing may be reproduced or transmitted in any form or by any means, electronic, mechanical, photocopying, recording, or by any information storage and retrieval system, without the prior written permission of RCD. RCD is not responsible for any loss or damage, including consequential loss or damage, arising from the use of this drawing.

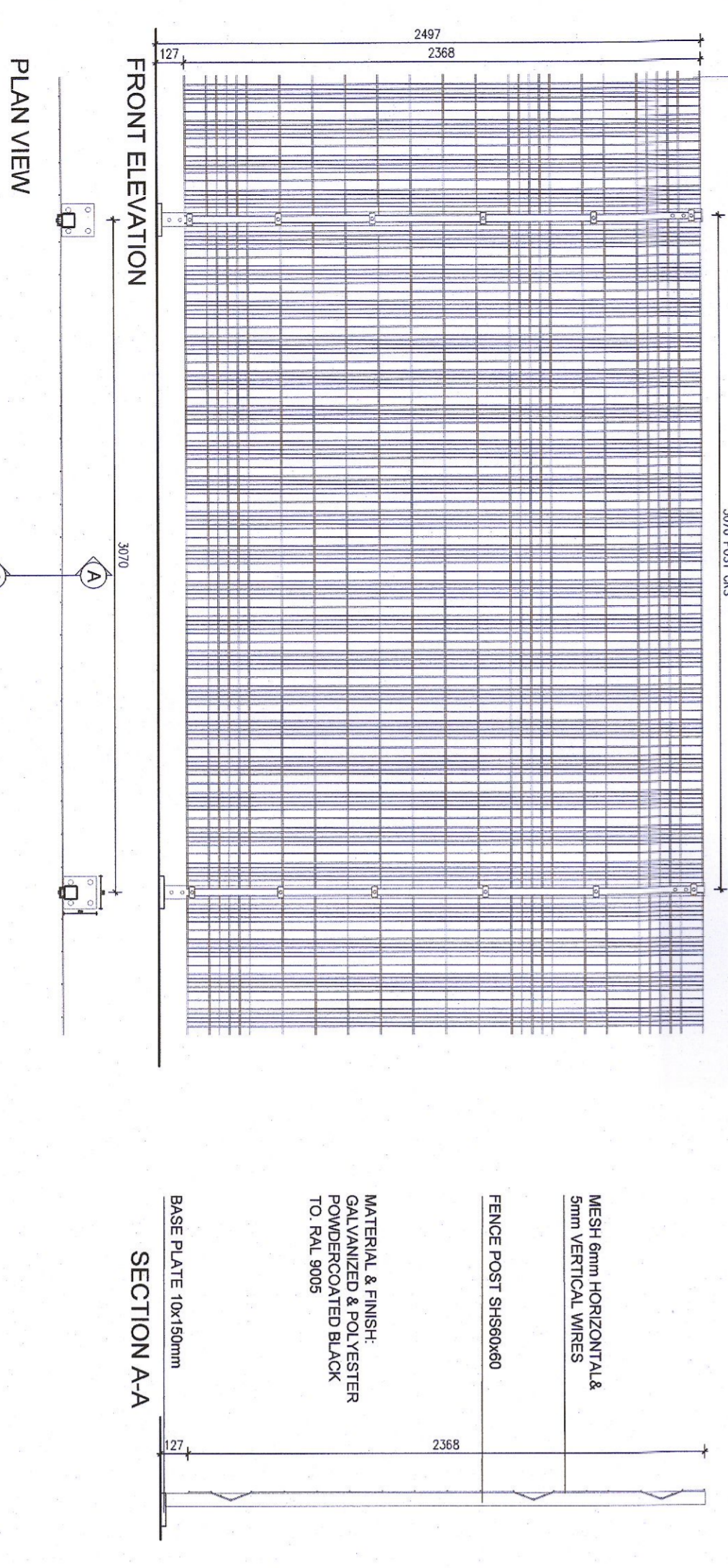
PERMITTED LEVELS ADJUSTED BY -0.380m TO ALLOW FOR DISCREPANCY TO BETWEEN ORIGINAL PLANNING APPLICATION SUBMISSION AND PROPOSED AMENDMENT APPLICATION



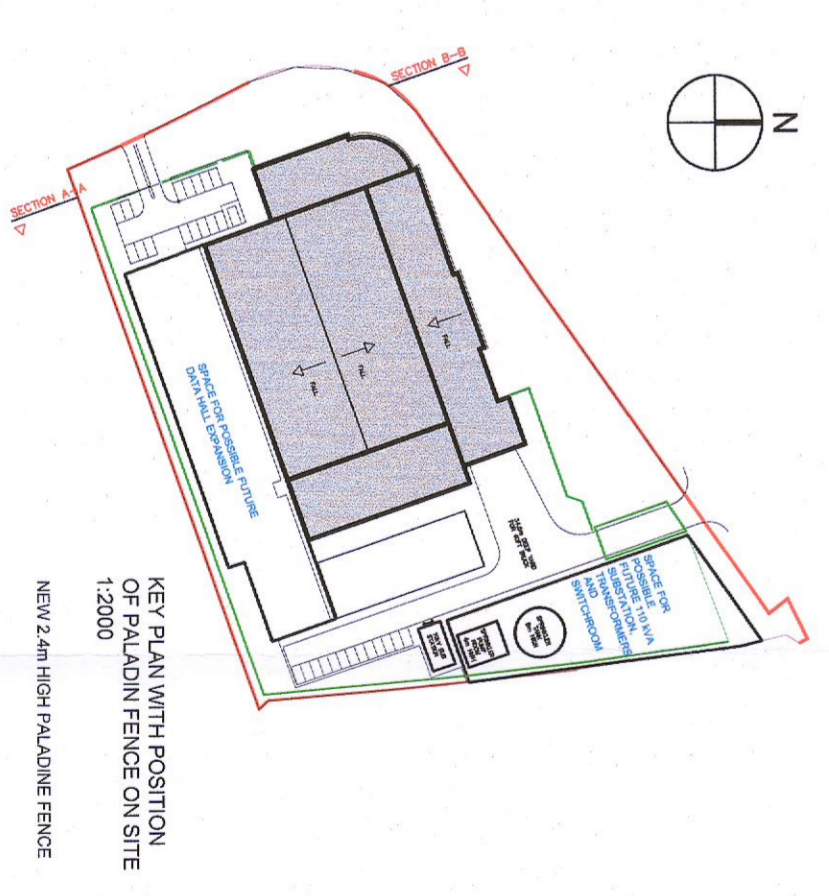
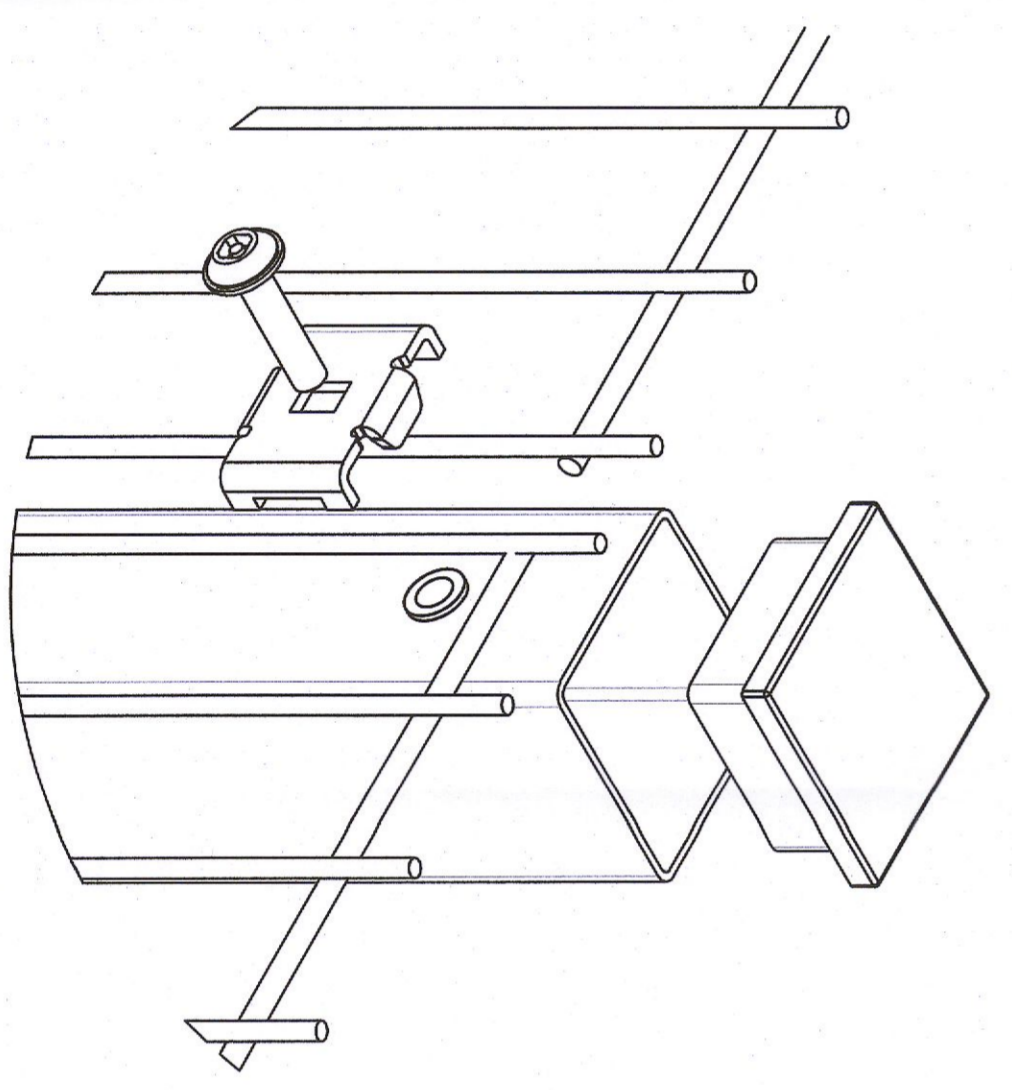
1 BOUNDARY SEGMENT B-B
1:100
±119.500



2 BOUNDARY SEGMENT A-A
1:100



3 PALADIN FENCE 2.4m HIGH
1:25



PERMITTED DRAWING UNDER PLANNING REFERENCE SD18A/0301, PREVIOUS DRAWING REFERENCE PA001 1 REV C				
NO.	REV.	DATE	BY	DESCRIPTION
1	18/07/22	DN	ISSUED FOR PLANNING	
2	21/11/24	DN	FOR RCD	
3	18/07/22	DN	ISSUED FOR PLANNING	
4	21/11/24	DN	FOR RCD	
5	18/07/22	DN	ISSUED FOR PLANNING	
6	21/11/24	DN	FOR RCD	
7	18/07/22	DN	ISSUED FOR PLANNING	
8	21/11/24	DN	FOR RCD	
9	18/07/22	DN	ISSUED FOR PLANNING	
10	21/11/24	DN	FOR RCD	
11	18/07/22	DN	ISSUED FOR PLANNING	
12	21/11/24	DN	FOR RCD	
13	18/07/22	DN	ISSUED FOR PLANNING	
14	21/11/24	DN	FOR RCD	
15	18/07/22	DN	ISSUED FOR PLANNING	
16	21/11/24	DN	FOR RCD	
17	18/07/22	DN	ISSUED FOR PLANNING	
18	21/11/24	DN	FOR RCD	
19	18/07/22	DN	ISSUED FOR PLANNING	
20	21/11/24	DN	FOR RCD	
21	18/07/22	DN	ISSUED FOR PLANNING	
22	21/11/24	DN	FOR RCD	
23	18/07/22	DN	ISSUED FOR PLANNING	
24	21/11/24	DN	FOR RCD	
25	18/07/22	DN	ISSUED FOR PLANNING	
26	21/11/24	DN	FOR RCD	
27	18/07/22	DN	ISSUED FOR PLANNING	
28	21/11/24	DN	FOR RCD	
29	18/07/22	DN	ISSUED FOR PLANNING	
30	21/11/24	DN	FOR RCD	
31	18/07/22	DN	ISSUED FOR PLANNING	
32	21/11/24	DN	FOR RCD	
33	18/07/22	DN	ISSUED FOR PLANNING	
34	21/11/24	DN	FOR RCD	
35	18/07/22	DN	ISSUED FOR PLANNING	
36	21/11/24	DN	FOR RCD	
37	18/07/22	DN	ISSUED FOR PLANNING	
38	21/11/24	DN	FOR RCD	
39	18/07/22	DN	ISSUED FOR PLANNING	
40	21/11/24	DN	FOR RCD	
41	18/07/22	DN	ISSUED FOR PLANNING	
42	21/11/24	DN	FOR RCD	
43	18/07/22	DN	ISSUED FOR PLANNING	
44	21/11/24	DN	FOR RCD	
45	18/07/22	DN	ISSUED FOR PLANNING	
46	21/11/24	DN	FOR RCD	
47	18/07/22	DN	ISSUED FOR PLANNING	
48	21/11/24	DN	FOR RCD	
49	18/07/22	DN	ISSUED FOR PLANNING	
50	21/11/24	DN	FOR RCD	
51	18/07/22	DN	ISSUED FOR PLANNING	
52	21/11/24	DN	FOR RCD	
53	18/07/22	DN	ISSUED FOR PLANNING	
54	21/11/24	DN	FOR RCD	
55	18/07/22	DN	ISSUED FOR PLANNING	
56	21/11/24	DN	FOR RCD	
57	18/07/22	DN	ISSUED FOR PLANNING	
58	21/11/24	DN	FOR RCD	
59	18/07/22	DN	ISSUED FOR PLANNING	
60	21/11/24	DN	FOR RCD	
61	18/07/22	DN	ISSUED FOR PLANNING	
62	21/11/24	DN	FOR RCD	
63	18/07/22	DN	ISSUED FOR PLANNING	
64	21/11/24	DN	FOR RCD	
65	18/07/22	DN	ISSUED FOR PLANNING	
66	21/11/24	DN	FOR RCD	
67	18/07/22	DN	ISSUED FOR PLANNING	
68	21/11/24	DN	FOR RCD	
69	18/07/22	DN	ISSUED FOR PLANNING	
70	21/11/24	DN	FOR RCD	
71	18/07/22	DN	ISSUED FOR PLANNING	
72	21/11/24	DN	FOR RCD	
73	18/07/22	DN	ISSUED FOR PLANNING	
74	21/11/24	DN	FOR RCD	
75	18/07/22	DN	ISSUED FOR PLANNING	
76	21/11/24	DN	FOR RCD	
77	18/07/22	DN	ISSUED FOR PLANNING	
78	21/11/24	DN	FOR RCD	
79	18/07/22	DN	ISSUED FOR PLANNING	
80	21/11/24	DN	FOR RCD	
81	18/07/22	DN	ISSUED FOR PLANNING	
82	21/11/24	DN	FOR RCD	
83	18/07/22	DN	ISSUED FOR PLANNING	
84	21/11/24	DN	FOR RCD	
85	18/07/22	DN	ISSUED FOR PLANNING	
86	21/11/24	DN	FOR RCD	
87	18/07/22	DN	ISSUED FOR PLANNING	
88	21/11/24	DN	FOR RCD	
89	18/07/22	DN	ISSUED FOR PLANNING	
90	21/11/24	DN	FOR RCD	
91	18/07/22	DN	ISSUED FOR PLANNING	
92	21/11/24	DN	FOR RCD	
93	18/07/22	DN	ISSUED FOR PLANNING	
94	21/11/24	DN	FOR RCD	
95	18/07/22	DN	ISSUED FOR PLANNING	
96	21/11/24	DN	FOR RCD	
97	18/07/22	DN	ISSUED FOR PLANNING	
98	21/11/24	DN	FOR RCD	
99	18/07/22	DN	ISSUED FOR PLANNING	
100	21/11/24	DN	FOR RCD	