

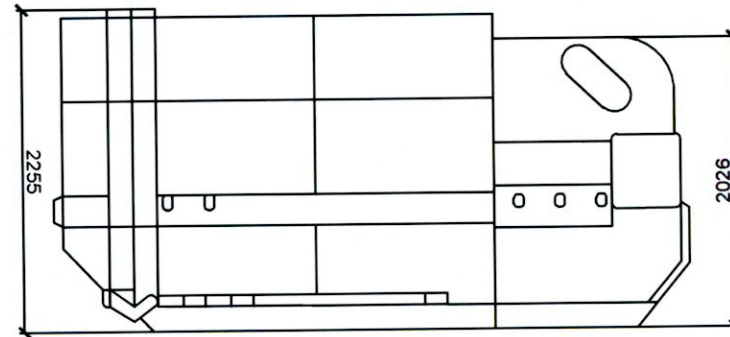
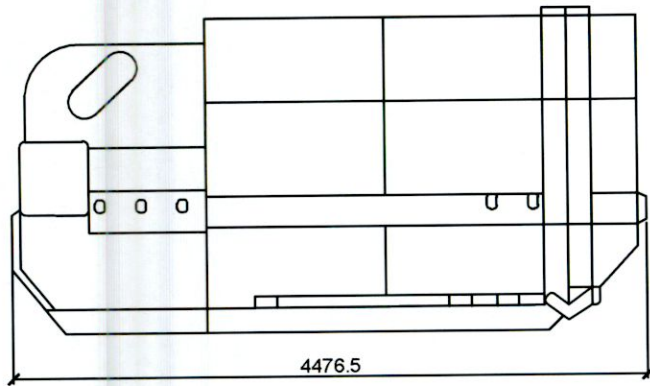


Proposed location of PTU compactors

Site Boundary, Outlined in red (1.2 Ha)

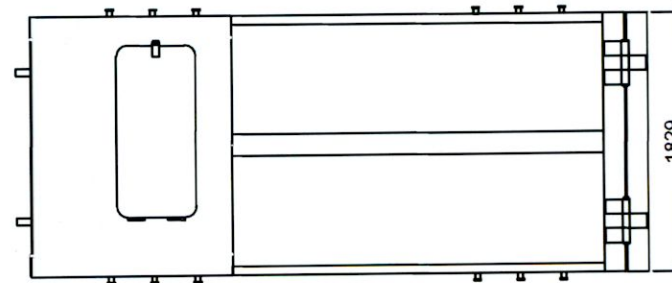
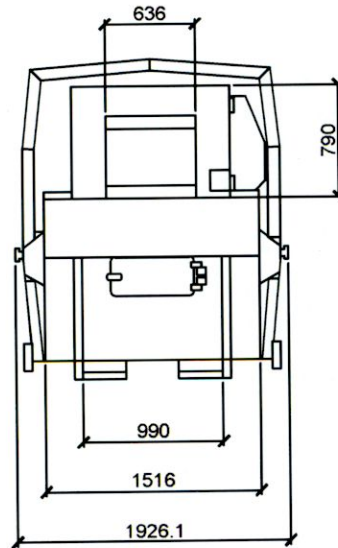
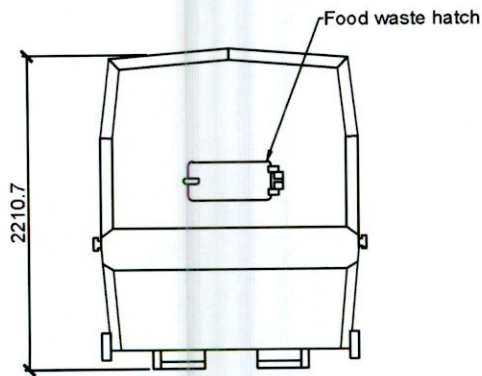
<p>Site Layout Map: Supervallu, Firhouse Shopping Centre, Ballycullen Avenue, Dublin 24, D24 NYT3</p>	
<p>Site Boundary —</p>	
<p>Planning application for permission for placement of a portable pay-to-use waste compactor for the acceptance of residual and food waste and a portable pay-to-use compactor for mixed recyclables</p>	
Sheet	1 of 1
Size	A3
Scale	1:500
Date	25/05/22
<p>Centre coordinates X,Y = 710616.8573, 726934.0894</p>	
<p>Map Series   Map Sheets 1:1,000   3390-19</p>	
<p>Data Extraction Date: 25-May-2022</p>	
<p>Drawn By: E. Reville BlGbin Waste Tech</p>	





BACK VIEW

FRONT VIEW



The BIGbin is a free-standing, fully sealed 'pay to use' (PTU) compactor designed for the disposal of separately collected household waste/recyclables. Two units are available - one for dry recyclables and one for residual waste and food waste (collected in separate compartments). The units are fully sealed and there are no emissions from them

Size	A4
Scale	1:50
Rev	0
Date	25/05/22

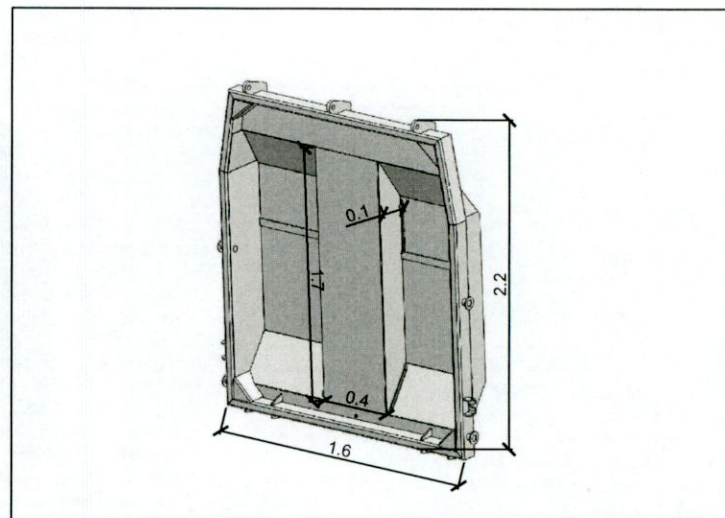
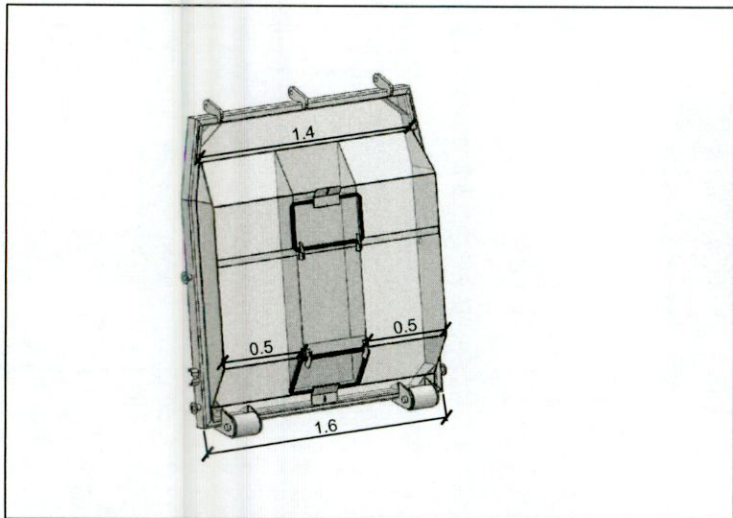
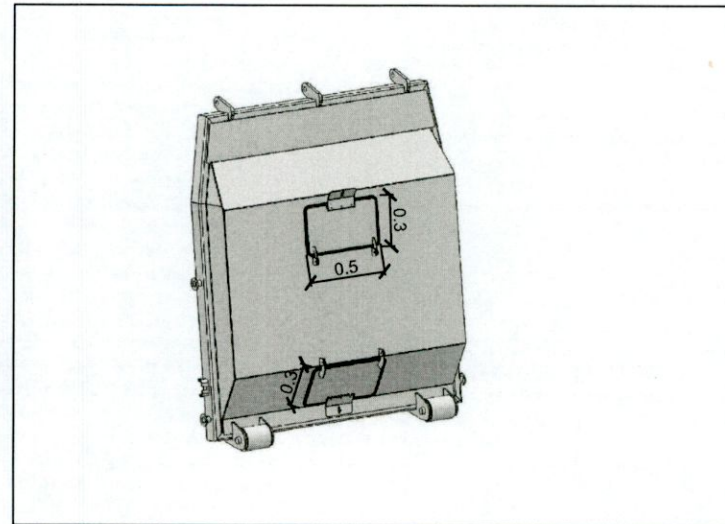
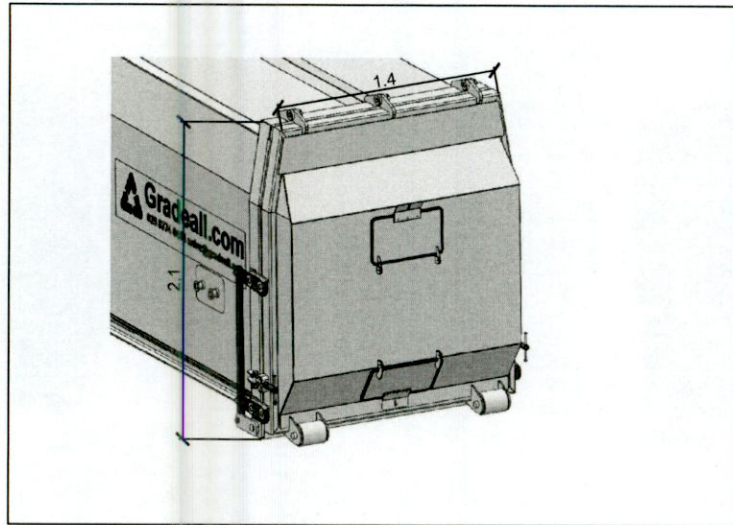
Drawn By:

Ellen Reville

Site Location:  
Supervalu, Firhouse Shopping Centre,  
Ballycullen Avenue,  
Dublin 24, D24 NYT3

BIGbin Waste Tech Ltd.  
Phone: 086 604 7147  
Email: info@bigbin.ie





Food Waste Compartment  
& Division:  
Firhouse Shopping Centre,  
Ballycullen Avenue,  
Dublin 24, D24 NYT3

Sheet 1 of 1

Size A4

Scale 1:50

Date 25/05/2022

The option to dispose of food waste is available for agglomerations > 500 persons. The food waste receptacle is located to the rear of either the unit assigned for general or recycling waste. Both compartments are kept separate as to mitigate contamination. The option to partake in segregation is incentivised by the lower price of €5.00.

Drawn By: E. Reville  
BIGbin Waste Tech