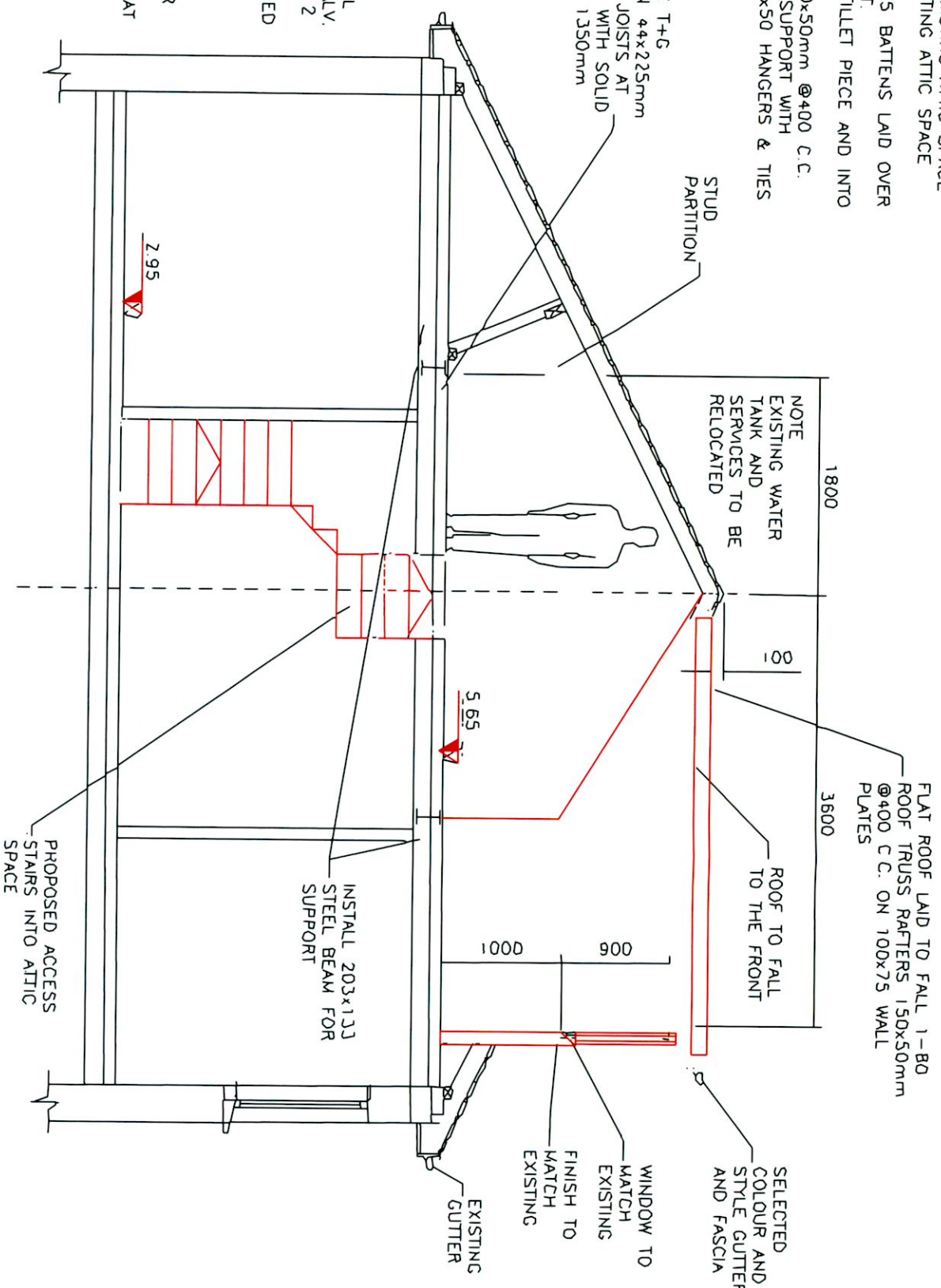
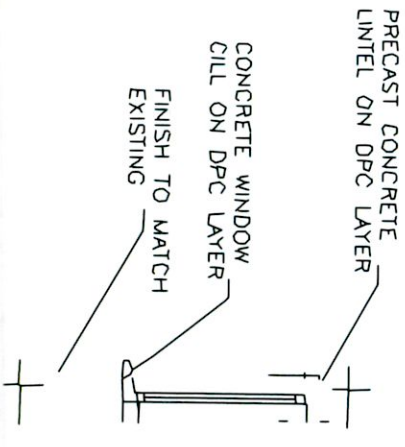


NOTES:
 MODIFY EXISTING ROOF STRUCTURE TO FACILITATE ACCESS INTO EXISTING ATTIC SPACE AND CONVERSION OF EXISTING ATTIC SPACE FOR STORAGE PURPOSES
 ROOF TILES LAID ON 50x25 BATTENS LAID OVER UNTEARABLE ROOFING FELT.
 FELT TO RUN OUT OVER FILET PIECE AND INTO PVC GUTTER
 ROOF TRUSS RAFTERS 150x50mm @400 C.C. ON 100x75 WALL PLATES SUPPORT WITH 175x75 PURLINS AND 150x50 HANGERS & TIES TO COMPLY WITH IS. 193

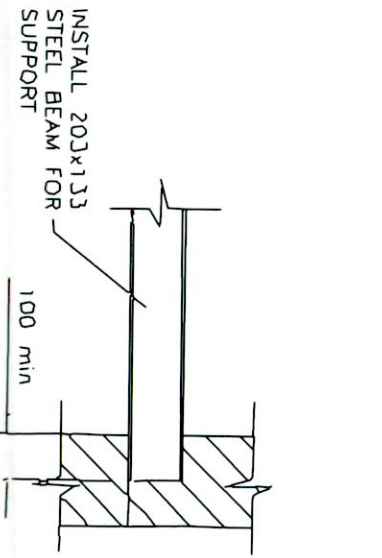
NOTES:
 ALL TIMBERS TO BE SCB AND IN ACCORDANCE WITH SR 11 1991.
 PROVIDE LATERAL SUPPORT TO WALLS WHERE THEY RUN PARALLEL TO JOISTS, BY FIXING 30x60mm GALV. M.S. STRAPS AT 2M CRS ACROSS 2 NO JOISTS
 SOLID NOGGING PIECES TO BE FIXED DIRECTLY UNDER STRAPS DITTO ALONG ROOF SLOPE
 INSULATION BETWEEN RAFTERS TO BUILDING REGULATIONS.
 PROVIDE 50MM UNOBSTRUCTED AIR SPACE BETWEEN INSULATION AND ROOF FELT. PROVIDE VENTILATION AT EAVES TO PROMOTE CROSS VENTILATION 10MM STRIP FULL LENGTH



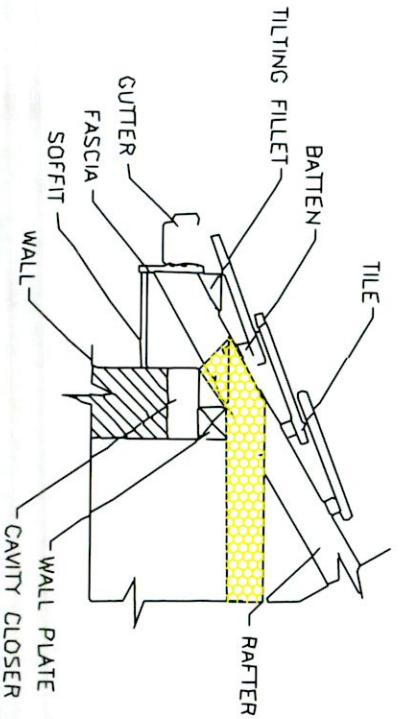
Proposed Section View



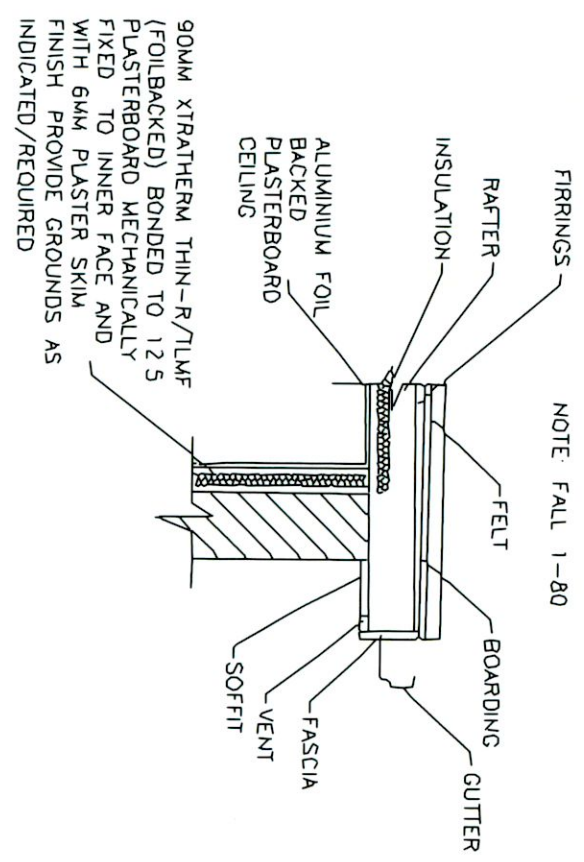
Typical Window Detail



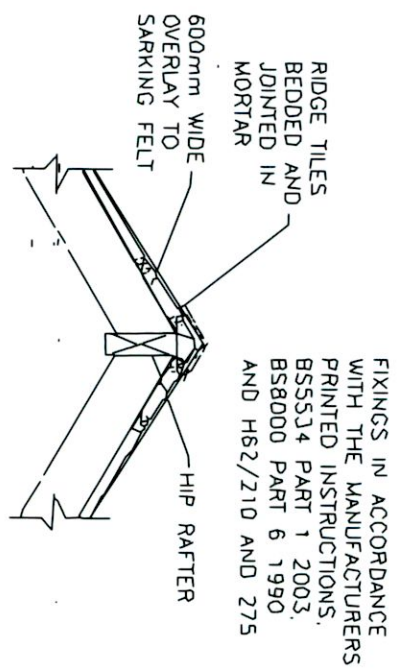
Typical Support Detail



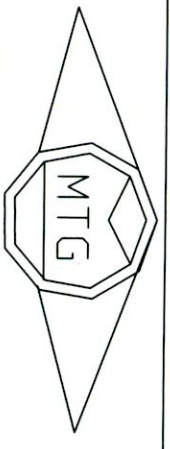
Typical Roof Detail



Typical Flat Roof Detail



1. Mortar 1 : 3 cement/sand pigmented to approved colour
2. Fix 600mm wide underlay, overlapping the main underlay.
3. Fix hip to iron (to BSS534: Part 1: Clause 12) to hip rafter.
4. Cut slates to fit closely at junction.
5. Lay hip ridge tiles true and bed edges and joint firmly in mortar, struck off smoothly to provide a flush finish.
6. Cut first tile to align with corner of eaves.
7. Fill end of hip with mortar and slips of slate finished flush.



No. 2 Finnsparck,
 Finnstown Cloisters,
 Lucan,
 Co. Dublin.

Proposed Section & Details

Drawn	Darren Yourell		
Date	04-04-2022		Natasha & Stephen Shelley
SCALE	1:50 @ A3		DWG:ref FG:01
			REV-04