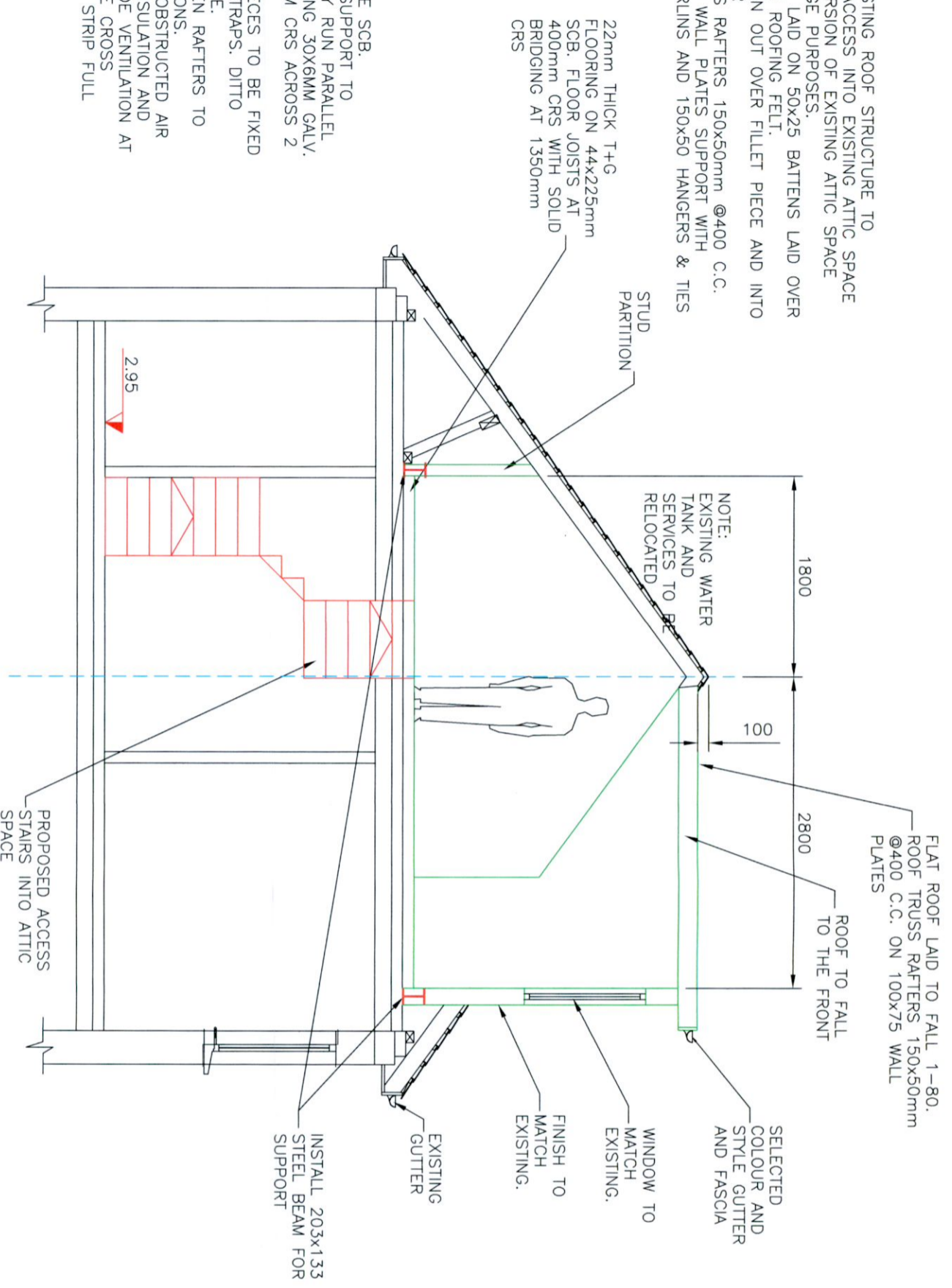
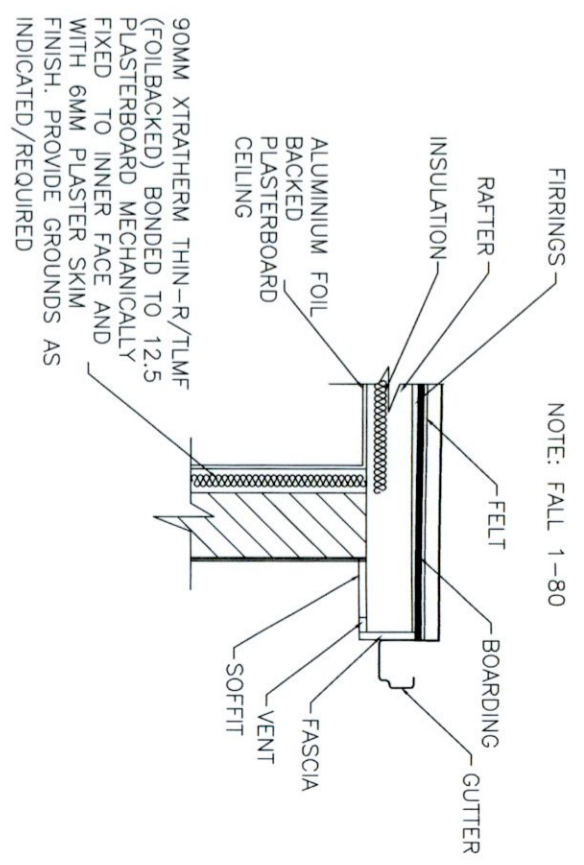


NOTES:
 MODIFY EXISTING ROOF STRUCTURE TO FACILITATE ACCESS INTO EXISTING ATTIC SPACE AND CONVERSION OF EXISTING ATTIC SPACE FOR STORAGE PURPOSES.
 ROOF TILES LAID ON 50x25 BATTENS LAID OVER UNTEARABLE ROOFING FELT.
 FELT TO RUN OUT OVER FILLET PIECE AND INTO PVC GUTTER
 ROOF TRUSS RAFTERS 150x50mm @400 C.C. ON 100x75 WALL PLATES SUPPORT WITH 175x75 PURLINS AND 150x50 HANGERS & TIES

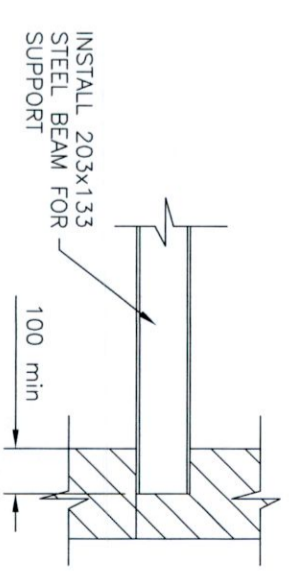
NOTES:
 ALL TIMBERS TO BE SCB.
 PROVIDE LATERAL SUPPORT TO WALLS WHERE THEY RUN PARALLEL TO JOISTS, BY FIXING 30X6MM GALV. M.S. STRAPS AT 2M CRS ACROSS 2 NO. JOISTS.
 SOLID NOGGING PIECES TO BE FIXED DIRECTLY UNDER STRAPS. DITTO ALONG ROOF SLOPE.
 INSULATION BETWEEN RAFTERS TO BUILDING REGULATIONS.
 PROVIDE 50MM UNOBSTRUCTED AIR SPACE BETWEEN INSULATION AND ROOF FELT. PROVIDE VENTILATION AT EAVES TO PROMOTE CROSS VENTILATION 10MM STRIP FULL LENGTH



PROPOSED SECTION VIEW



TYPICAL FLAT ROOF DETAIL



TYPICAL SUPPORT DETAIL



The information contained in this drawing is confidential and must not be divulged to any third party without the written consent of 4bes Design Services.



38 Larkfield Avenue
 Lucan
 Co. Dublin

4 Mount Carmel Park,
 Knocklyon,
 Dublin 24, D24 RH64

PROPOSED SECTIONS AND DETAILS

DRAWN	JOHN FORBES , 38 LARKFIELD AVE. , LUCAN, CO. DUBLIN	Barry McMannus
DATE	June 2022	
SCALE	1:50 @ A3	