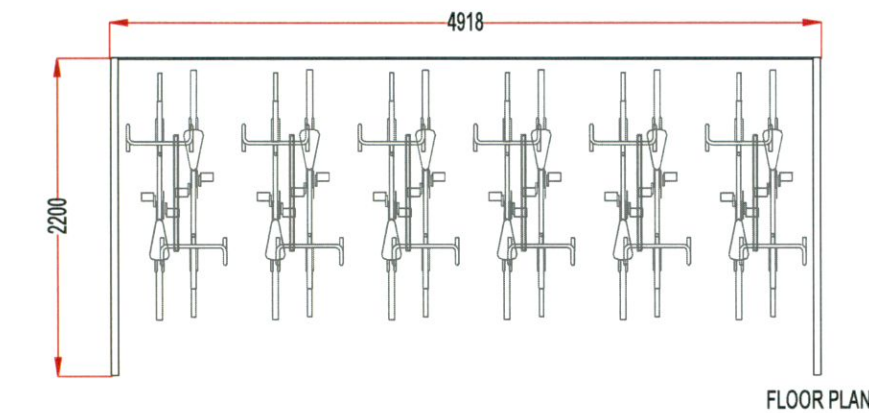
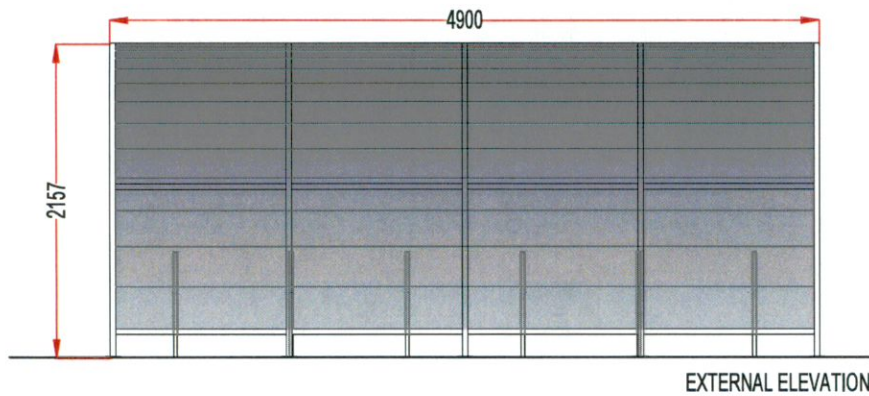
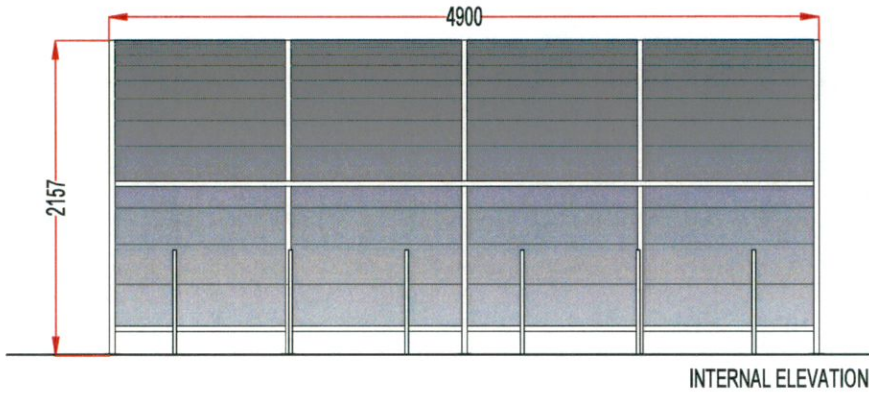
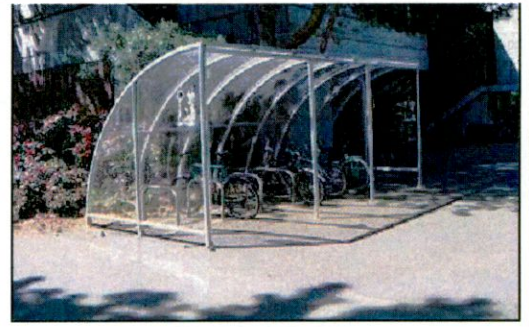
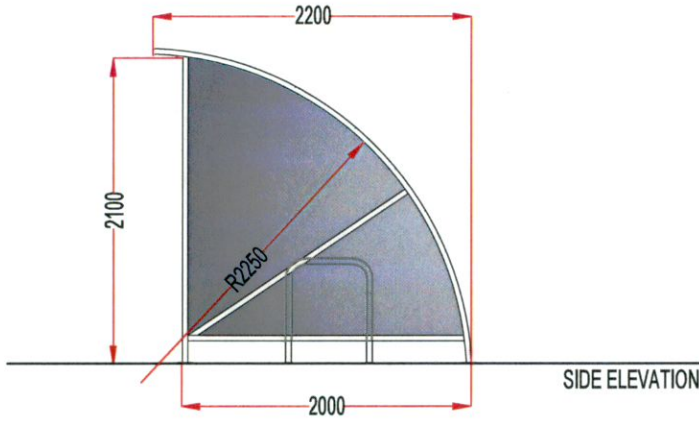


A4



<p>Job Title WAREHOUSE DEVELOPMENT AT KINGSWOOD ROAD, CITYWEST BUSINESS PARK, DUBLIN 24, Co. DUBLIN</p>	<p>Drawing Title COVERED BIKE PARKING</p>	<p>Drawn GS</p> <p>Checked PK</p> <p>Approved PK</p> <p>Scales 1:50 @A4</p> <p>Date FEB 2022</p> <p>KAVANAGH BURKE CONSULTING ENGINEERS</p> <p>Tel. 01 - 450 0694 Unit F3, Calmount Park, Fax. 01 - 426 4340 Ballymount, Emailpkavanagh@kavanaghburke.ie Dublin 12</p>
<p>Architect/Client ROCKFACE DEVELOPMENTS LTD.</p>	<p>Drawing Status PLANNING</p>	<p>Job No. D1736</p> <p>Drawing No. GA-A08</p> <p>Rev. PL1</p>