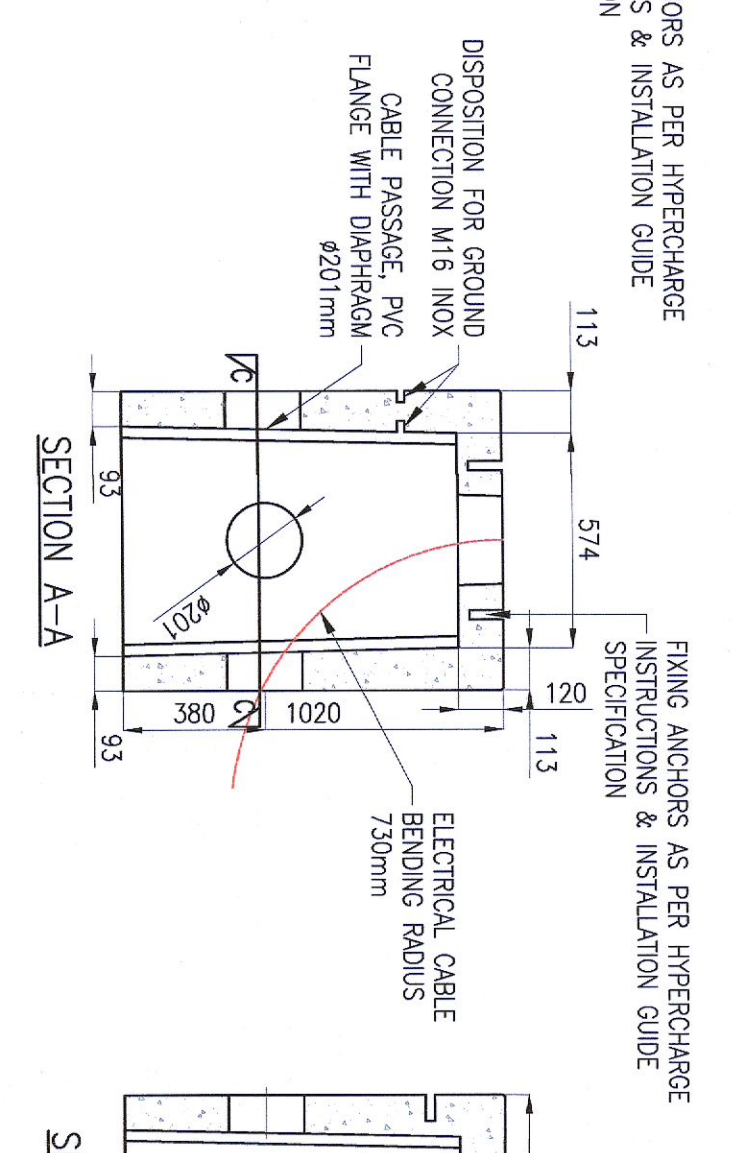
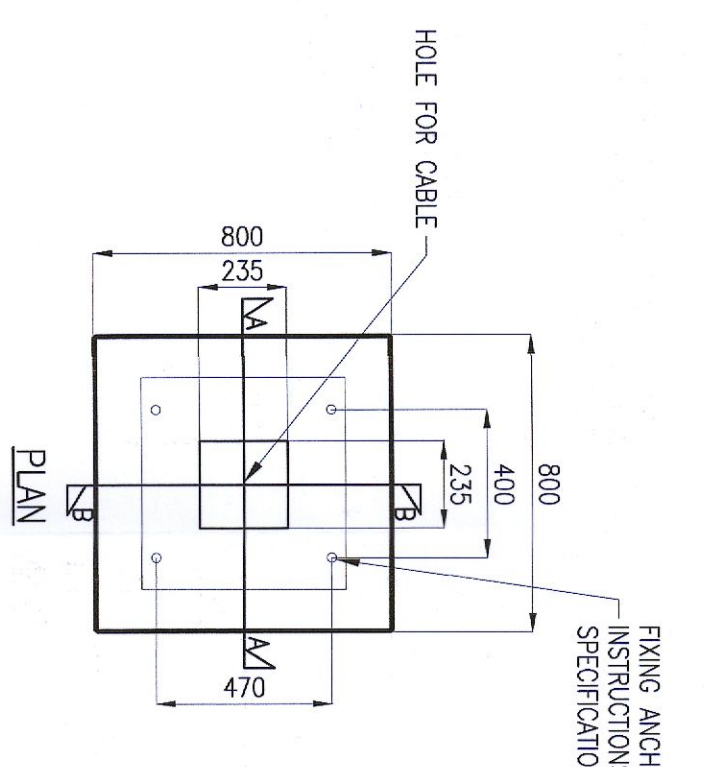
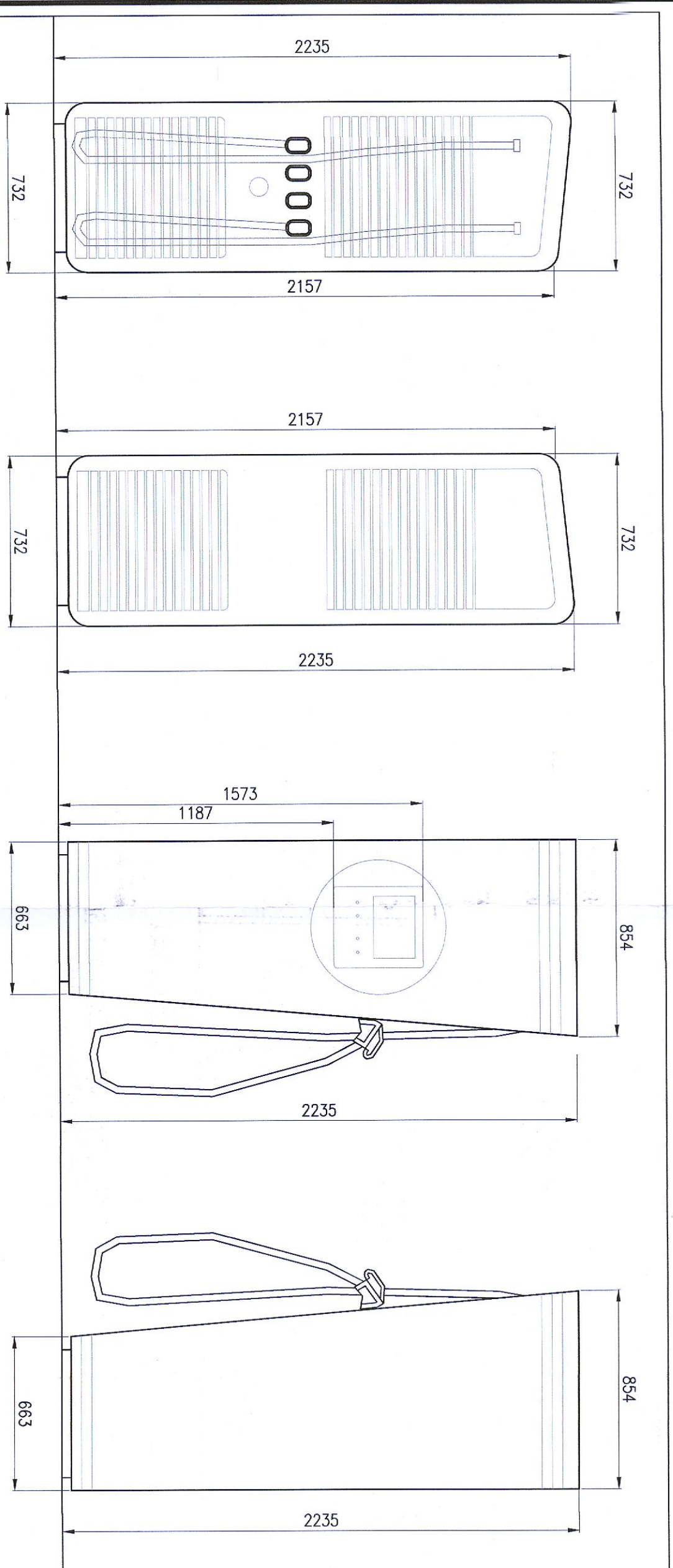
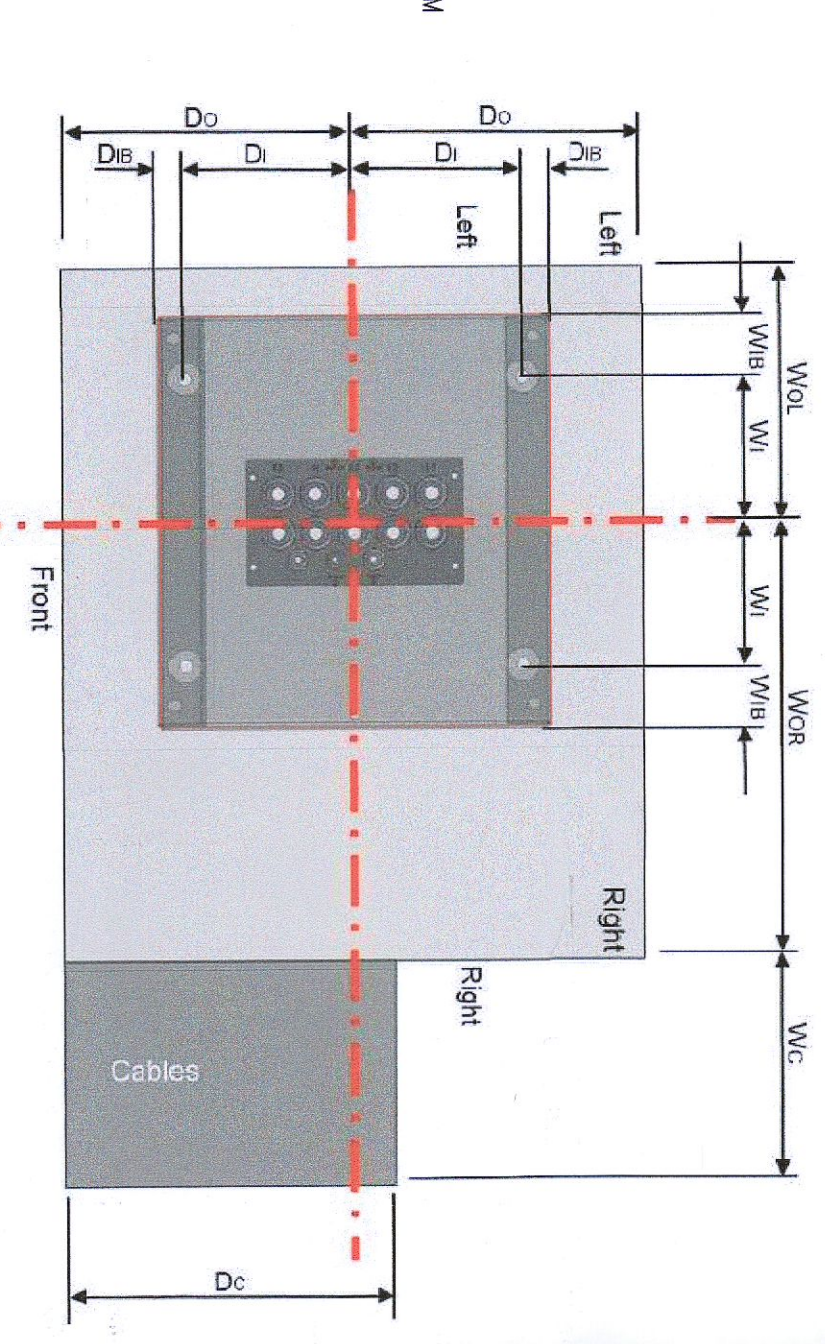
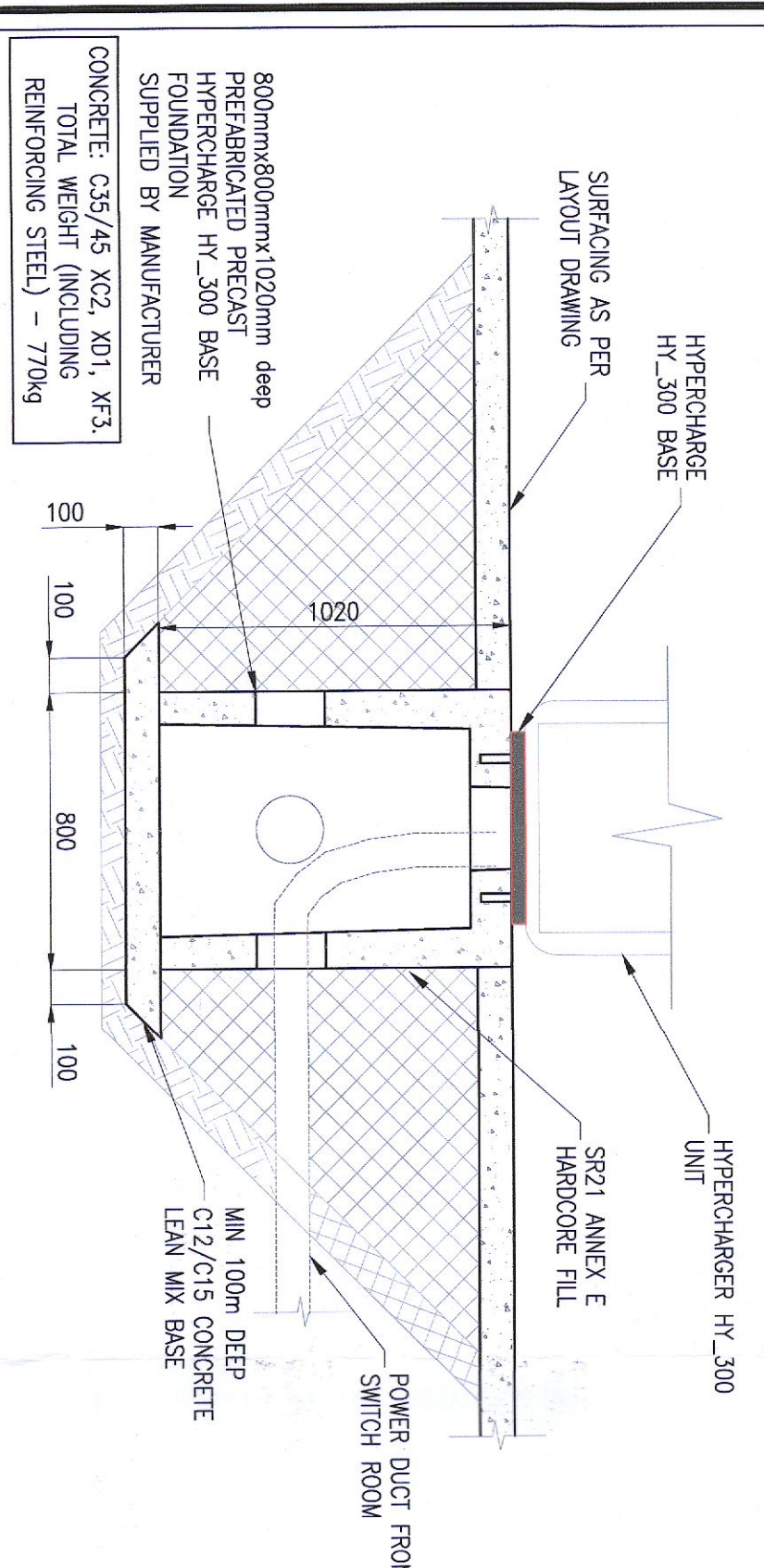


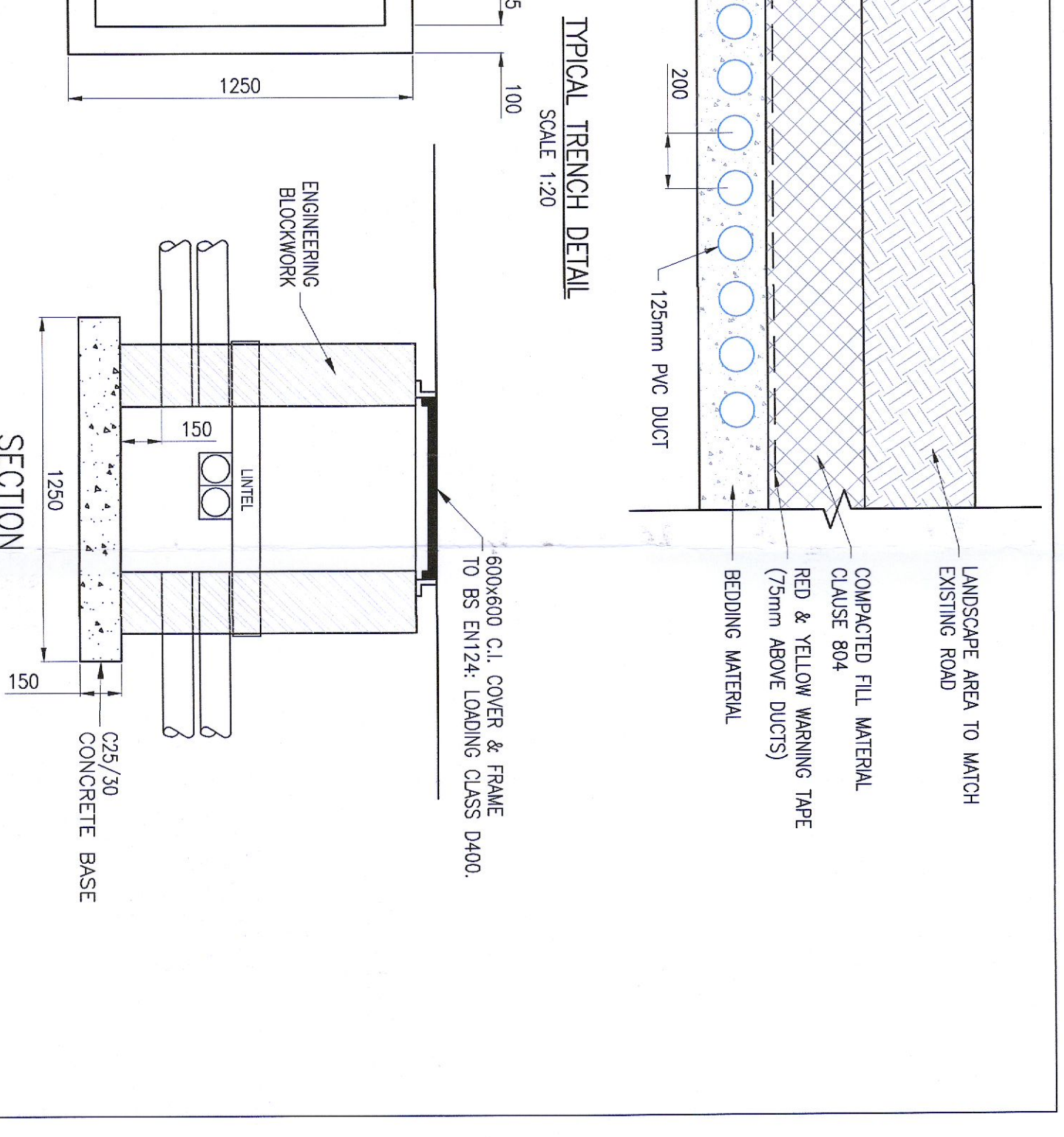
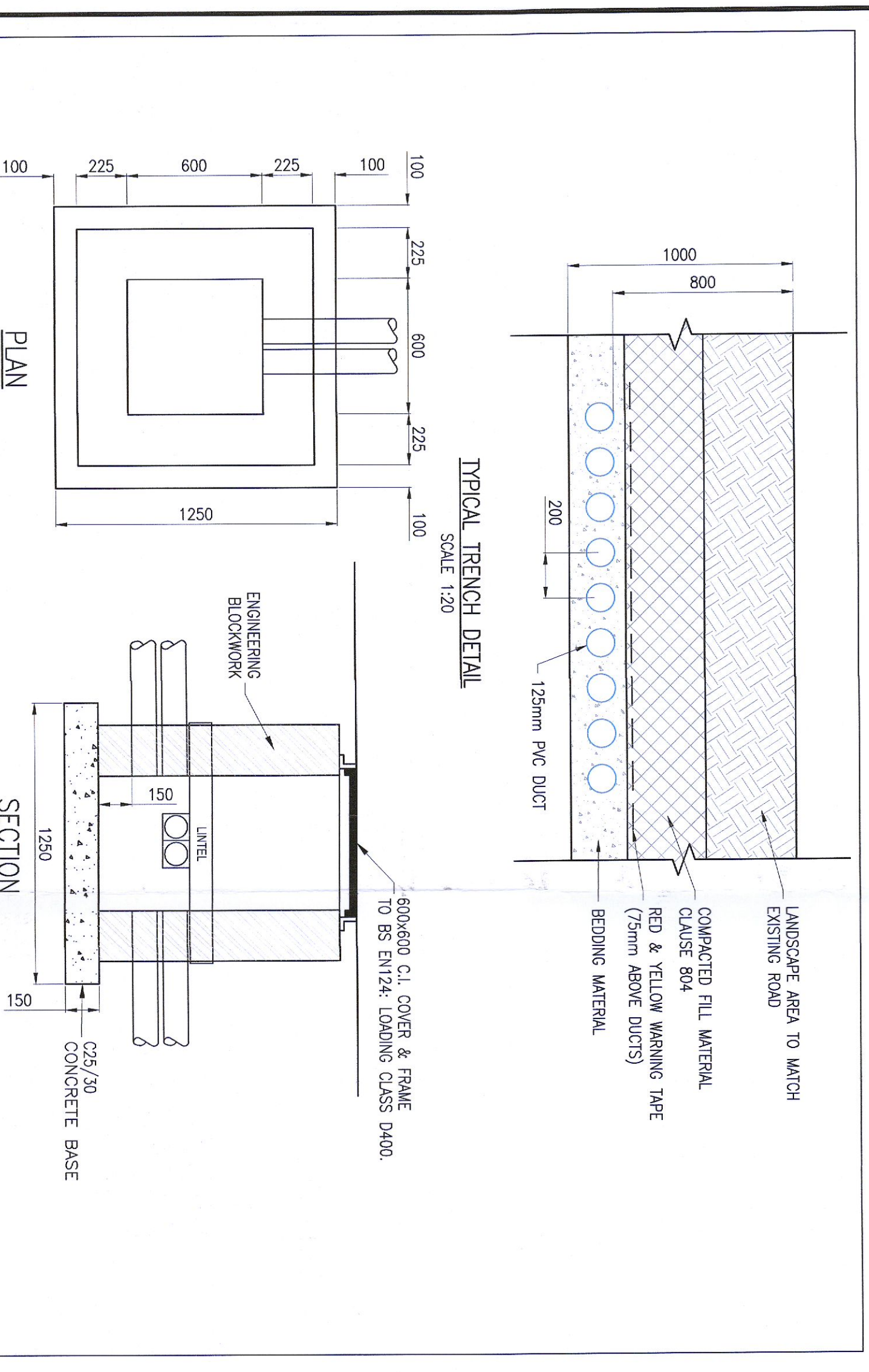
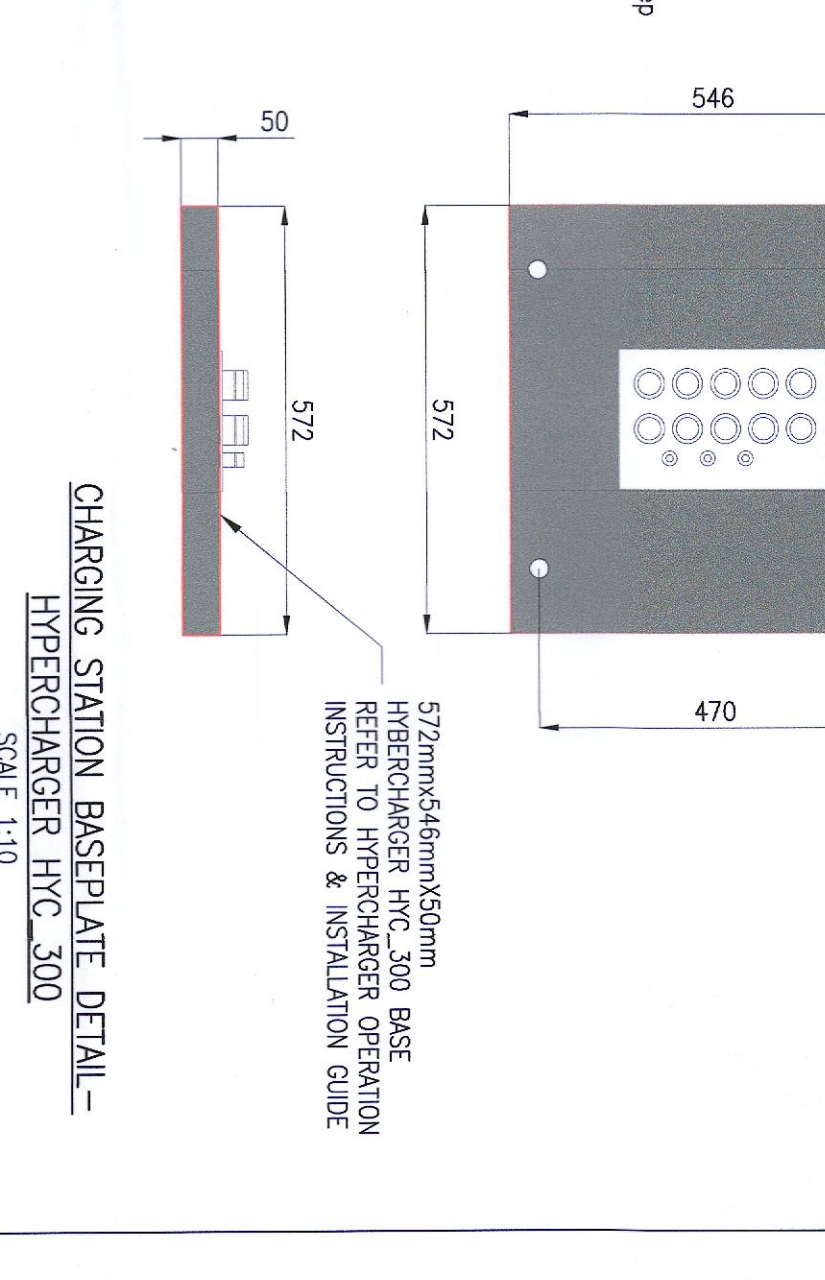
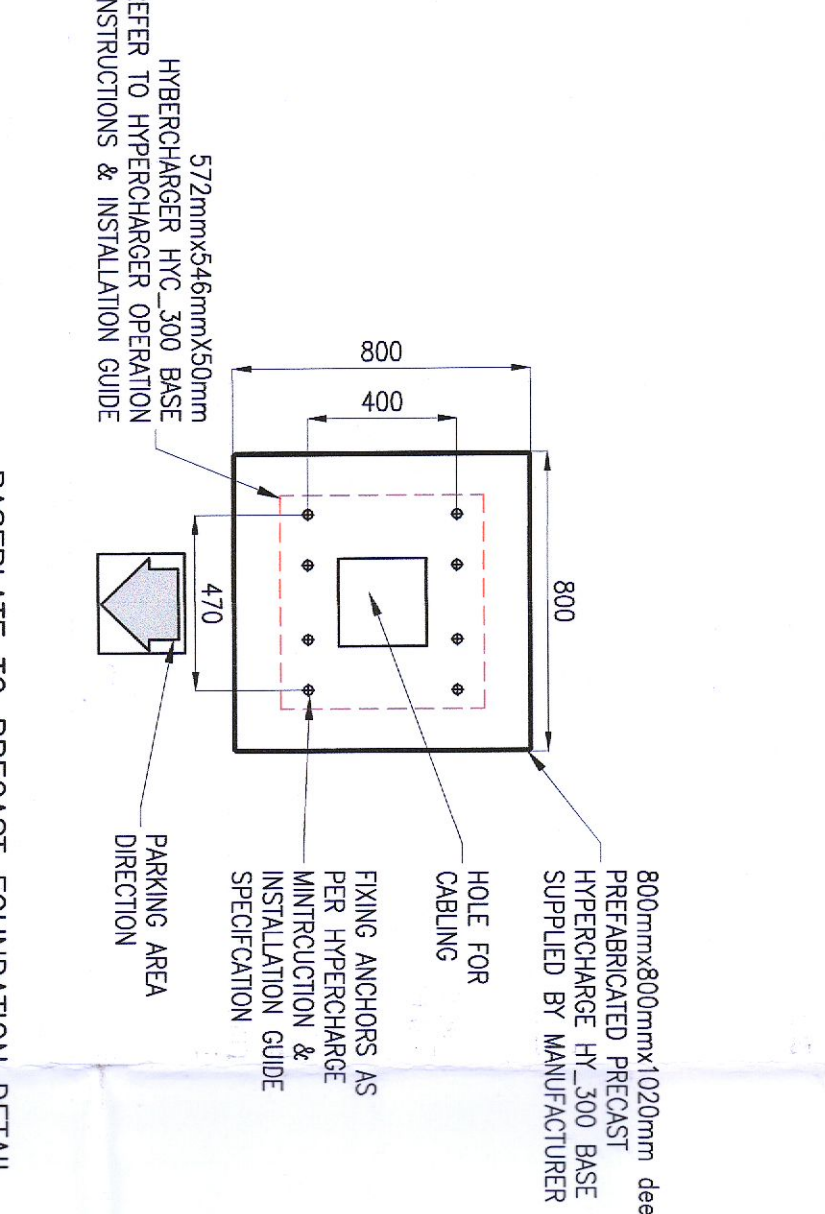
NOTES:
 1. DRAWING IS FOR INFORMATION ONLY. IT IS NOT TO BE USED WITHOUT THE WRITTEN PERMISSION OF MCALEER DOYLE LTD.
 ALL WORKS TO COMPLY WITH THE CURRENT BUILDING REGULATIONS.
 DO NOT SCALE.



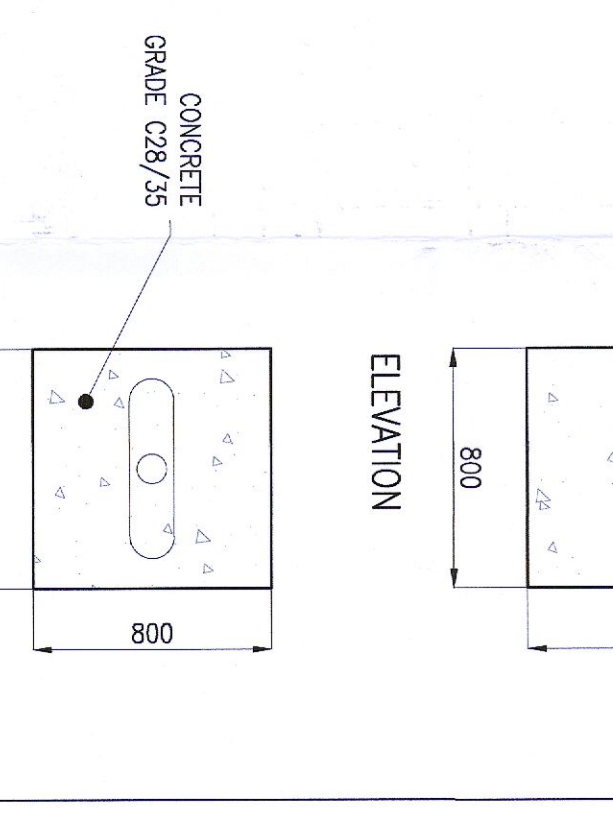
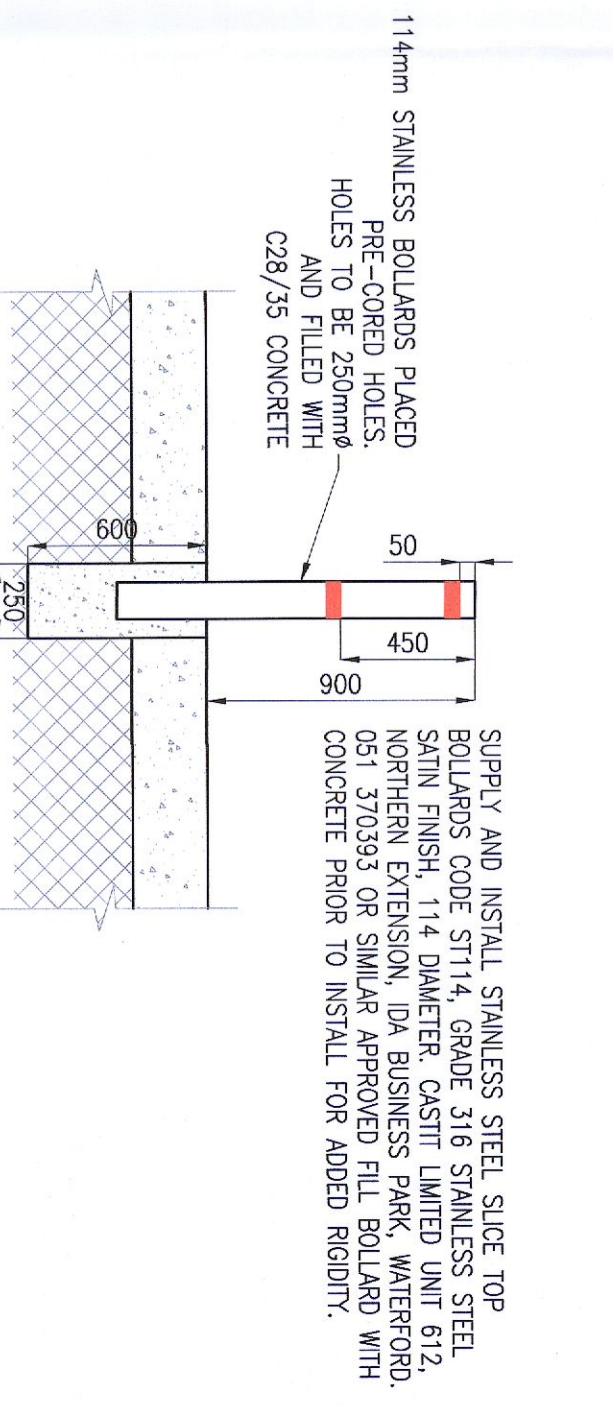
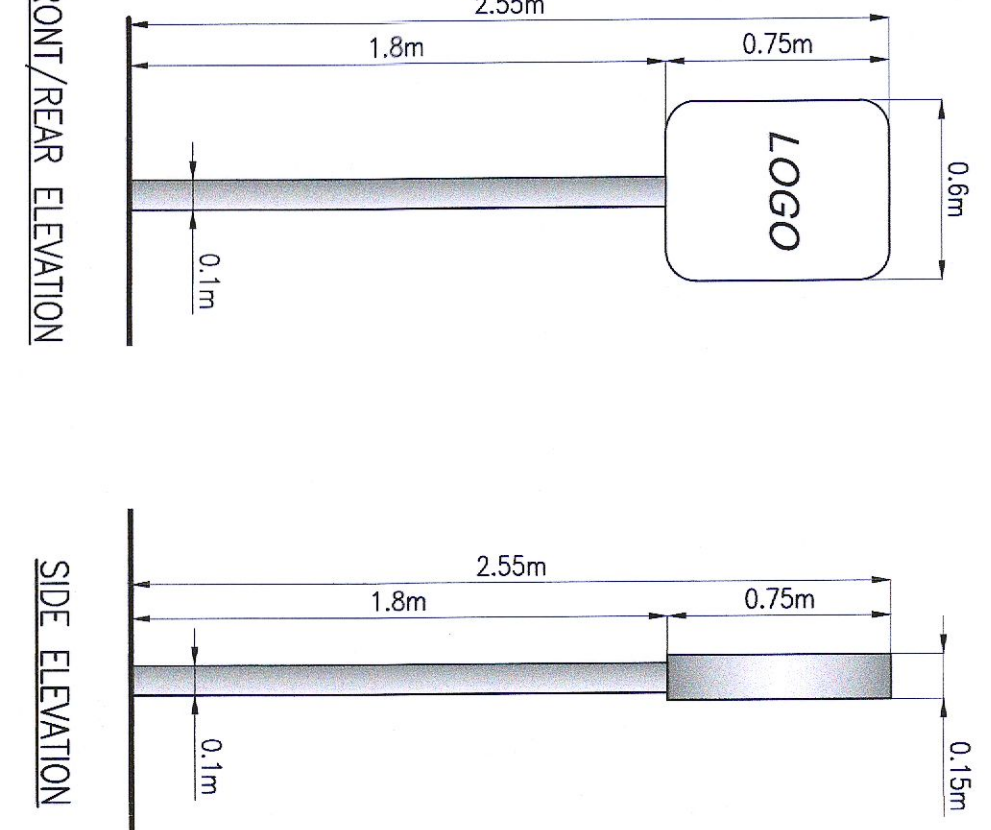
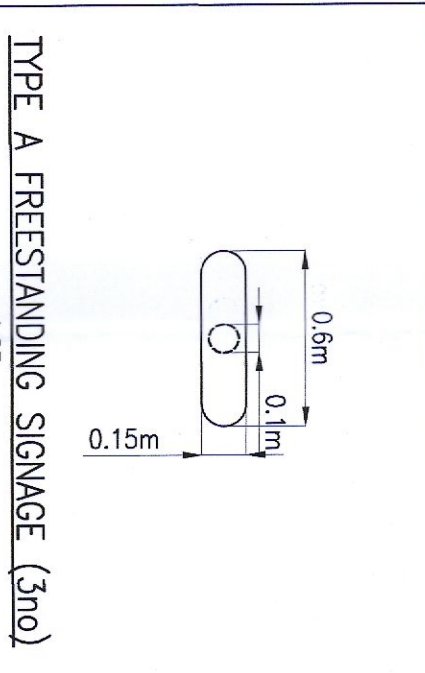
NOTE:
 REFER TO HYPERCHARGER OPERATION INSTRUCTIONS & INSTALLATION GUIDE - HARDWARE DOCUMENT FOR ALL INSTALLATION DETAILS & SPECIFICATIONS.



DISTANCE	HVC_300
DC	420 mm
DI	235 mm
DI/B	38 mm (± 3 mm)
DC	366 mm (± 3 mm)
WC	300 mm
WI	200 mm
WB	86 mm (± 3 mm)
WOL	357 mm (± 3 mm)
WOR	516 mm (± 3 mm)



1. 600x600mm DUCT CHAMBERS TO BE USED AT LOCATION OF BUILDING CONNECTION POINTS.
2. DUCT LINES CONNECTING BUILDINGS TO MAINS SHOULD INCLUDE 2 No. 32mm DUCTS INSIDE.
3. DUCT CHAMBER COVERS SHOULD NOT DISPLAY UTILITY NAME OR LOGO.



Rev.	Description	By	Date
1	ISSUED FOR PLANNING	GF	16.06.22

McArdle Doyle
 Chartered Engineers
 Architectural Services
 & Project Managers

mail@mcdoyle.com
 435310 42 542 5032

Second Floor
 Exchange Building
 The Long Walk
 Dundalk, Co. Dubh

CIRCLE K

CLIENT: CIRCLE K SERVICE STATION - CITYWEST ROAD, DUBLIN

DRAWING TITLE: EV CHARGER & MISCELLANEOUS DETAILS

Date	Drawn	Checked	Approved
16/06/22	GF	RMA	RMA

Scale at A1: P2214.02.C07

AS SHOWN