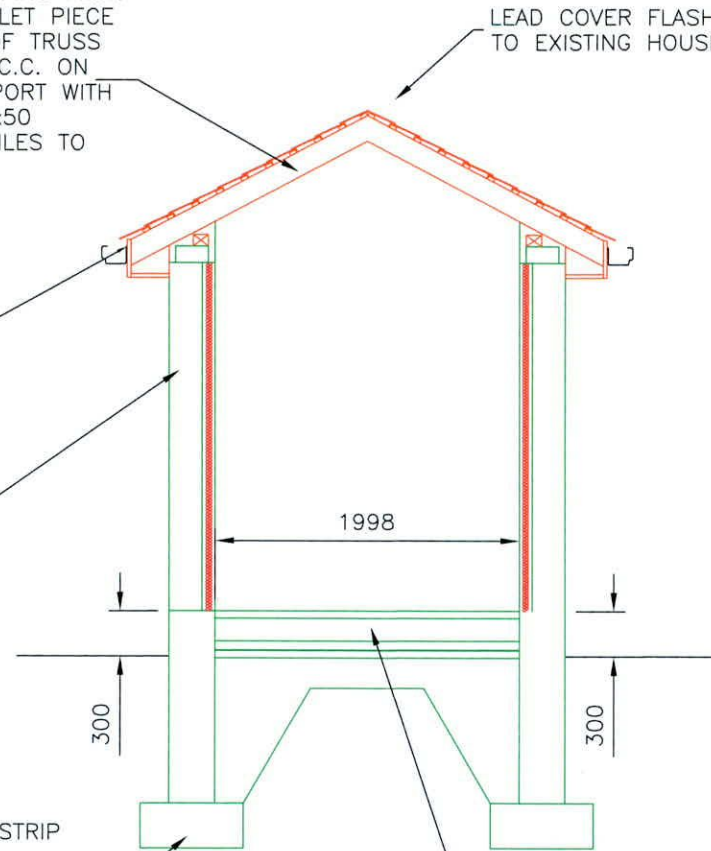


ROOF TILES LAID ON 50x25 BATTENS LAID OVER UNTEARABLE ROOFING FELT. FELT TO RUN OUT OVER FILLET PIECE AND INTO PVC GUTTER. ROOF TRUSS RAFTERS 150x50mm @400 C.C. ON 100x75 WALL PLATES SUPPORT WITH 175x75 PURLINS AND 150x50 HANGERS AND TIES. ROOF TILES TO MATCH EXISTING HOUSE

LEAD COVER FLASHING TO EXISTING HOUSE

UPVC GUTTER AND FASCIA

255 HOLLOW CONCRETE BLOCK FINISHED AS PER EXISTING HOUSE. PLASTER, GYPSUM DRY LINED INTERIOR



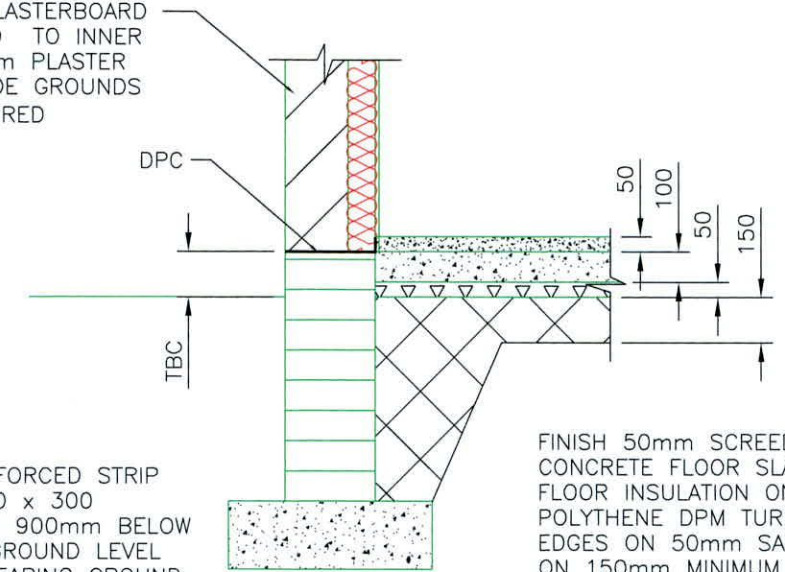
CONCRETE REINFORCED STRIP FOUNDATION 675 x 225 MINIMUM. DEPTH 900mm BELOW SURROUNDING GROUND LEVEL. OR TO SOLID BEARING GROUND. (BASED ON SOLID FIRM SOIL CONDITIONS)

FLOOR: FINISH 50mm SCREED ON 100mm CONCRETE FLOOR SLAB ON 50mm FLOOR INSULATION ON 1000 GAUGE POLYTHENE DPM TURNED UP AT EDGES ON 50mm SAND BLINDING ON 150mm MINIMUM CONSOLIDATED HARDCORE DPC MINIMUM 150mm ABOVE GROUND LEVEL SOLID BLOCKWORK BELOW DPC

NOTES:
ALL TIMBERS TO BE SCB. PROVIDE LATERAL SUPPORT TO WALLS WHERE THEY RUN PARALLEL TO JOISTS, BY FIXING 30x6mm GALV. M.S. STRAPS AT 2m CRS ACROSS 2 No JOISTS. SOLID NOGGING PIECES TO BE FIXED DIRECTLY UNDER STRAPS DITTO ALONG ROOF SLOPE. INSULATION BETWEEN RAFTERS TO BUILDING REGULATIONS PROVIDE 50mm UNOBSTRUCTED AIR SPACE BETWEEN INSULATION AND ROOF FELT PROVIDE VENTILATION AT EAVES TO PROMOTE CROSS VENTILATION 10mm STRIP FULL LENGTH

PROPOSED SECTION VIEW - PORCH

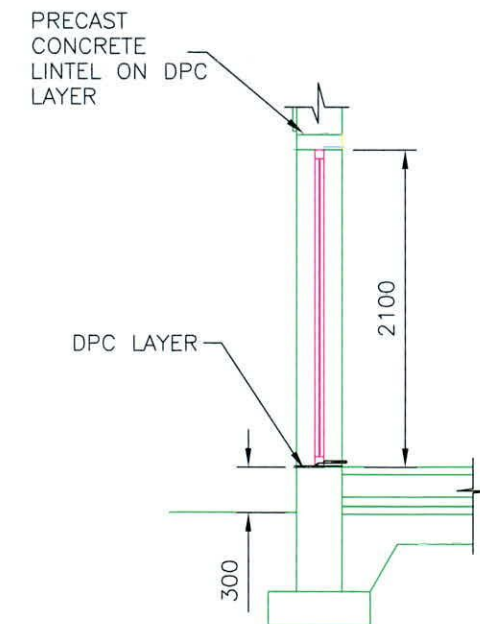
255 HOLLOW CONCRETE BLOCK FINISHED AS PER EXISTING HOUSE. 90mm XTRATHERM THIN-R/TLMF (FOILBACKED) BONDED TO 12.5 PLASTERBOARD MECHANICALLY FIXED TO INNER FACE AND WITH 6mm PLASTER SKIM FINISH. PROVIDE GROUNDS AS INDICATED/REQUIRED



CONCRETE REINFORCED STRIP FOUNDATION 900 x 300 MINIMUM. DEPTH 900mm BELOW SURROUNDING GROUND LEVEL OR TO SOLID BEARING GROUND. (BASED ON SOLID FIRM SOIL CONDITIONS)

FINISH 50mm SCREED ON 100mm CONCRETE FLOOR SLAB ON 50mm FLOOR INSULATION ON 1000 GAUGE POLYTHENE DPM TURNED UP AT EDGES ON 50mm SAND BLINDING ON 150mm MINIMUM CONSOLIDATED HARDCORE DPC MINIMUM 150mm ABOVE GROUND LEVEL SOLID BLOCKWORK BELOW DPC

TYPICAL FOUNDATION DETAIL



TYPICAL EXTERNAL DOOR DETAIL

