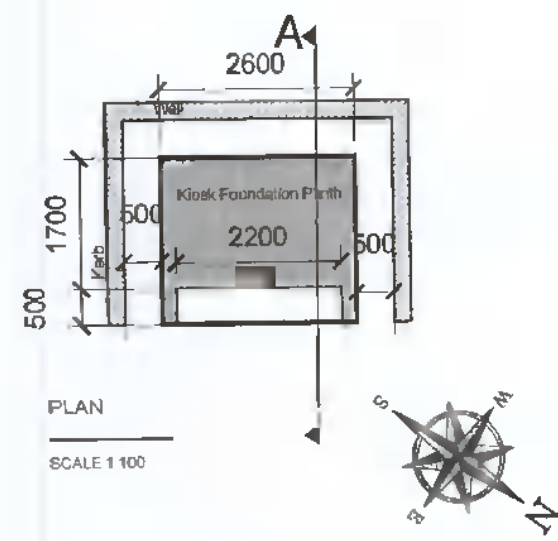
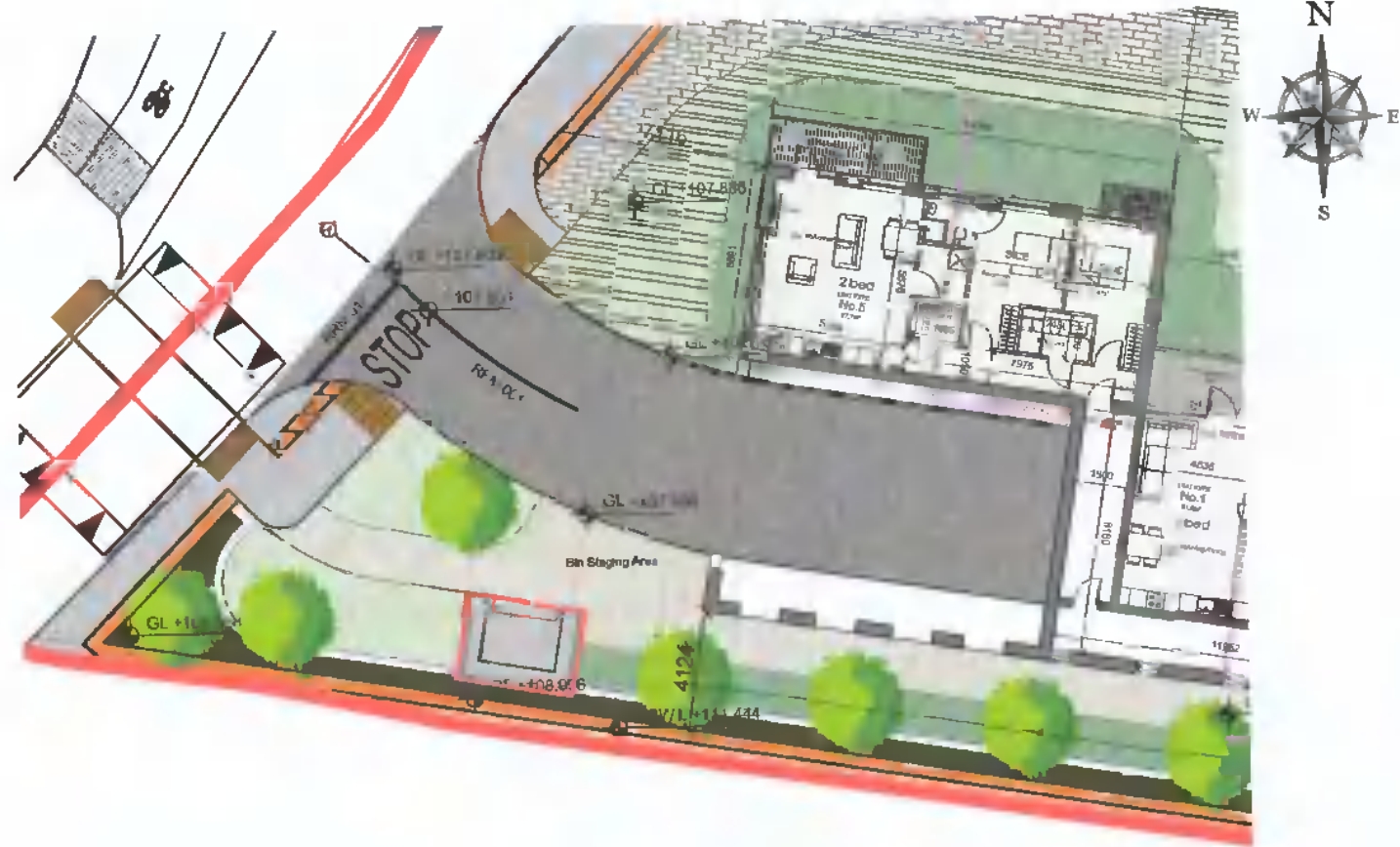


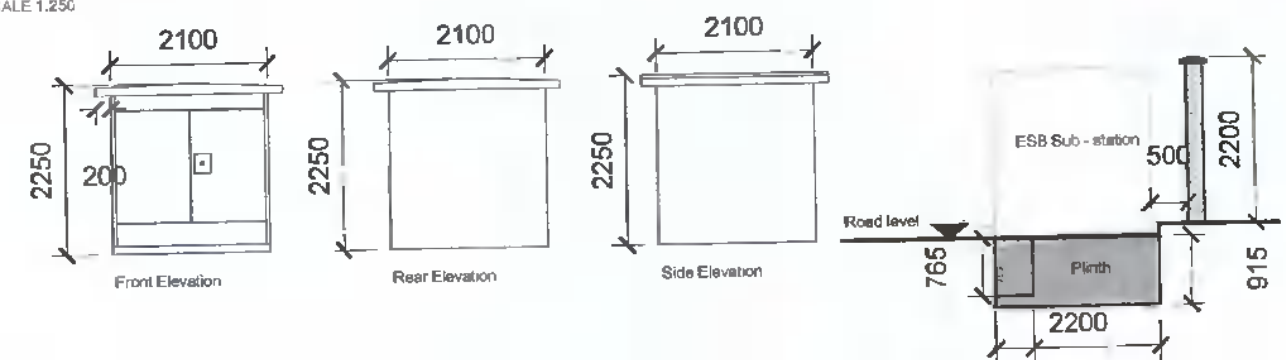
GENERAL NOTES
 ** Do not scale from this drawing
 - Use figured dimensions only
 © This drawing is copyright. No part of this drawing or any information contained therein may be reproduced or transmitted in any form or by any means, electronic or mechanical, including photocopying, recording, or by any information storage and retrieval system, without the prior written permission of the copyright holder. All rights reserved. This drawing is intended for use on a project, for which the document was originally issued.



ESB AREA - 5.70 m²

ESB SUB STATION LOCATION

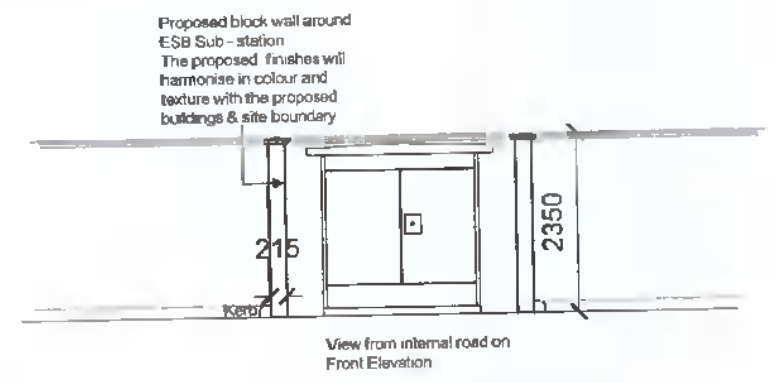
SCALE 1:250



SECTION A-A 500
 SCALE 1 100

ESB SUB STATION KIOSK

SCALE 1 100



ESB SUB STATION NORTH ELEVATION TO DRIVEWAY

SCALE 1 100



INDICATIVE EXAMPLE OF ESB SUB STATION

Rev	Initial	Date	Revision Description

DCWNEY		29 Merrion Square, D02 ZFV4 +353 (0) 1 253 0230 info@dcwney.ie	
CLIENT	MSJA Ltd	SCALE @ A1	A3
PROJECT	DEVELOPMENT AT PROSPECT HOUSE	SCALE @ A3	1:100
DWG TITLE	ESB SUBSTATION	DRAWN BY	RJ
		CHECKED BY	RK
		DATE	20.02.22
		REV. NO.	01-008