

NOTE:
THIS DRAWING TO BE READ IN CONJUNCTION WITH IRISH WATER INFRASTRUCTURE STANDARD DETAILS, DOCUMENT NUMBER: IW-CDS-5020-01, AUGUST 2016. THIS INCLUDES FOR ALL RELEVANT NOTES PERTAINING TO EACH OF THE DETAILS AS INCLUDED.

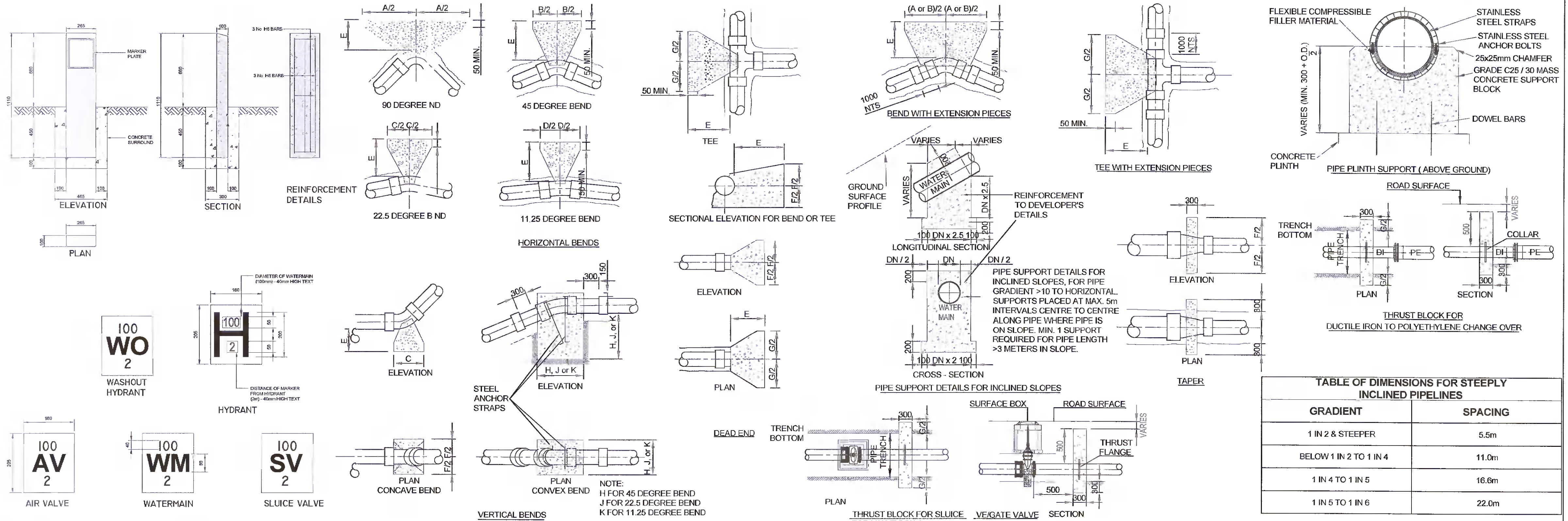


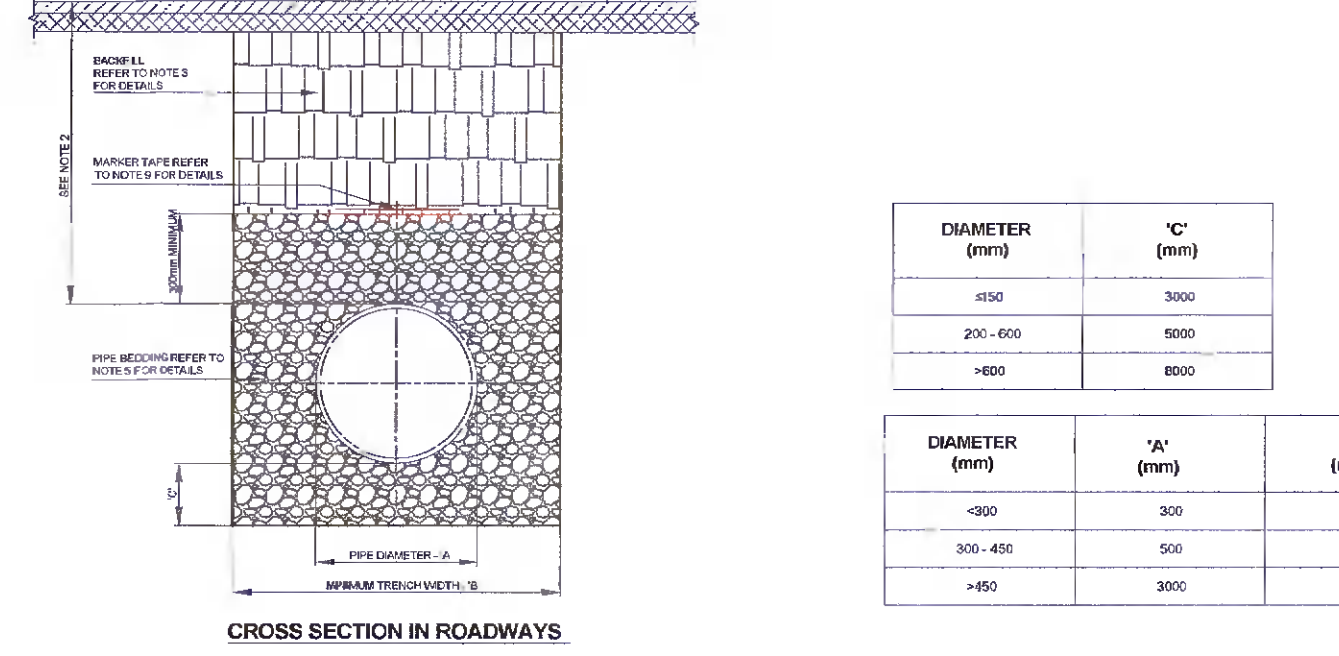
TABLE OF DIMENSIONS FOR STEEPLY INCLINED PIPELINES

GRADIENT	SPACING
1 IN 2 & STEEPER	5.5m
BELOW 1 IN 2 TO 1 IN 4	11.0m
1 IN 4 TO 1 IN 5	16.6m
1 IN 5 TO 1 IN 6	22.0m

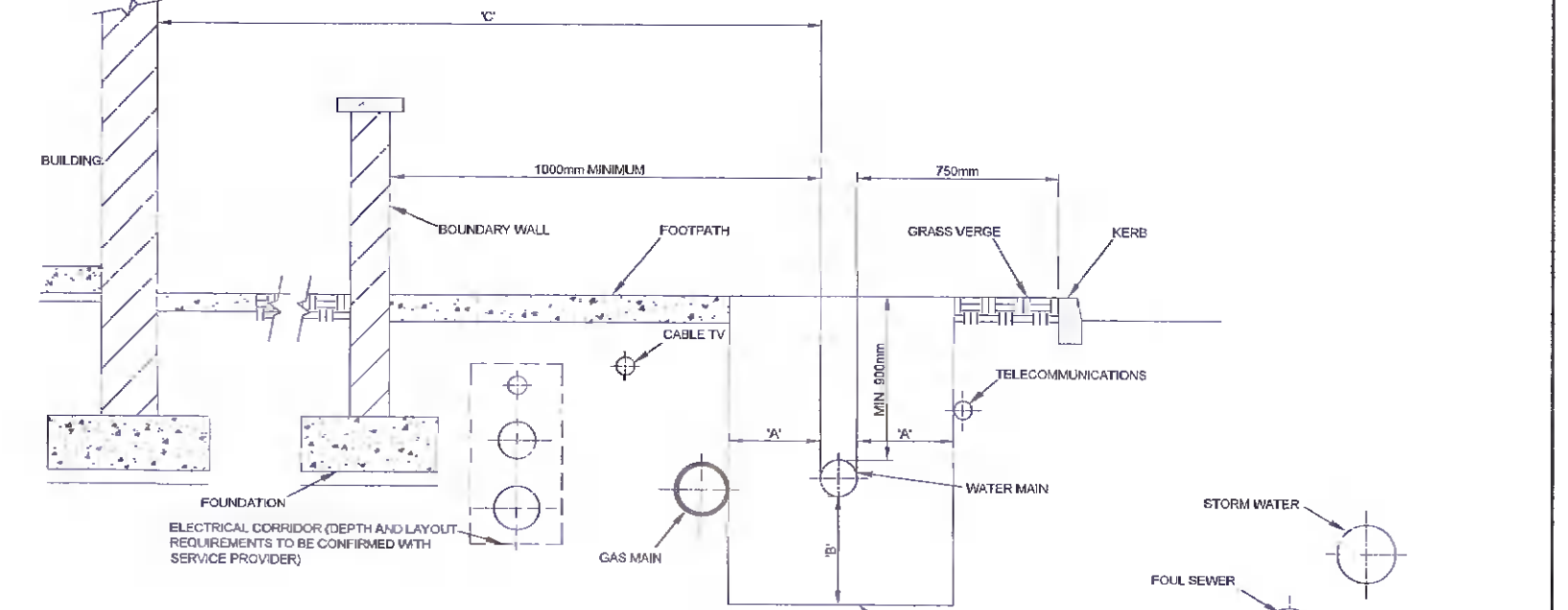


MARKER POSTS / PLATES
DRAWING No. STD-W-27

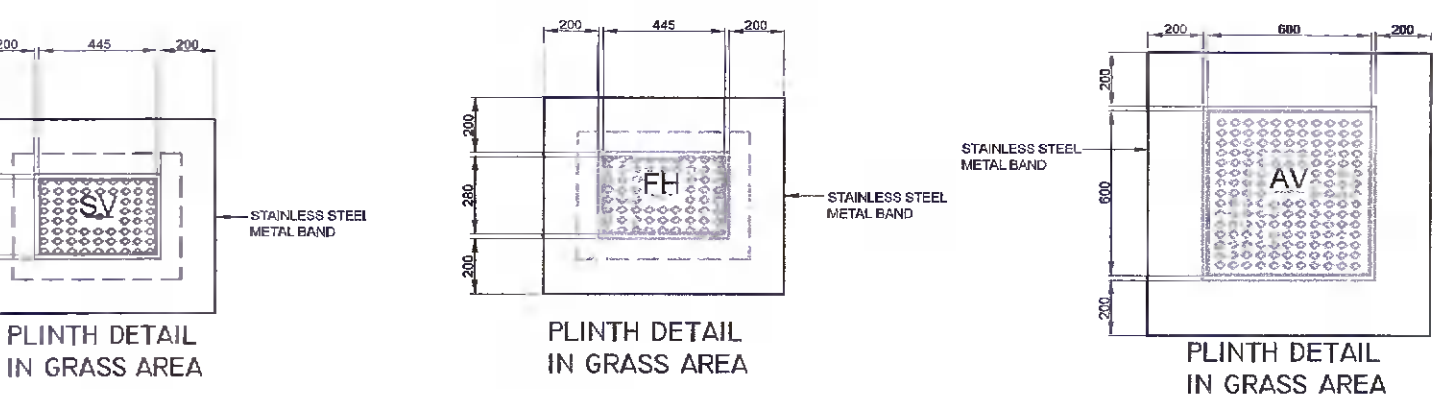
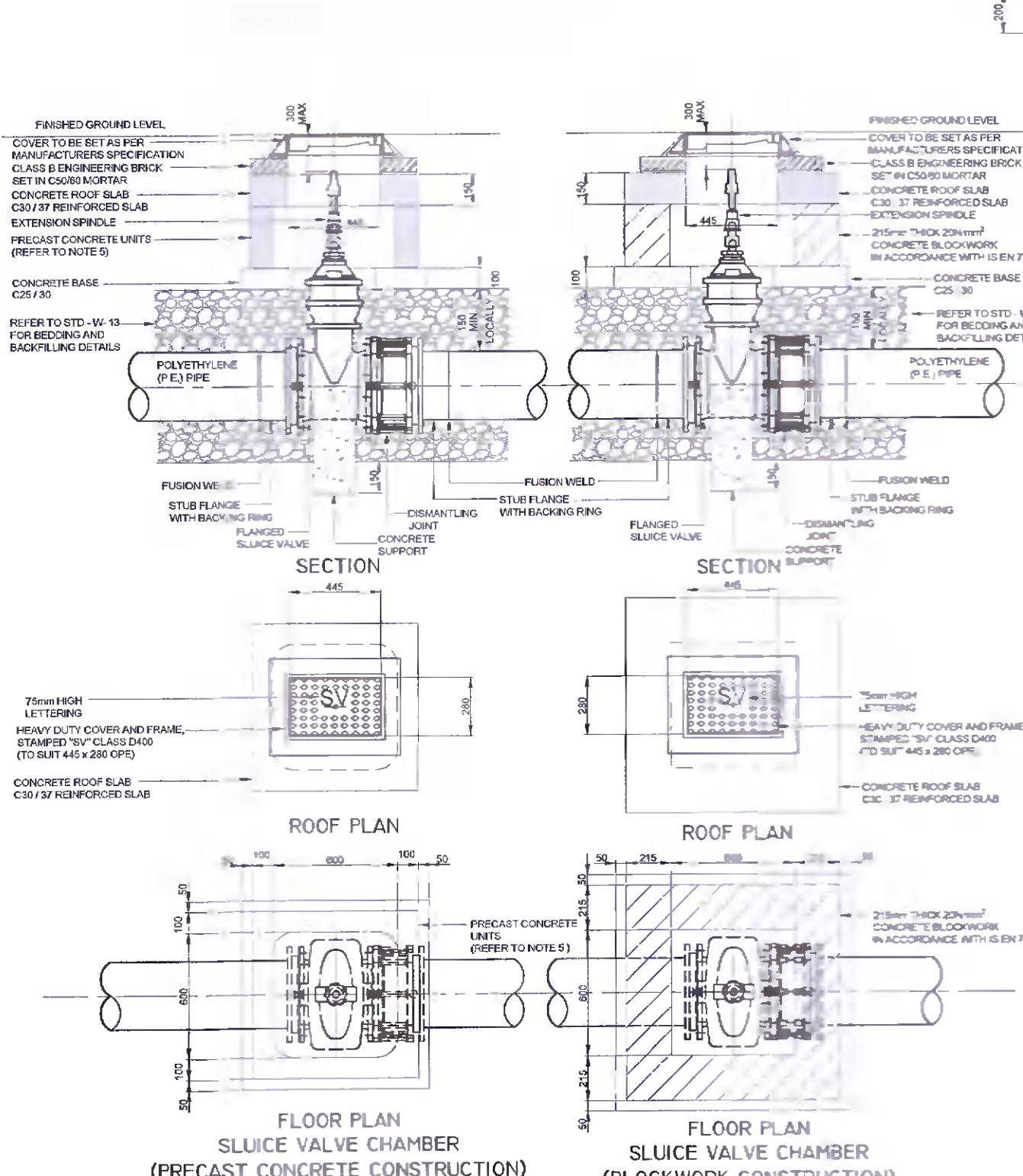
WATER MAIN THRUST AND SUPPORT BLOCKS
DRAWING No. STD-W-28



TYPICAL SERVICE LAYOUT
INDICATING SEPARATION DISTANCES
DRAWING No. STD-W-11



CUSTOMER CONNECTION AND BOUNDARY BOX
(25mm OD PIPE)
DRAWING No. STD-W-03

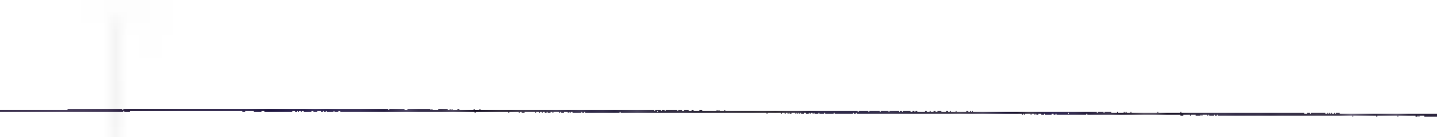


TRENCH BACKFILL AND BEDDING
DRAWING No. STD-W-13

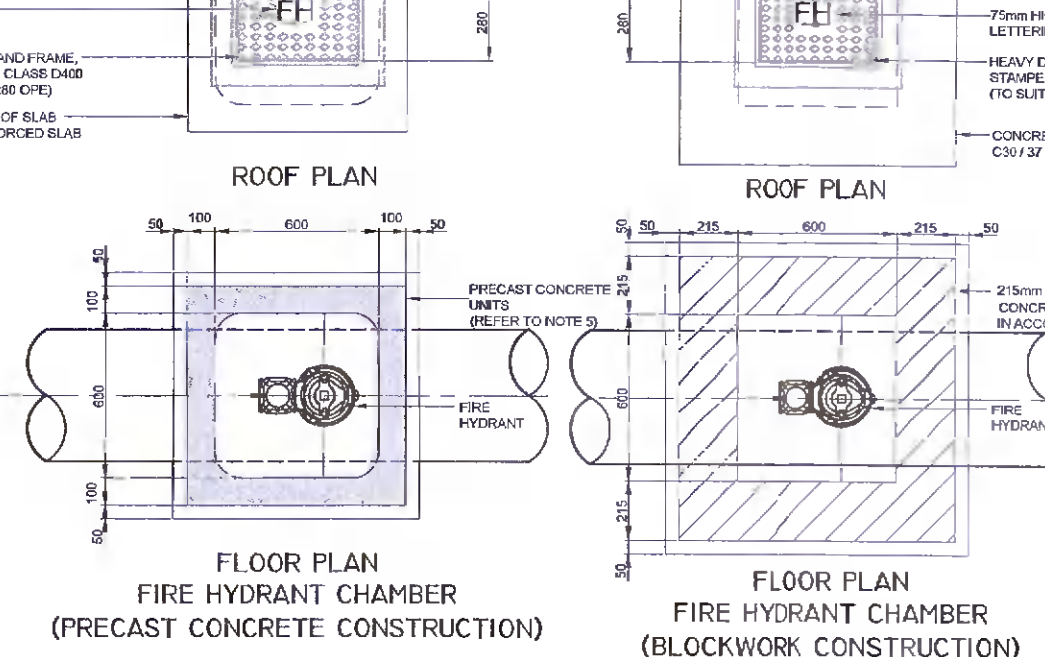
PIPE DIAMETER 'A' (mm)	TRENCH WIDTH 'B' (mm)
≤ 80	SEE NOTE 10
100	500
150	600
200	600
250	750
300	750
350	750
400	900
450	900

PIPE DIAMETER 'A' (mm)	DEPTH OF BEDDING 'C' (mm)
< 200	150
≥ 250	200

ON - LINE AIR VALVE
FOR POLYETHYLENE (P.E.) PIPE
DRAWING No. STD-W-22



ON - LINE HYDRANT
FOR POLYETHYLENE (P.E.) PIPE
DRAWING No. STD-W-18



SLUICE VALVE
FOR POLYETHYLENE (P.E.) PIPE (< 350mm DIA.)
DRAWING No. STD-W-15



REV	DESCRIPTION	BY	CHK	DATE

CLIENT: CAPAMI LTD

PROJECT: OLD COURT OCIL 4
DRAWING TITLE: WATER DETAILS

PINNACLE CONSULTING ENGINEERS

GROSVENOR COURT,
67A PATRICK STREET,
DUN LAOGHAIRE,
COUNTY DUBLIN
IRELAND. TELEPHONE: +353 1231 1041
WELWYN GARDEN CITY | NORWICH | LONDON | THE HAGUE

DRAWING STATUS: IRISH WATER SUBMISSION
SCALE: @ A1 DATE: JAN '22 DRAWN BY: FJVR CHECKED BY: SO'R
DRG NO.: P190302-205 REVISION: -
COPYRIGHT PINNACLE