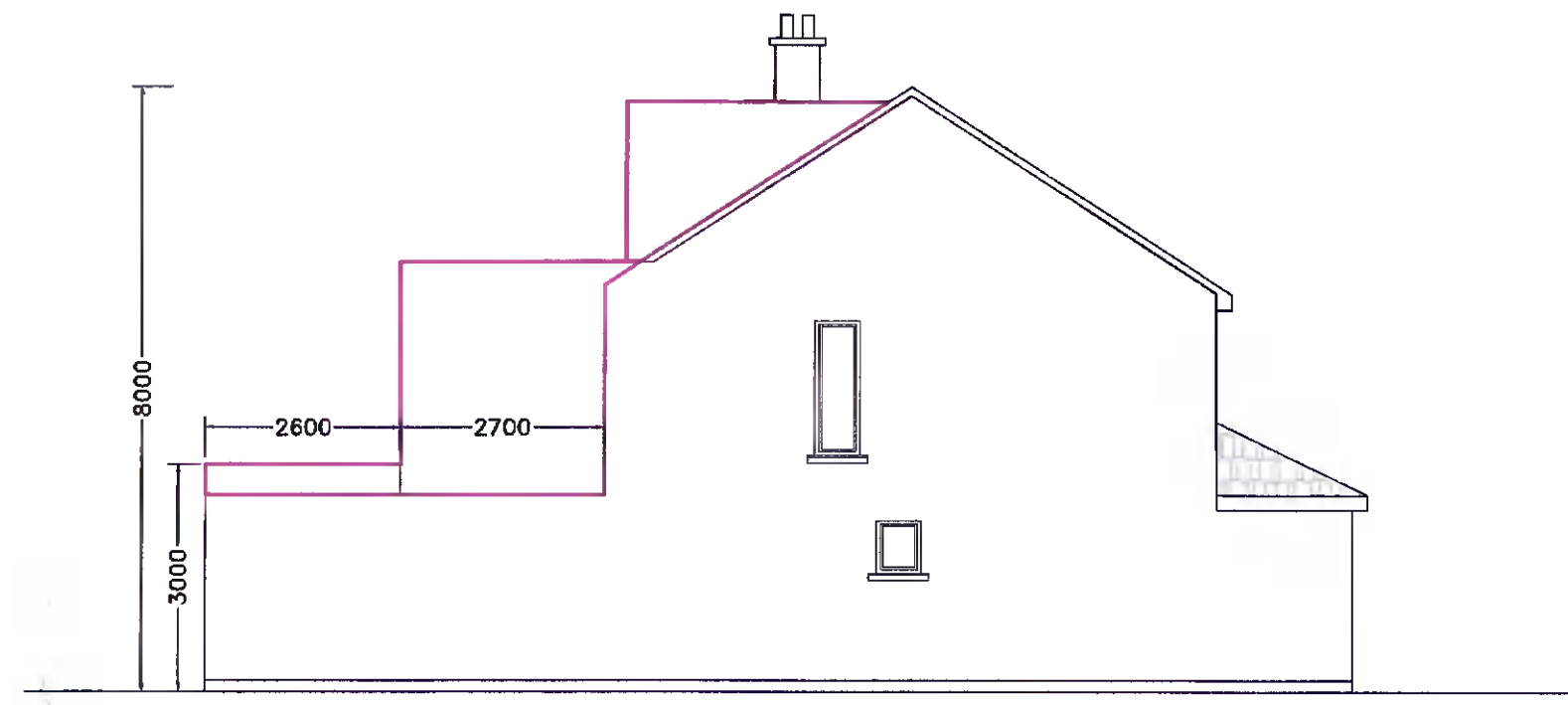
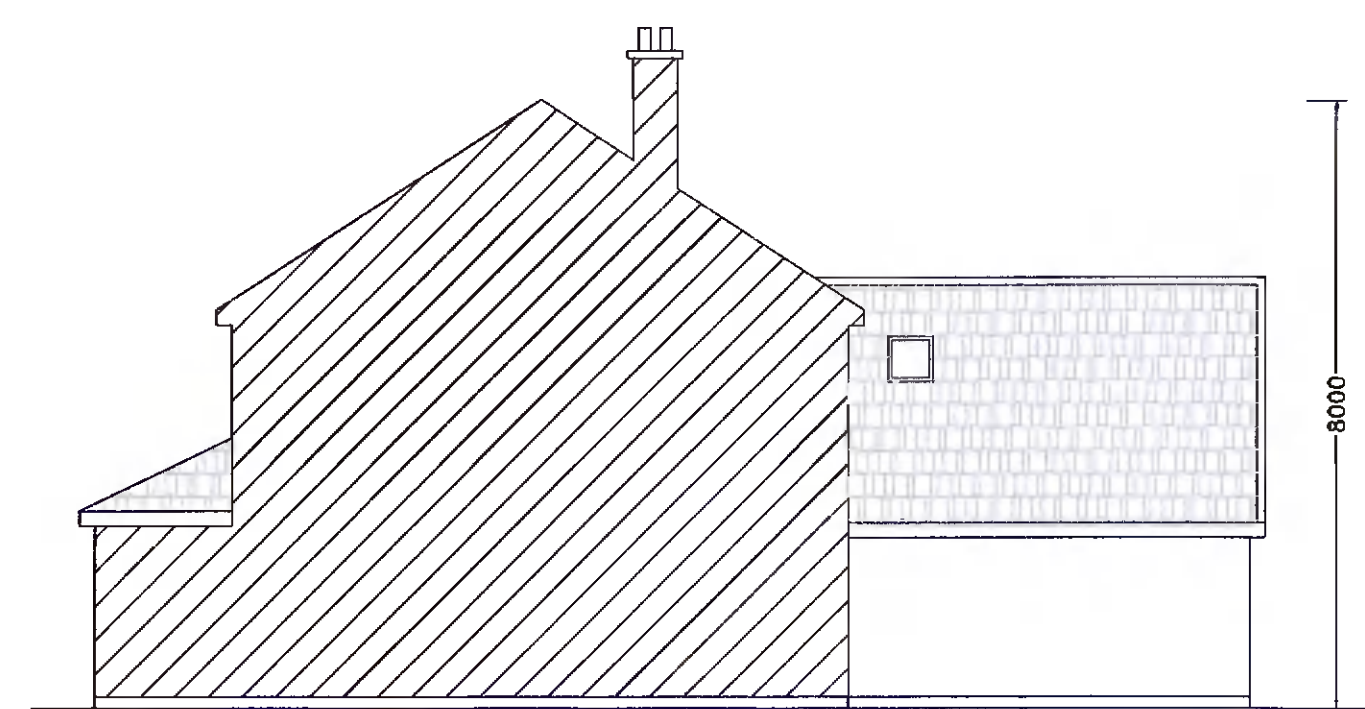


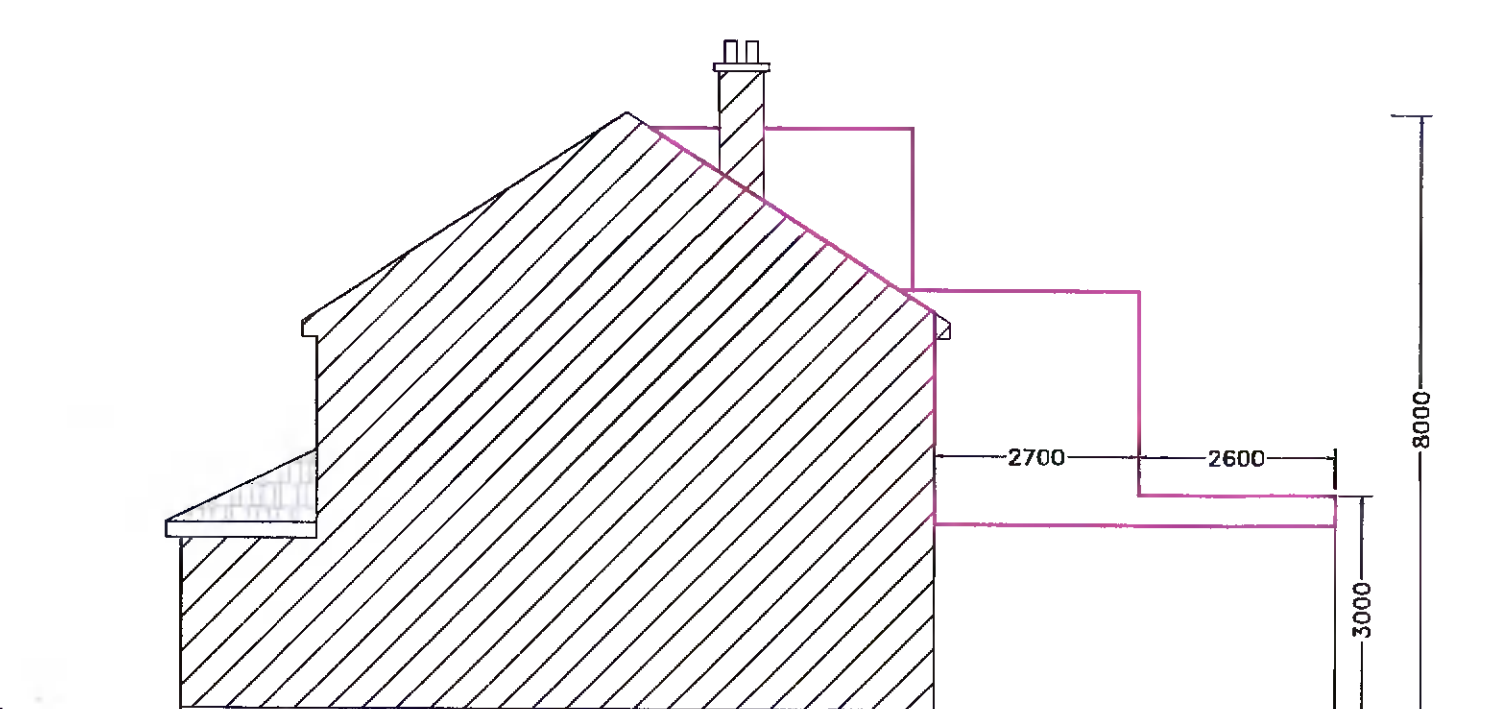
SIDE ELEVATION  
(EXISTING)  
SCALE 1:100



SIDE ELEVATION  
(PROPOSED)  
SCALE 1:100



SIDE ELEVATION  
(EXISTING)  
SCALE 1:100



SIDE ELEVATION  
(PROPOSED)  
SCALE 1:100

**SPECIFICATIONS**  
External finishes to match existing  
Gutters and downpipes to match existing  
Roof finishes to match existing  
Windows and doors UPVC or wood to match existing

**NOTES:**  
Drawings not to be scaled from. Use written dimensions only.  
Setting out dimensions to be checked against plans.  
To be used with other drawings and specifications.  
Any discrepancies in dimensions or specifications to be brought to the attention Architect Engineer Builder.  
All structures to be confirmed by Engineer.  
DRAWINGS NOT FOR CONSTRUCTION PURPOSES  
CHANGES IN MAGENTA

DRAWINGS BY  
KEVIN TIERNAN  
ARCHITECT SERVICES  
19 ARANLEIGH GARDENS  
RATHFARNHAM  
DUBLIN 14  
PH 01 5349272  
www.architectservices.ie

CLIENT: Michelle Smith  
13 St Malachy's Dr, Greenhills, Dublin, D12 A0X3

THIS DRAWING: Elevations  
Scale 1 to 100

Area: area of entire site 258 sq.m  
area of existing house incl. shed 139 sq.m  
area of new extensions 30 sq.m