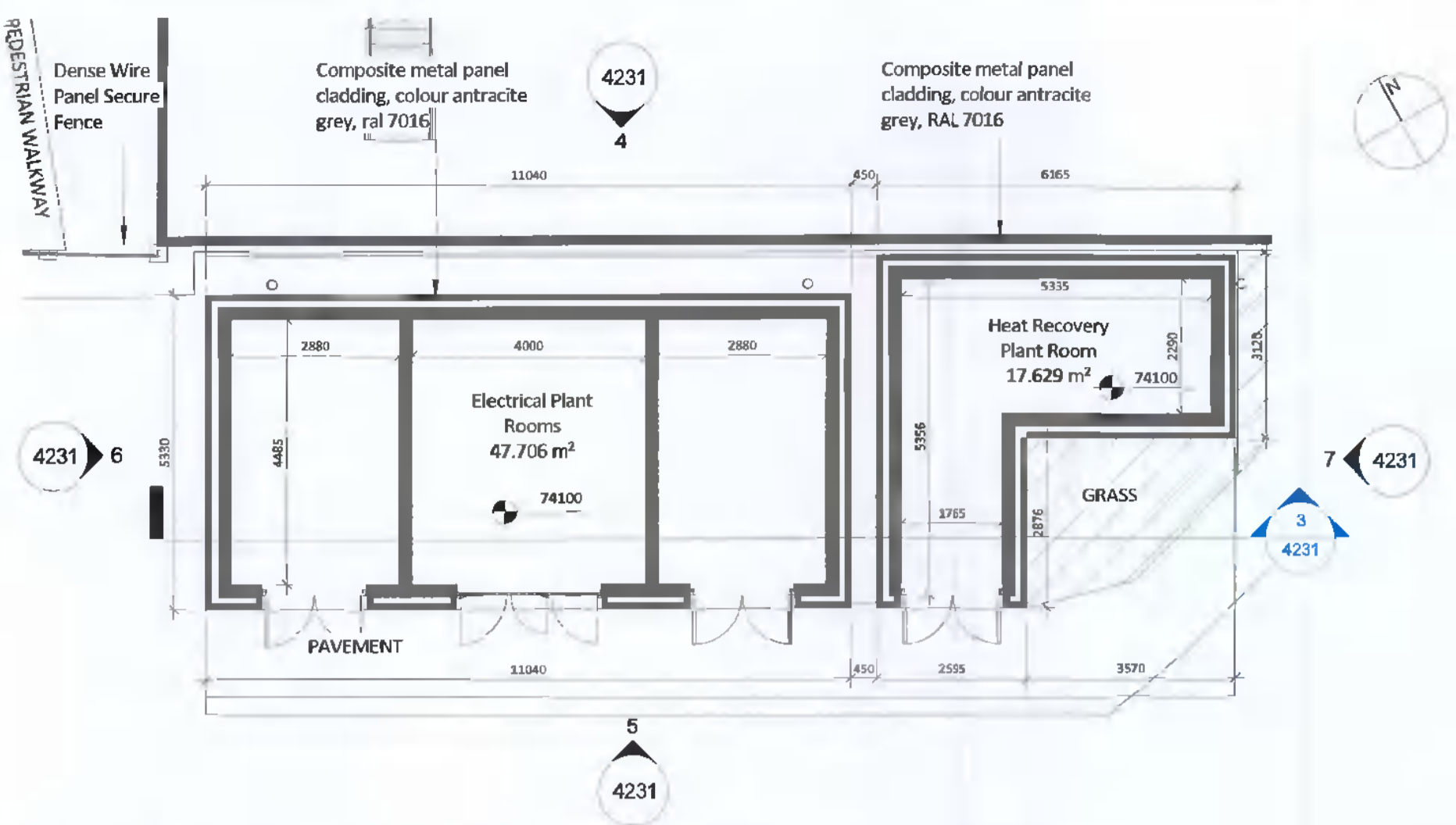


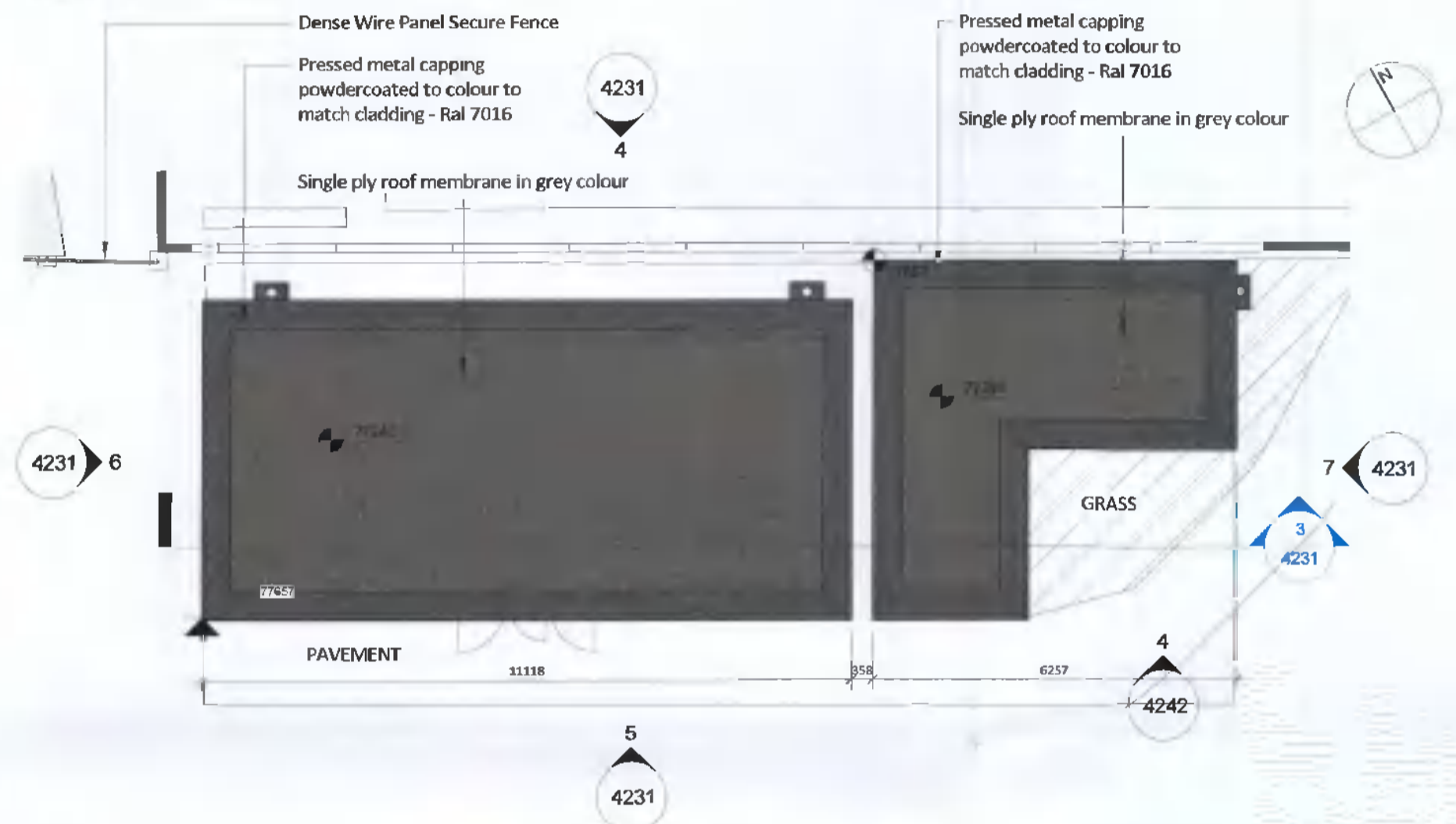
HAZARD IDENTIFICATION (if none state 'none relevant')	CONTROL AND MITIGATION MEASURES

NOTE:
 Hazards listed above are only those considered significant risks and
 a) not likely to be obvious to a competent contractor or other designers;
 b) unusual, or
 c) likely to be difficult to manage effectively

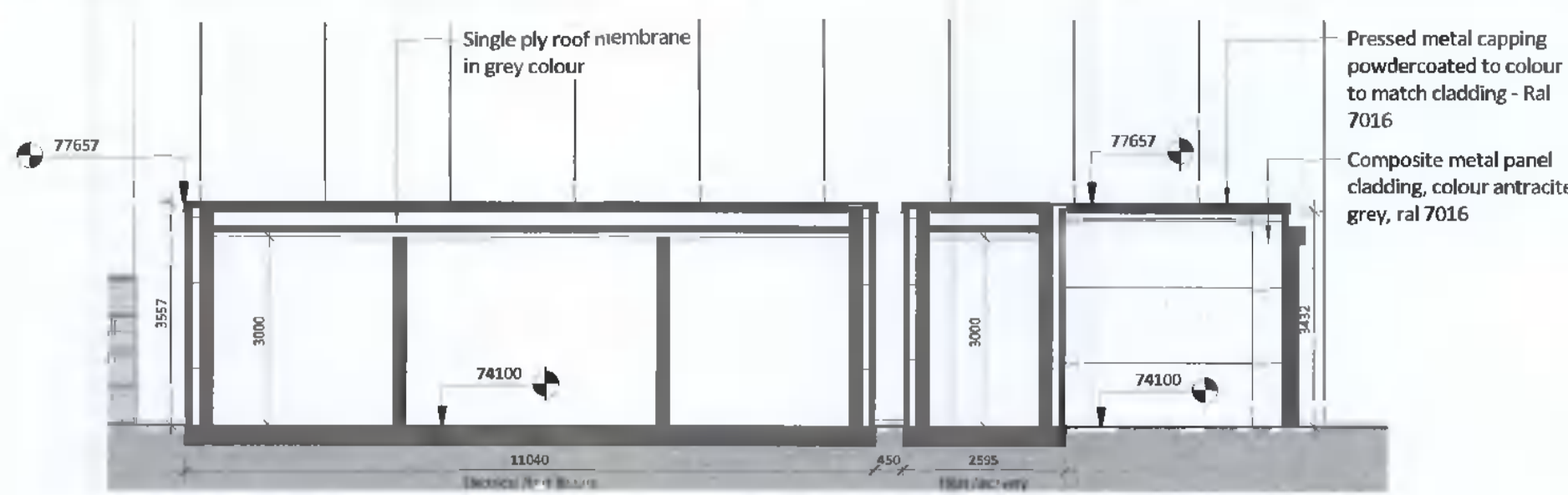
NOTE:
 NO CHANGES TO PREVIOUSLY PERMITTED DRAWING.



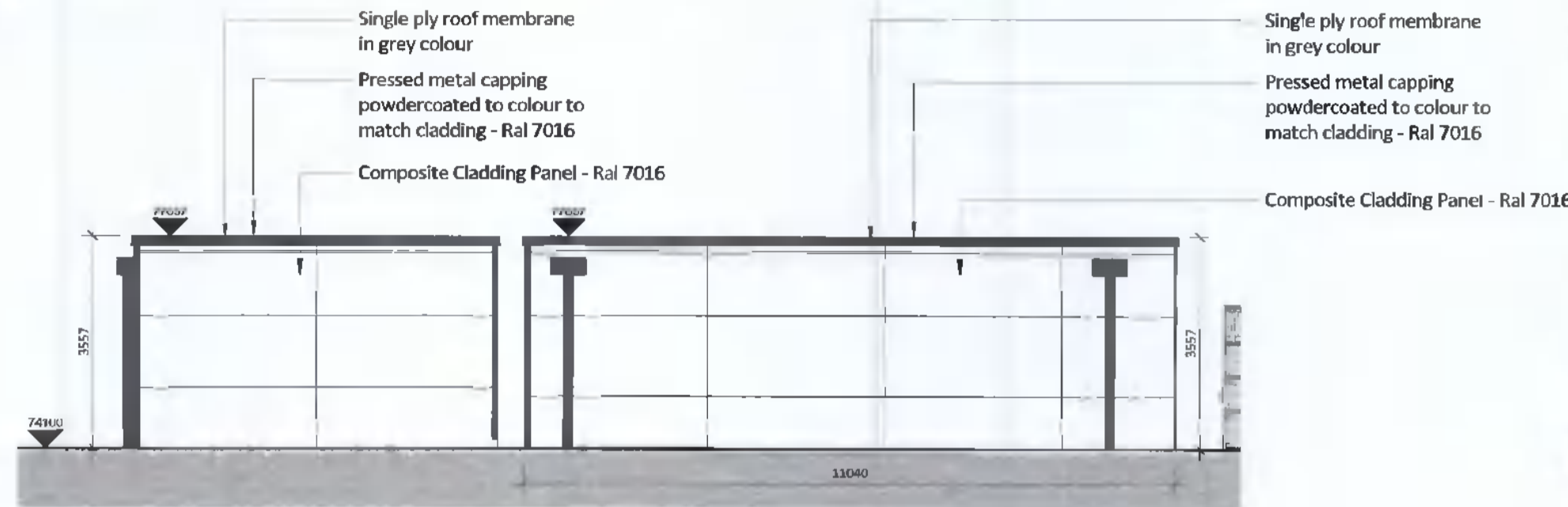
1 Heat Recovery/Electrical Plant Room Plan
1 : 100



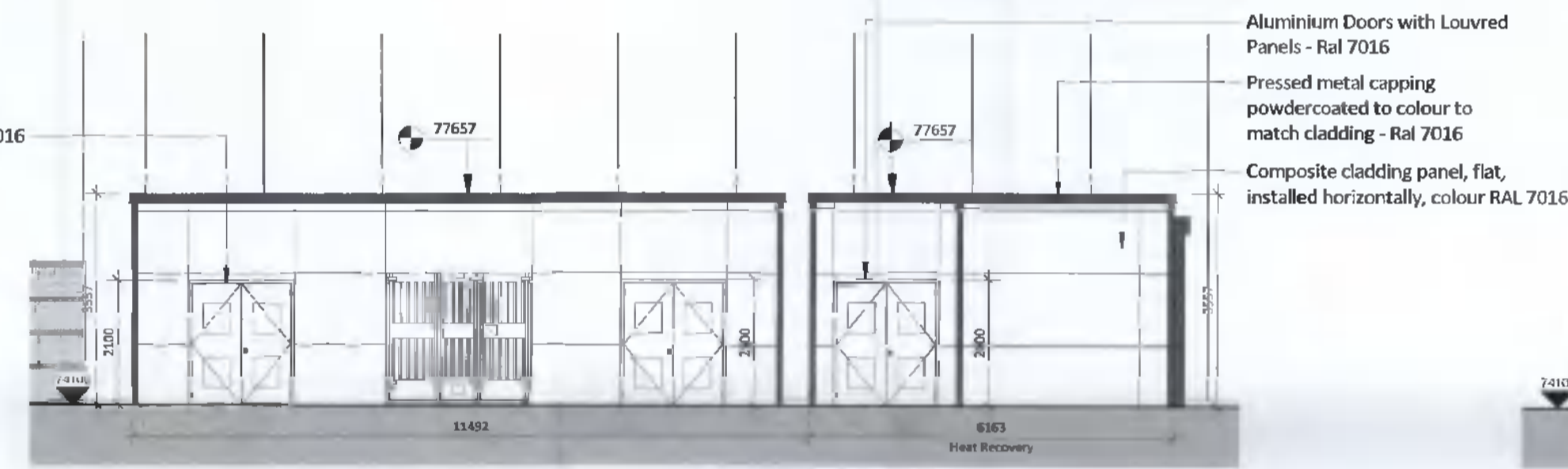
2 Heat Recovery/Electrical Plant Room Plan - Roof Plan
1 : 100



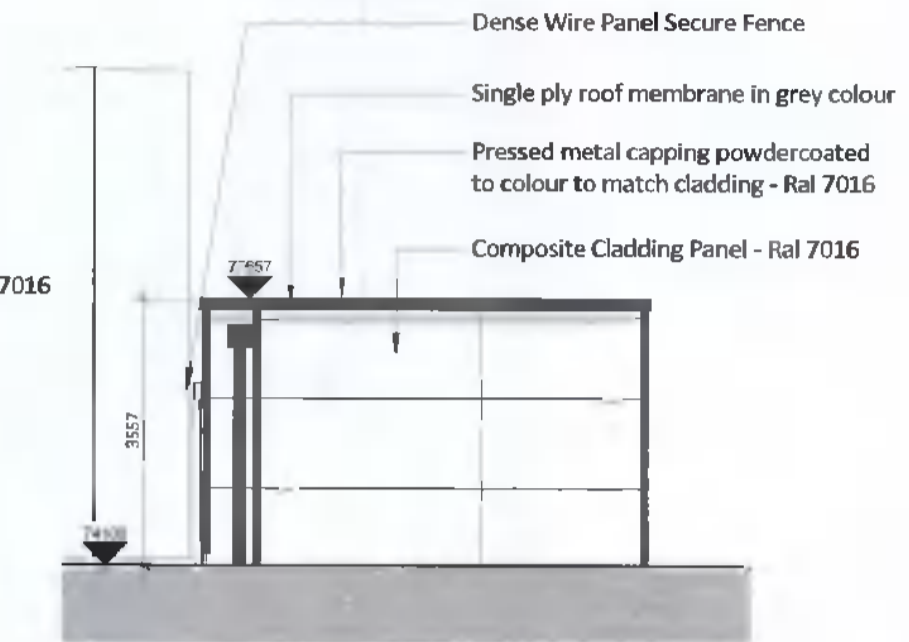
3 Heat Recovery/Electrical Plant Room Section
1 : 100



4 Plant Rooms North Elevation
1 : 100



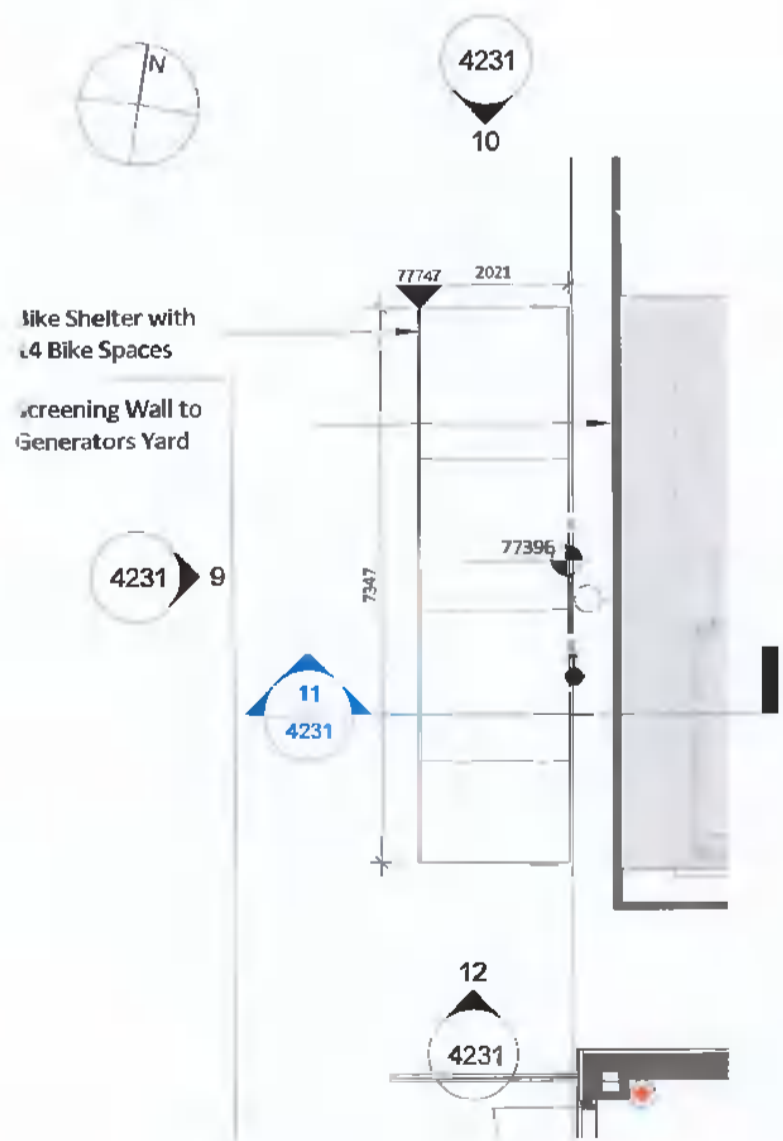
5 Plant Rooms South Elevation
1 : 100



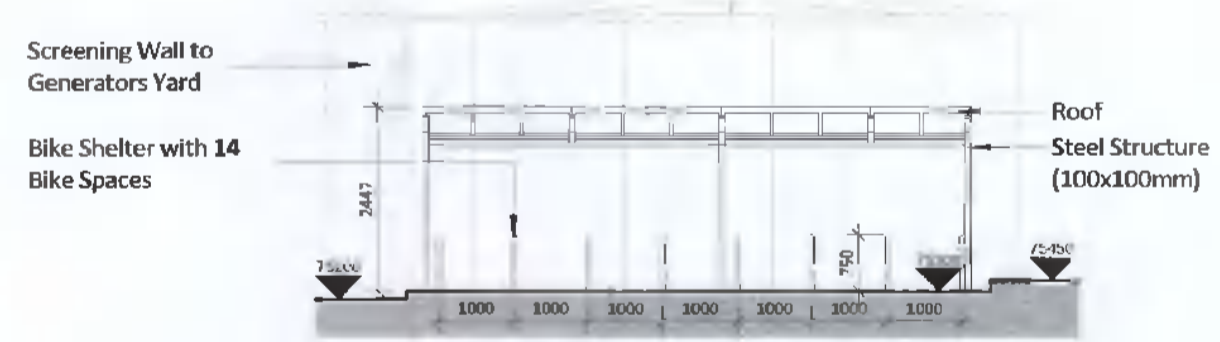
6 Plant Rooms East Elevation
1 : 100



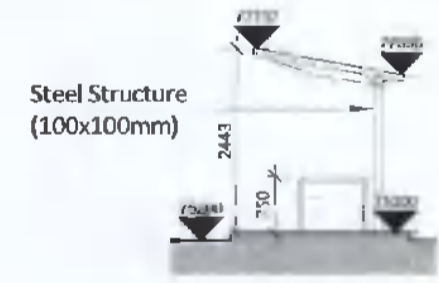
7 Plant Rooms West Elevation
1 : 100



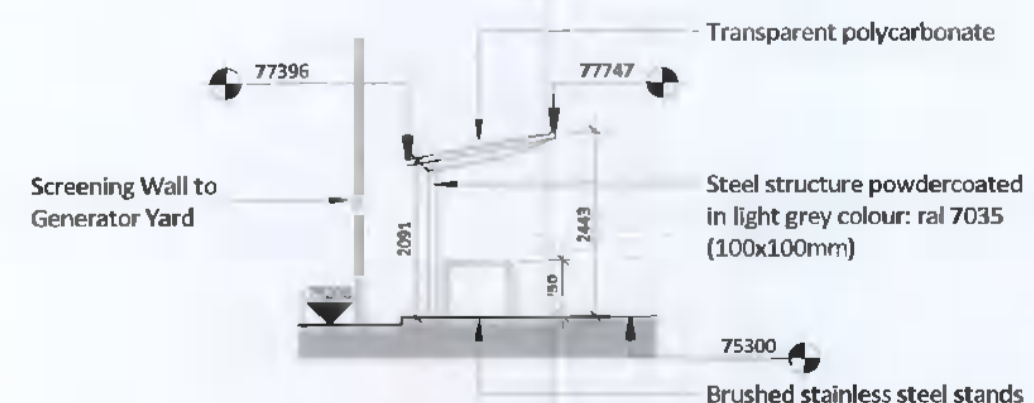
8 Bicycle Shelter Plan
1 : 100



9 Bicycle Shelter - West Elevation
1 : 100



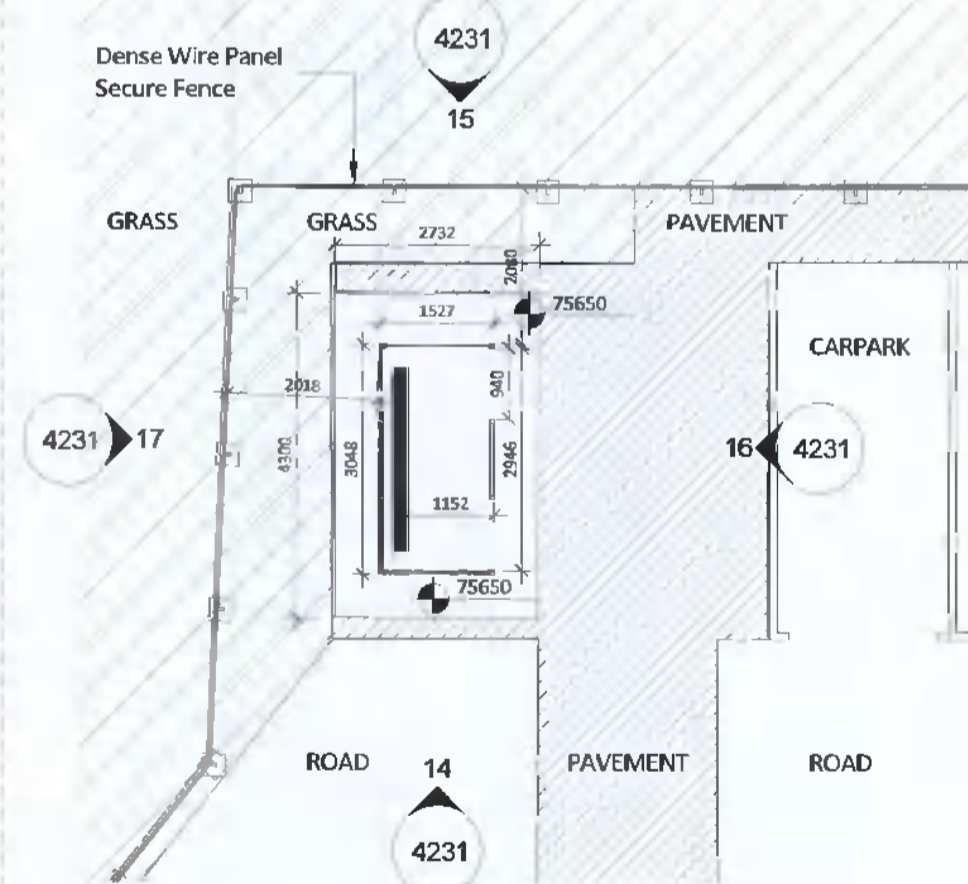
11 Bicycle Shelter Section
1 : 100



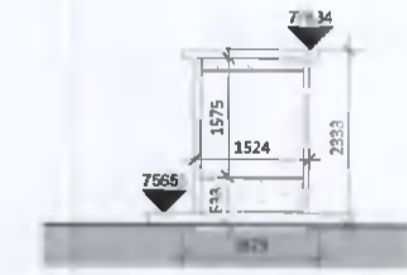
10 Bicycle Shelter - North Elevation
1 : 100



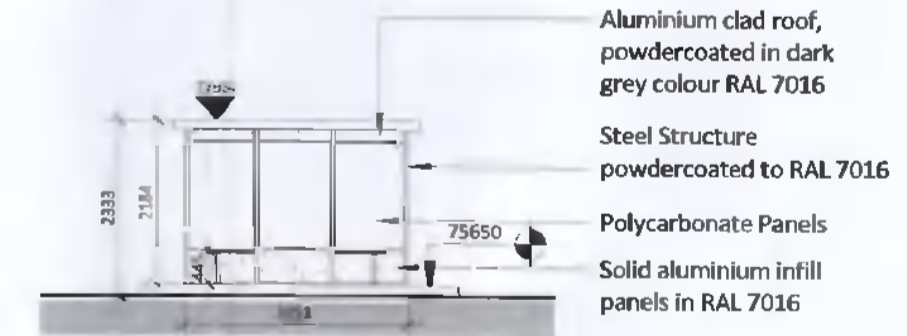
12 Bicycle Shelter - South Elevation
1 : 100



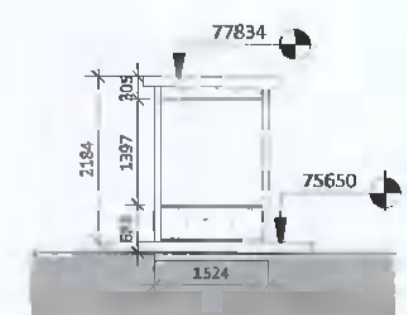
13 Smoke Shelter Plan
1 : 100



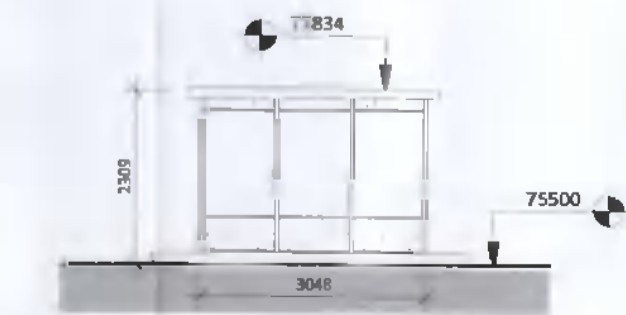
15 Smoke Shelter North Elevation
1 : 100



16 Smoke Shelter East Elevation
1 : 100



14 Smoke Shelter South Elevation
1 : 100



17 Smoke Shelter West Elevation
1 : 100

REV	DATE	DESCRIPTION	DWN	CHK	APP
P02	2022-05-25	Revised Issue for Planning	KOY	MB	JS
P01	2021-06-16	Issued for Planning	NC	MB	JS

Key:

Project:
Equinix DB081

Drawing Title:
Proposed Ancillary Buildings - ESB Substation, Heat Exchange Plantroom, Bike Shelter, Smoking Shelter

Drawing Number:
DB080 -RKD -ZZ -XX -DR -A -ZZZZ -4231

Scale: 1:100 Paper Size: A1 Purpose: S4 Revision: P02