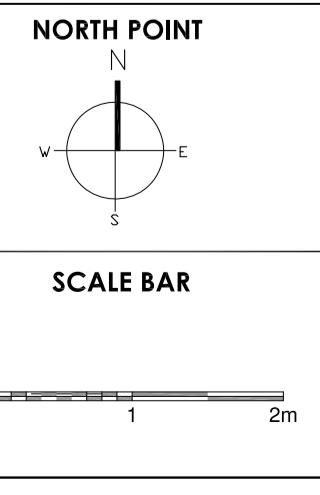


01 Proposed Ground Floor Plan
PA 100 1:50

ISSUED FOR: INFORMATION ONLY, NOT FOR CONSTRUCTION.

NOTES:
Do not scale from this drawing. Any discrepancies found on site to be reported to GWA Architects immediately. Any discrepancies found on drawings to be reported to GWA Architects immediately. Refer to engineers drawings for structural details. All dimensions sized to blockwork.

REVISIONS			
Rev.	Description	Date	Initials



Scale 1:50 @ A1	Date 24/05/22	Drawing By JM & GW	Checked By Geoffrey Whelan	Issue Purpose Section 5 - Planning
RIAI Registered Architect 2022	Architect Accredited in Conservation G3	Architectural Technologist 2022	Practice Member 2022	GWA GEOFFREY WHELAN ARCHITECTS

A: GWA Architects - D12 Studio, 145 Berrinsfigan Road, Dublin 12, D12 TF68.
T: 353 1 4561667, M: 353 87 215 1064, E: info@gwaarchitects.ie, W: www.gwaarchitects.ie

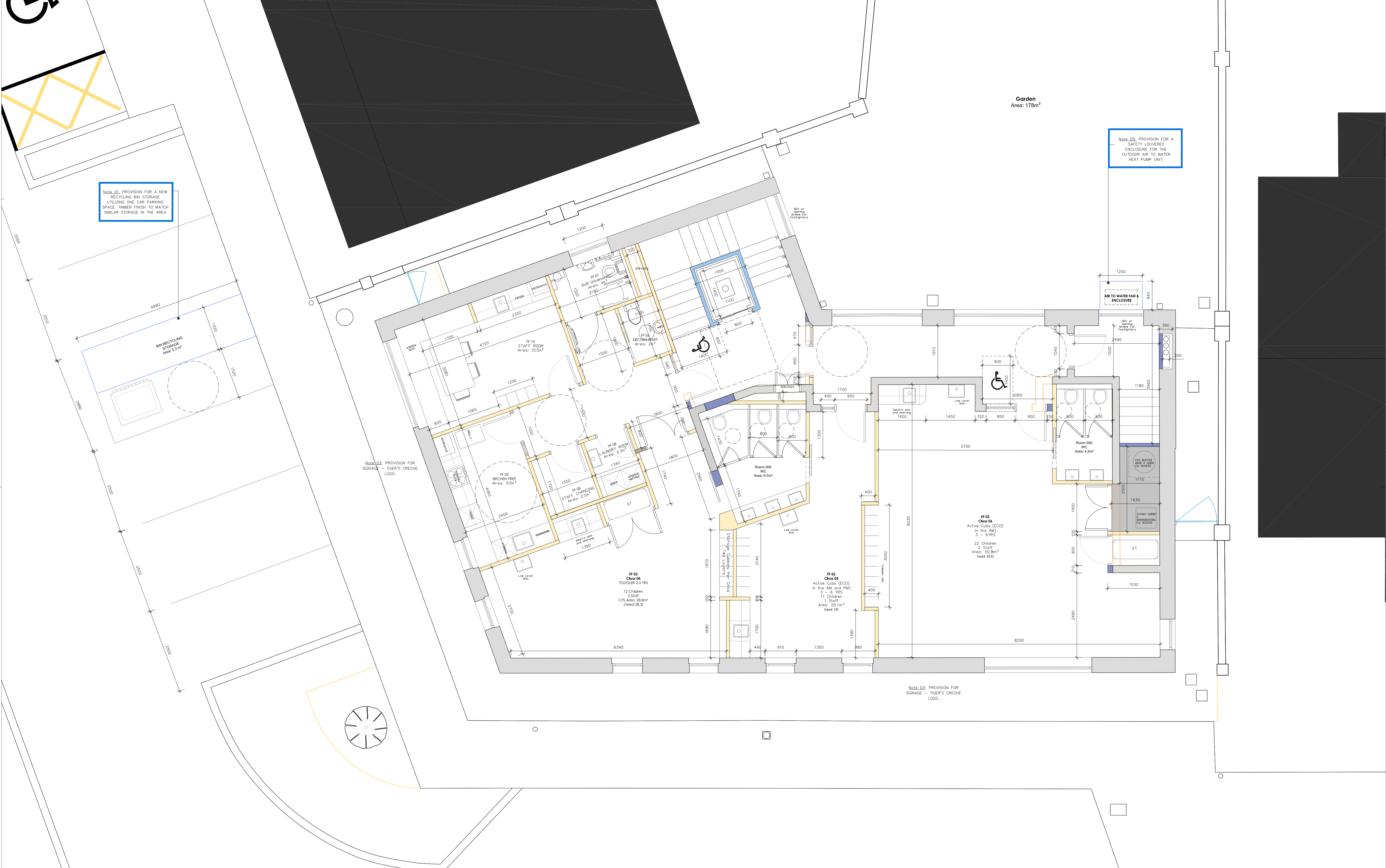
ADAPTIVE . CREATIVE . RELIABLE

Project: DODDERBROOK CRECHE FITOUT
OLDCOURT RD, OLDCOURT, DUBLIN

Title: Proposed Ground Floor Plan

Client: Tigers Childcare

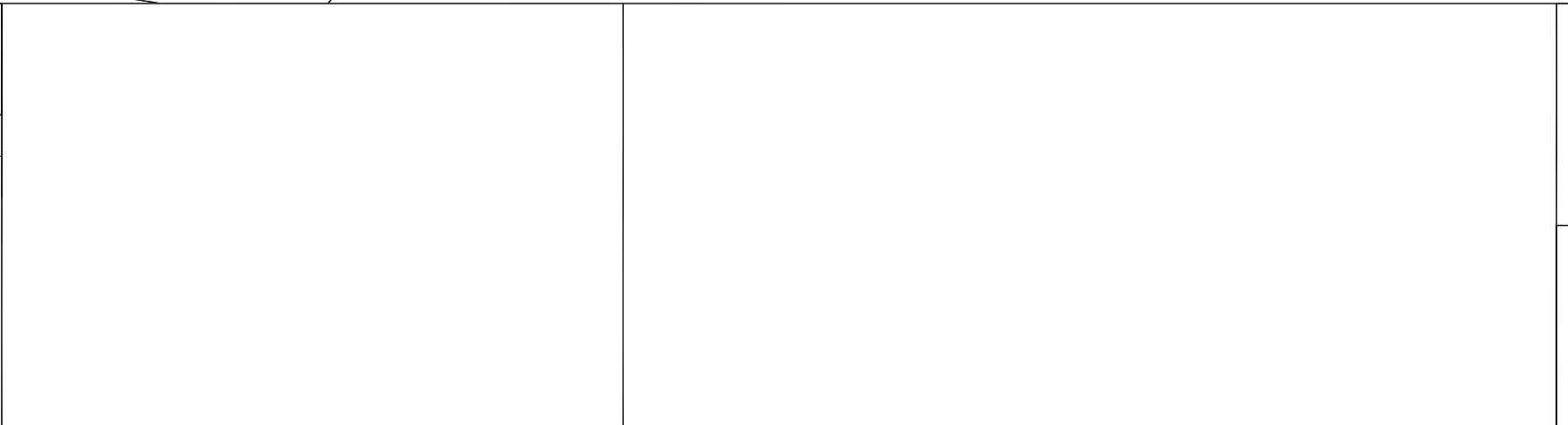
Dwg. No. 100PA	Revision	Job No. 2142
-------------------	----------	-----------------



ISSUED FOR: INFORMATION ONLY, NOT FOR CONSTRUCTION.

NOTES:
Do not scale from this drawing.
Any discrepancies found on site to be reported to GWA Architects immediately. Any discrepancies found on drawings to be reported to GWA Architects immediately. Refer to engineers drawings for structural details.
All dimensions sized to blockwork.

REVISIONS			
Rev.	Description	Date	Initials



Scale	Date	Drawing By	Checked By	Issue Purpose
1:50 @ A1	24/05/22	JM & GW	Geoffrey Whelan	Section 5 - Planning

RIAI Registered Architect 2022	Architect Accredited in Conservation G3	Architectural Technologist 2022	Practice Member 2022
---	---	---	--------------------------------

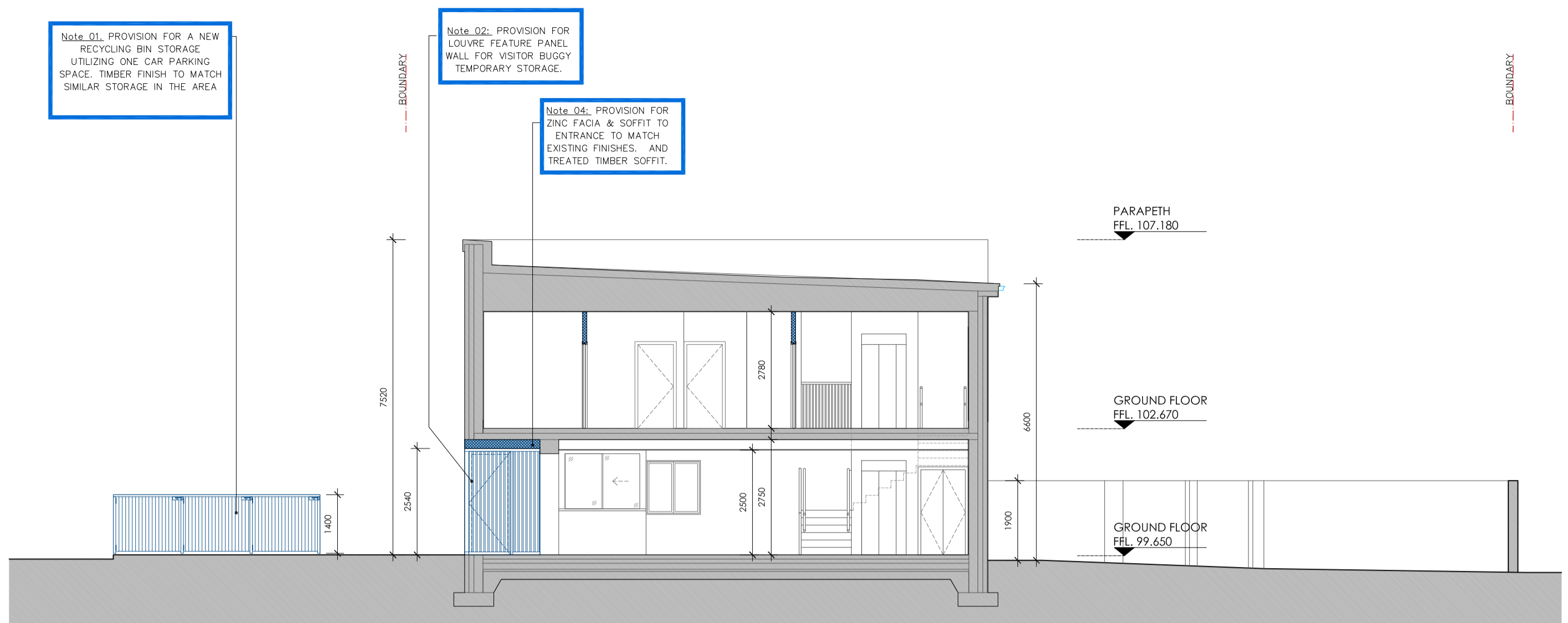
A: GWA Architects - D12 Studio,
145 Berrymount Road,
Dublin 12,
D12 TF68.

T: 353 1 4561667
M: 353 87 215 1064
E: info@gwaarchitects.ie
W: www.gwaarchitects.ie

GWA
GEOFFREY WHELAN
ARCHITECTS

ADAPTIVE . CREATIVE . RELIABLE

Project: DODDERBROOK CRECHE FITOUT OLDCOURT RD, OLDCOURT, DUBLIN	Title: Proposed First Floor Plan
Client: Tigers Childcare	Dwg. No. 101PA
Revision	Job No. 2142



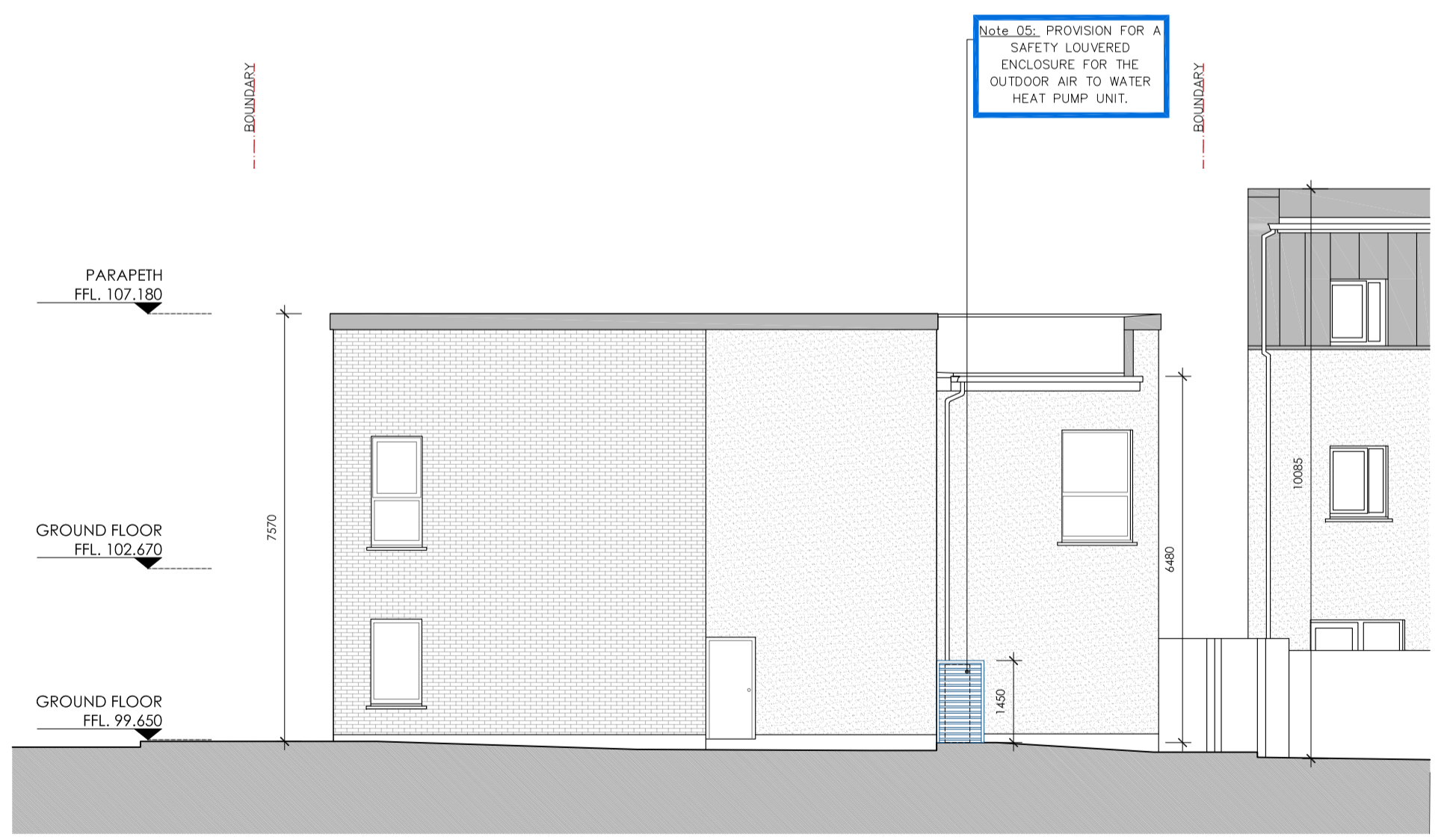
01 Proposed Section AA
PA 300 1:100



02 Proposed West Elevation
PA 300 1:100



03 Proposed North Elevation
PA 300 1:100



04 Proposed East Elevation
PA 300 1:100



05 Proposed South Elevation
PA 300 1:100

ISSUED FOR: INFORMATION ONLY, NOT FOR CONSTRUCTION.

REVISIONS			
Rev.	Description	Date	Initials

NOTES:
Do not scale from this drawing.
Any discrepancies found on site to be reported to GWA Architects immediately. Any discrepancies found on drawings to be reported to GWA Architects immediately. Refer to engineers drawings for structural details.
All dimensions sized to blockwork.

NORTH POINT

SCALE BAR

Scale 1:100 @ A1	Date 24/05/22	Drawing By JM & GW	Checked By Geoffrey Whelan	Issue Purpose Section 5 - Planning	Project DODDERBROOK CRECHE FITOUT OLDCOURT RD, OLDCOURT, DUBLIN					
<table border="1"> <tr> <td>Registered Architect RIAI 2022</td> <td>Architect Accredited in Conservation G3</td> <td>Architectural Technologist 2022</td> <td>Practice Member 2022</td> </tr> </table>					Registered Architect RIAI 2022	Architect Accredited in Conservation G3	Architectural Technologist 2022	Practice Member 2022	<p>GWA GEOFFREY WHELAN ARCHITECTS</p>	<p>Client: Tigers Childcare</p>
Registered Architect RIAI 2022	Architect Accredited in Conservation G3	Architectural Technologist 2022	Practice Member 2022							
<p>A: GWA Architects - D12 Studio, 145 Berrinsodogan Road, Dublin 12, D12 TF68.</p>		<p>T: 353 1 4561667 M: 353 87 215 1064 E: info@gwaarchitects.ie W: www.gwaarchitects.ie</p>		<p>ADAPTIVE . CREATIVE . RELIABLE</p>	<p>Dwg. No. 300PA</p>	<p>Revision </p>	<p>Job No. 2142</p>			