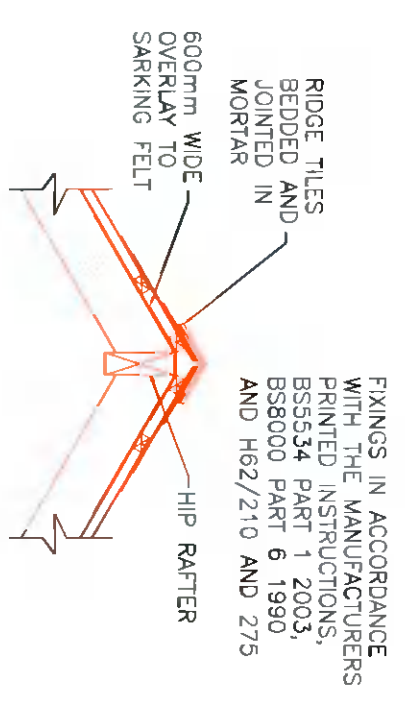
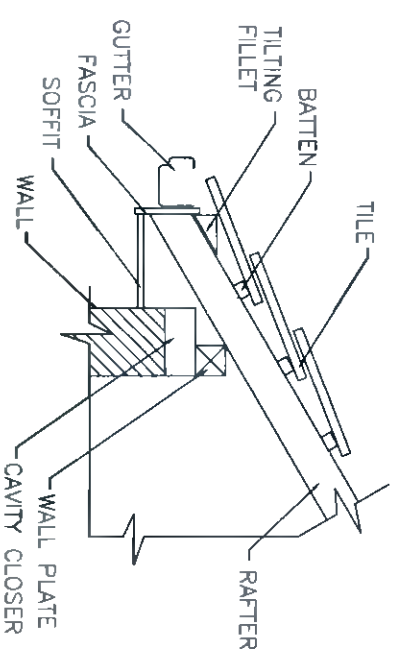


ROOF TRUSS RAFTERS 150x50mm @400 C.C. ON 100x75 WALL PLATES SUPPORT WITH 175x75 PURLINS AND 150x50 HANGERS & TIES TO COMPLY WITH I.S. 193



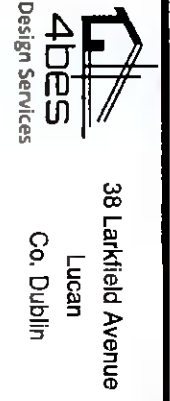
1. Mortar 1:3 cement/sand pigmented to approved colour.
2. Fix 600mm wide underlay, overlapping the main underlay
3. Fix hip to iron (to BS 5534: Part 1: Clause 12) to hip rafter.
4. Cut slates to fit closely at junction.
5. Lay hip ridge tiles true and bed edges and joints firmly in mortar, struck off smoothly to provide a flush finish.
5. Cut first tile to align with corner of eaves.
6. Fill end of hip with mortar and slips of slate finished flush.



TYPICAL ROOF DETAIL



The information contained in this drawing is confidential and must not be divulged to any third party without the written consent of 4bes Design Services.



No.25 Carriglea Rise,
Firhouse, Dublin 24,
D24 AF5P

PROPOSED SECTION AND DETAILS

DRAWN	JOHN FORBES , 38 LARKFIELD AVE. , LUCAN, CO. DUBLIN
DATE	May 2022
SCALE	1:50 @ A3
	Brian Moran