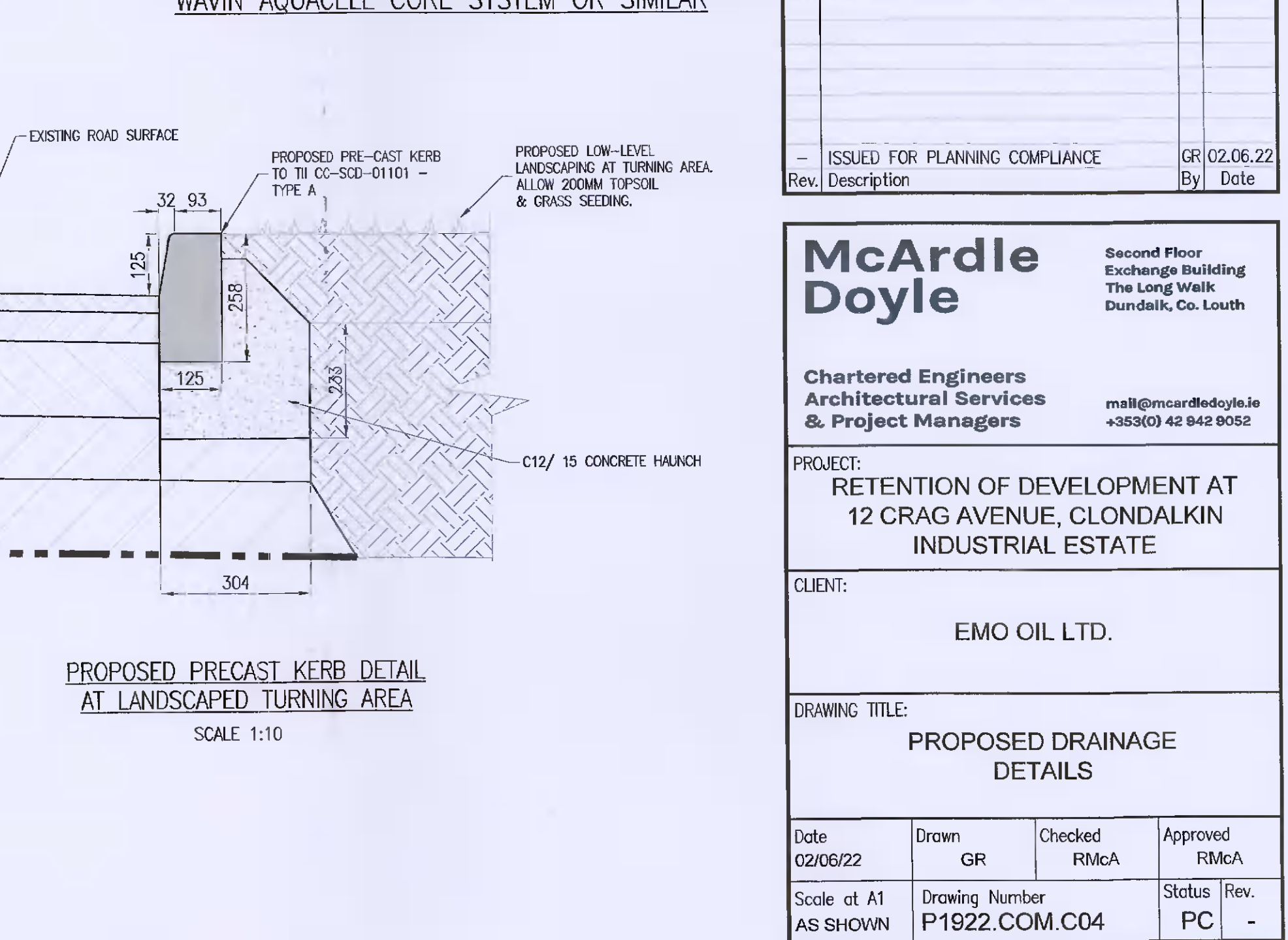
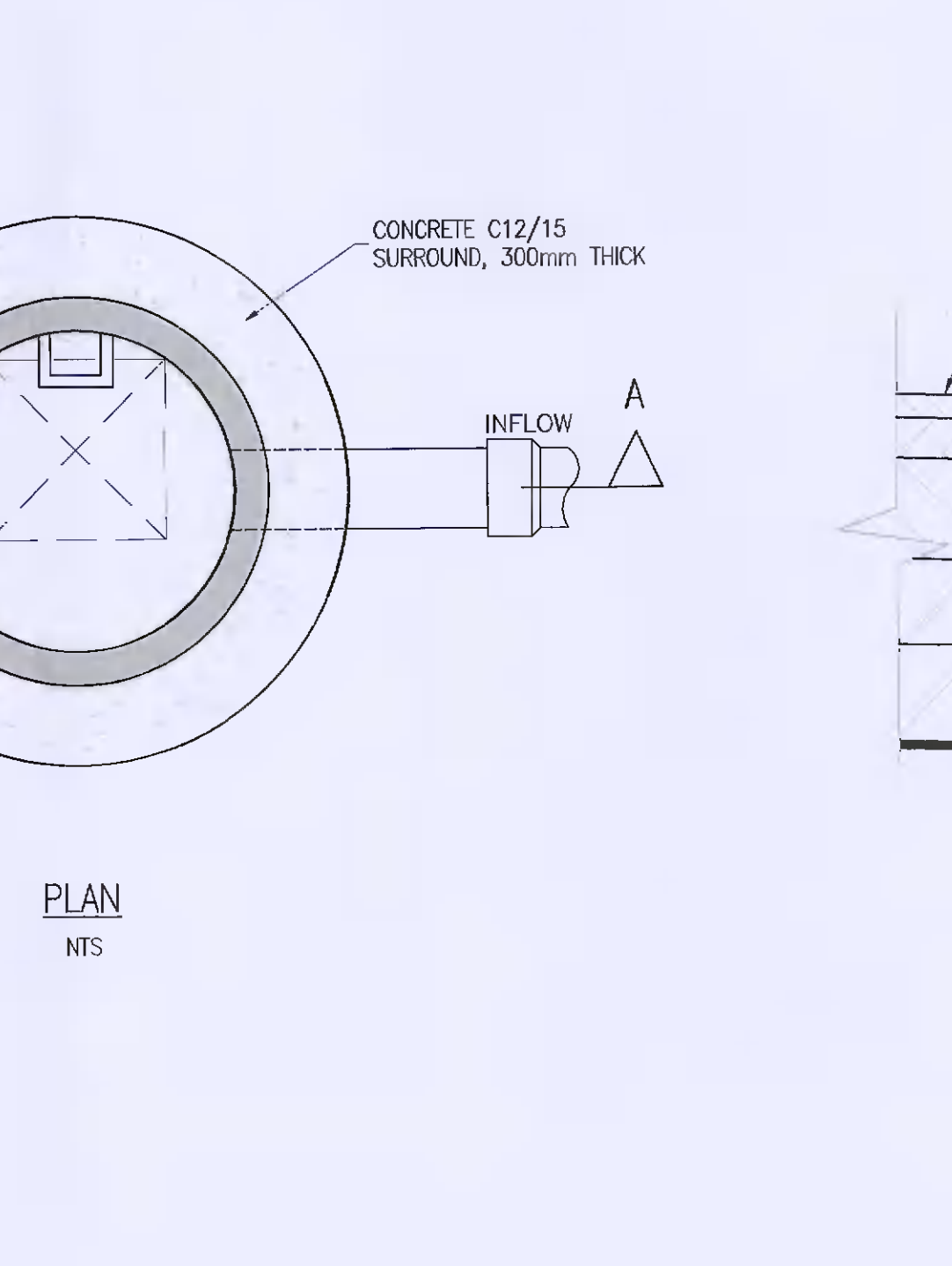
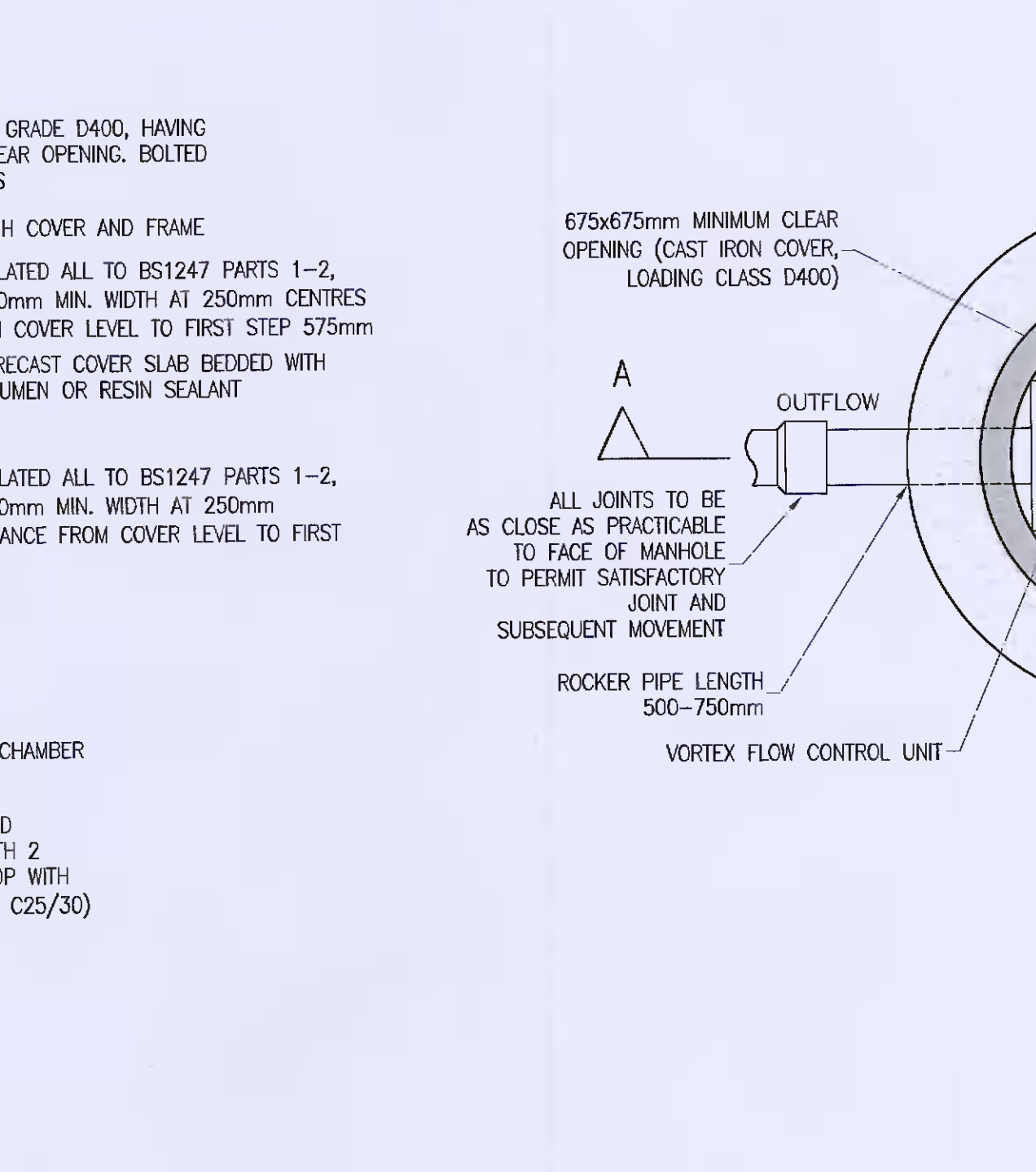
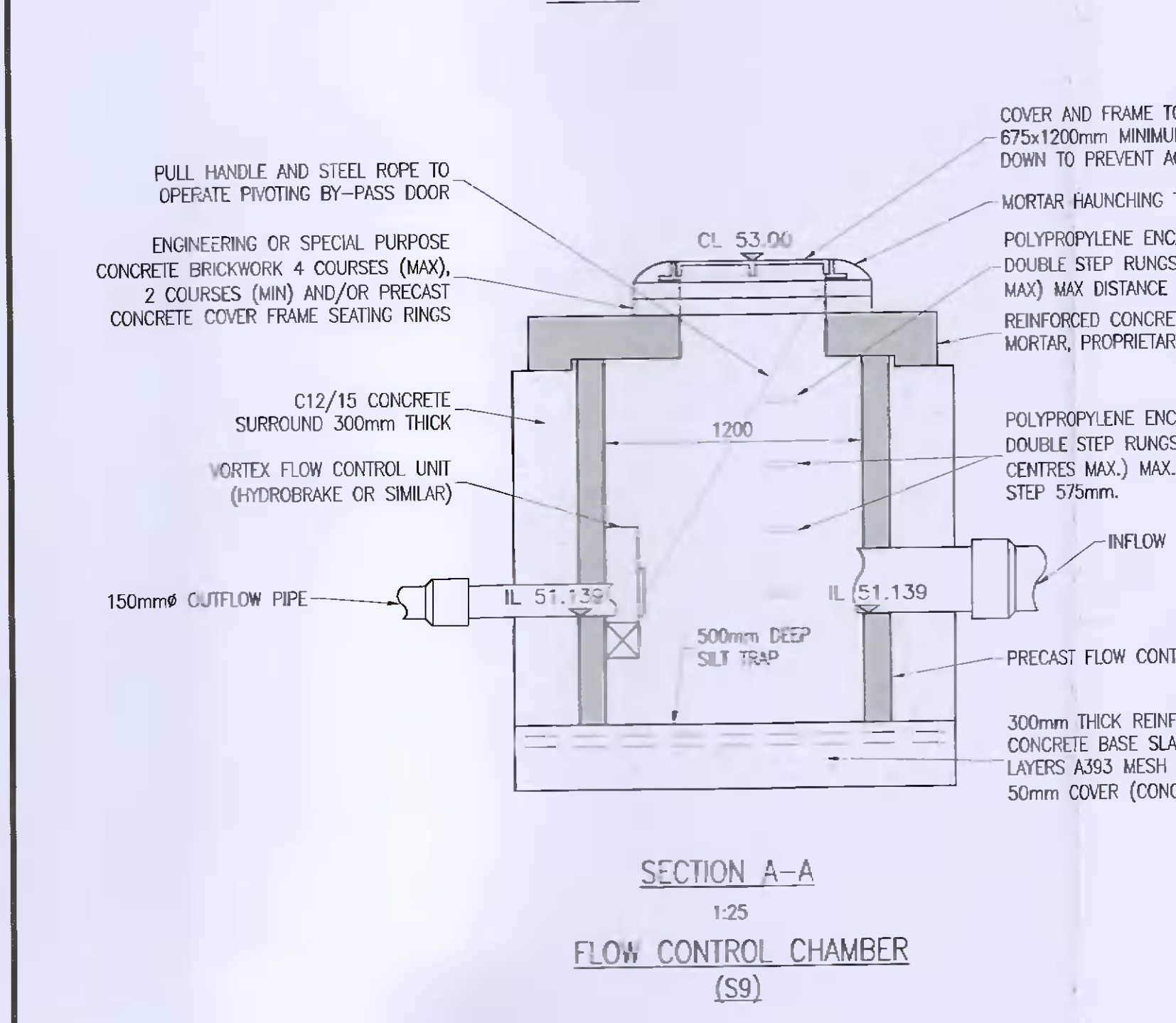
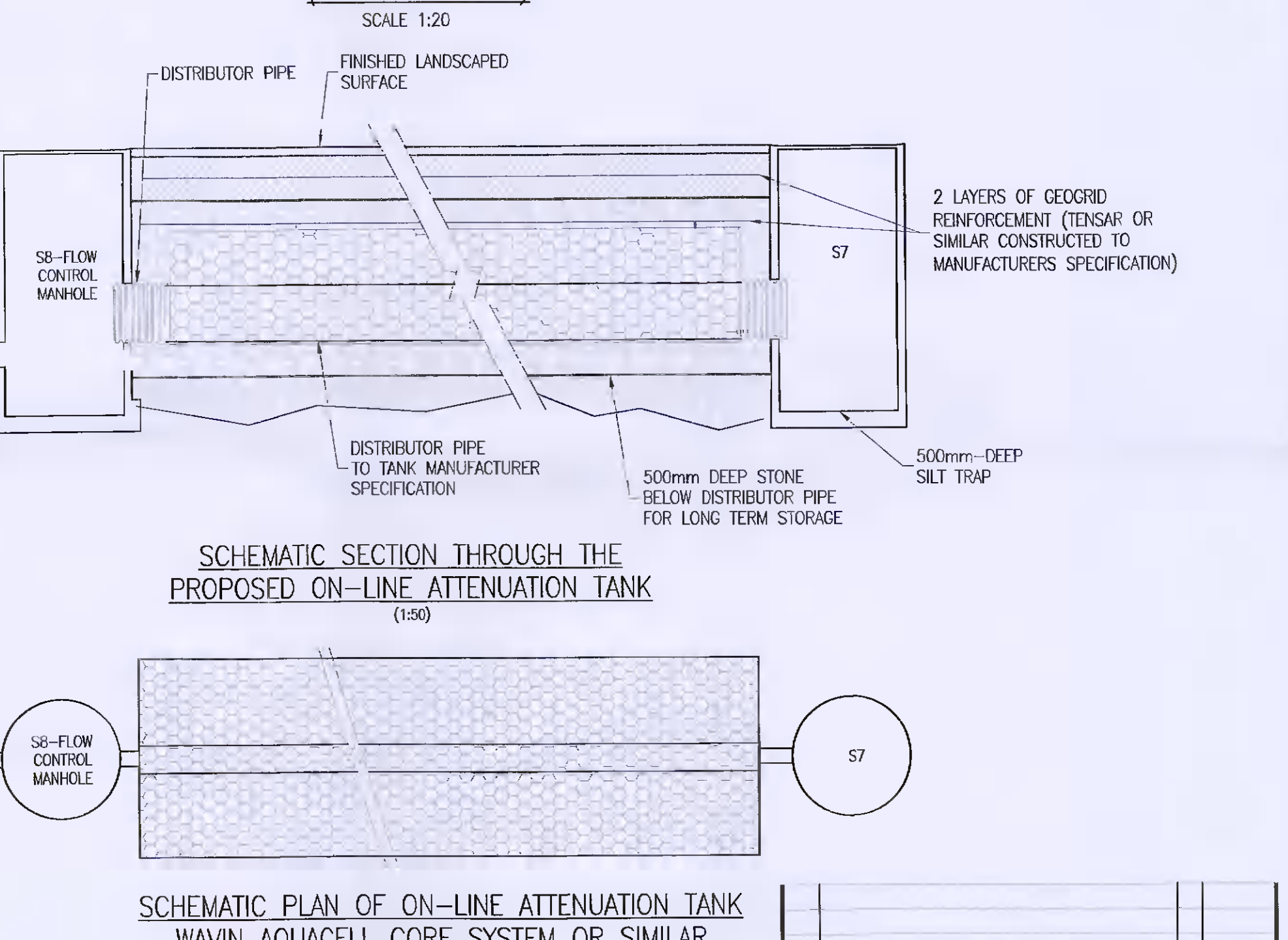
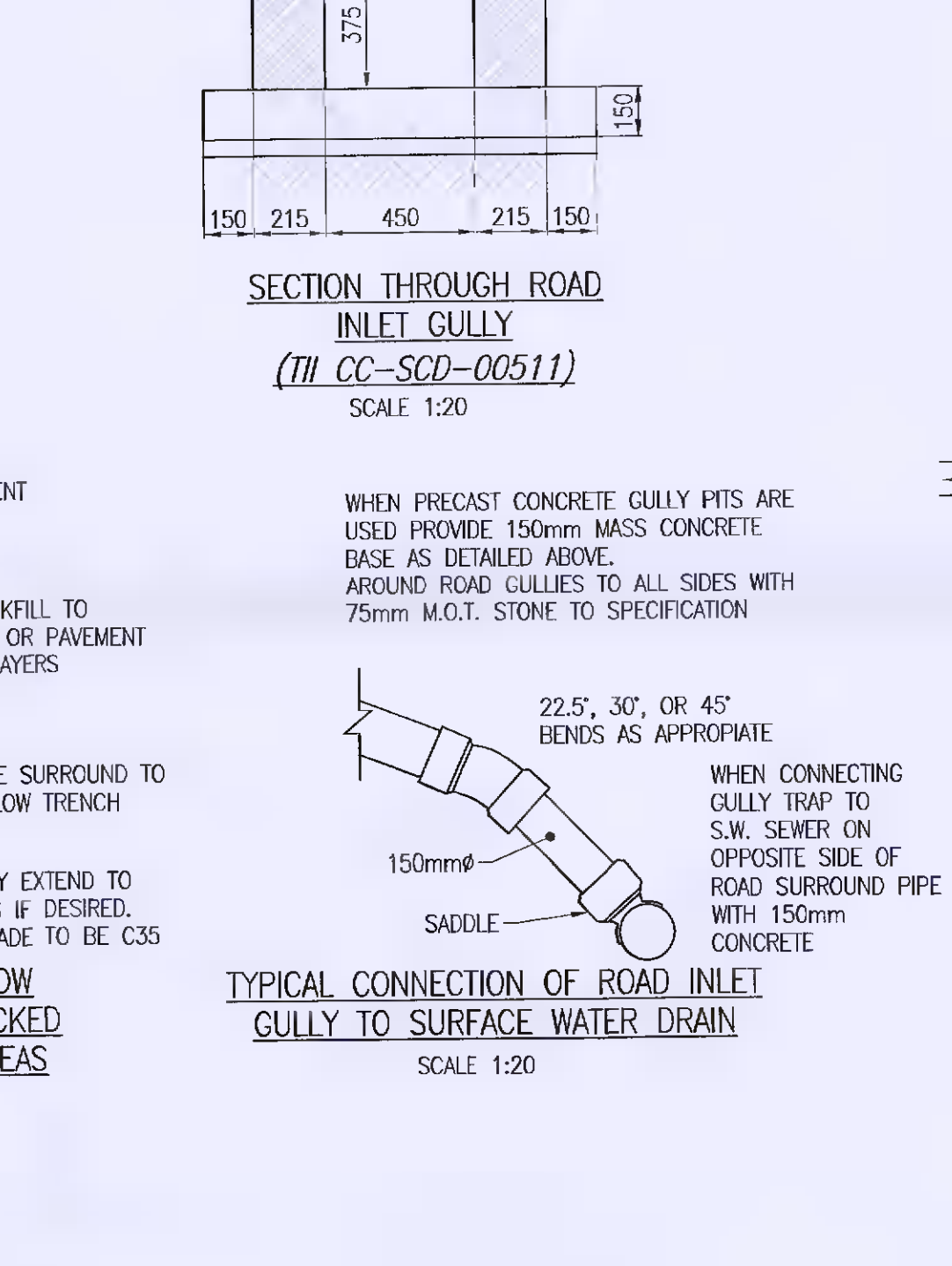
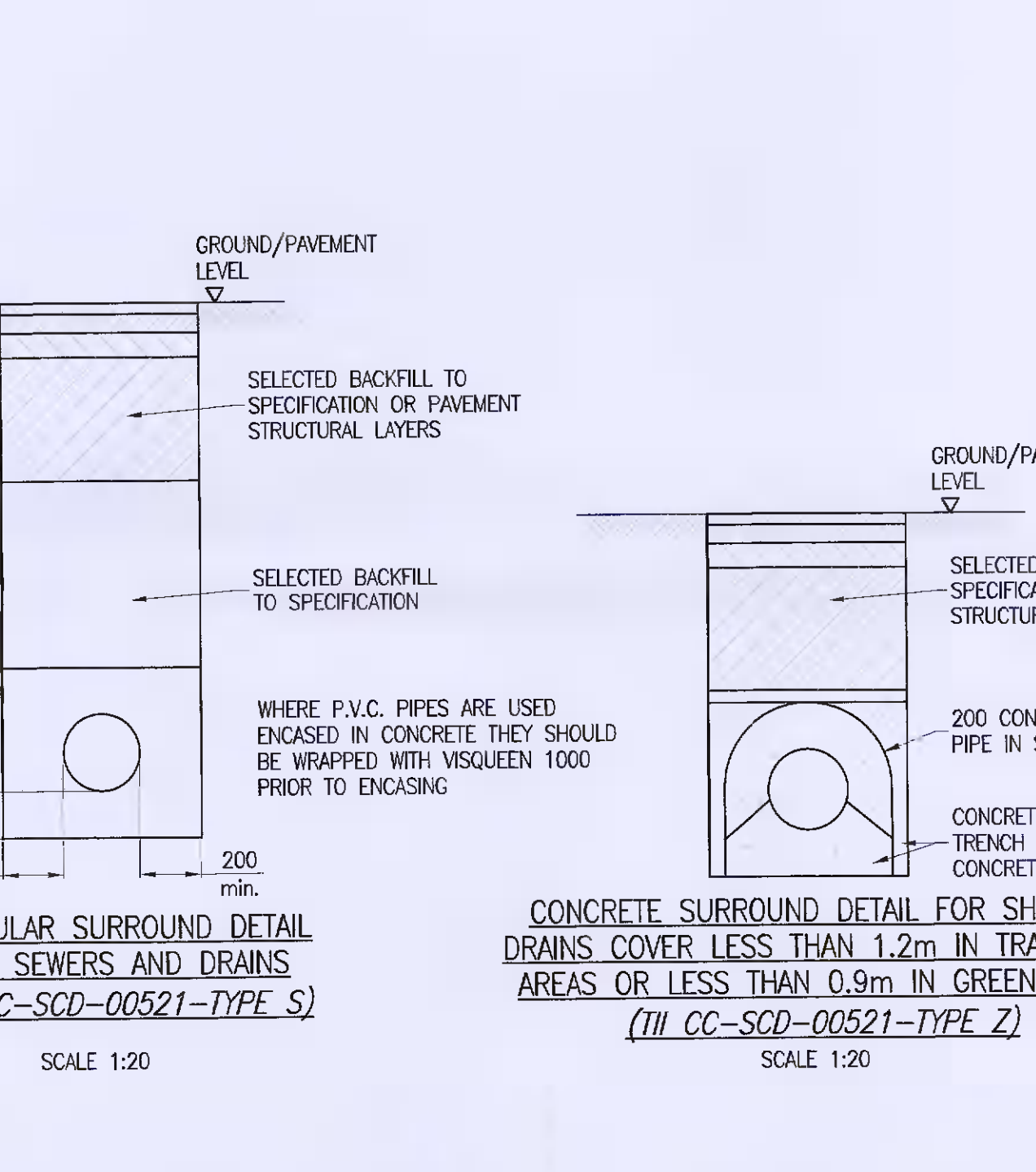
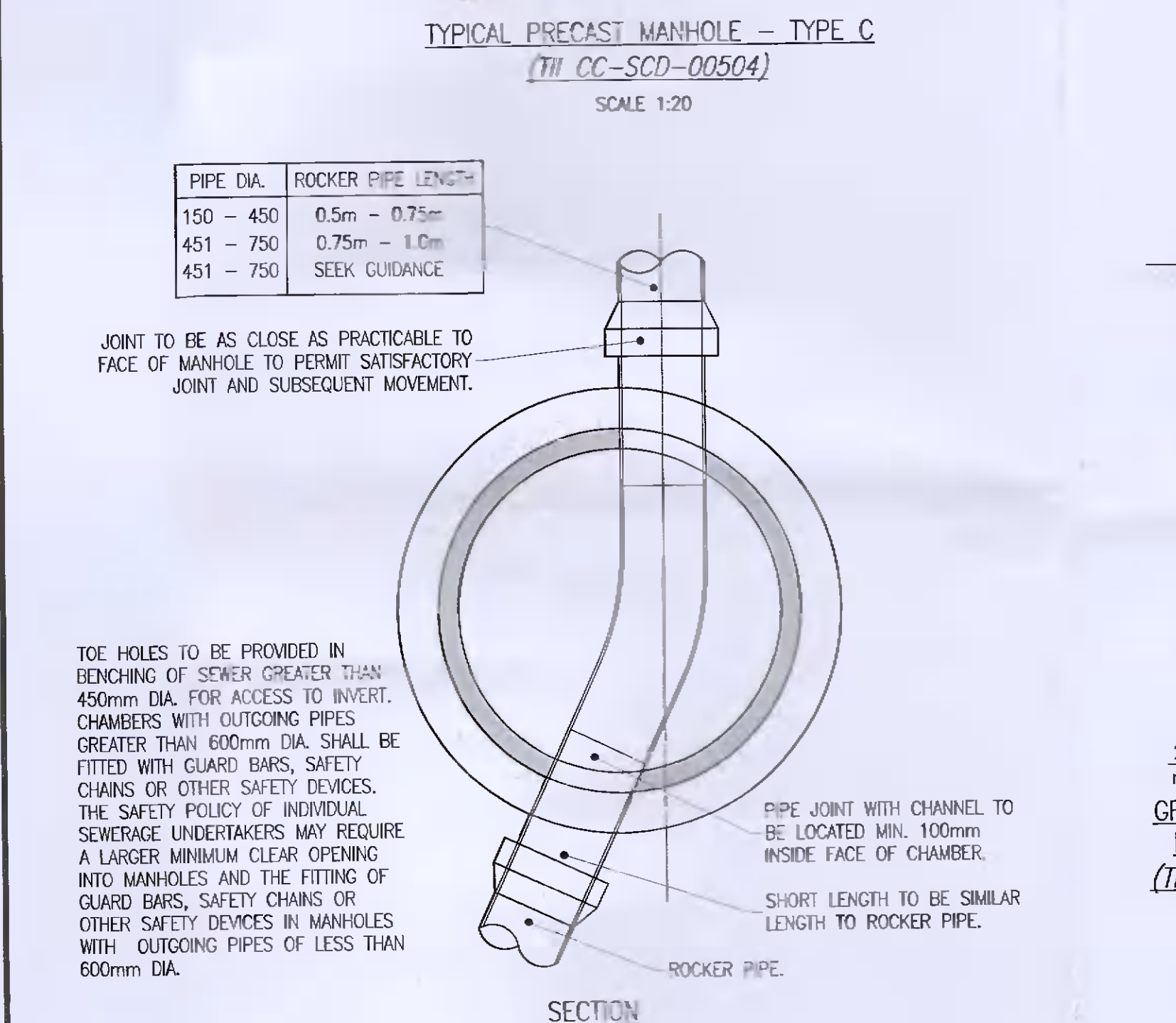
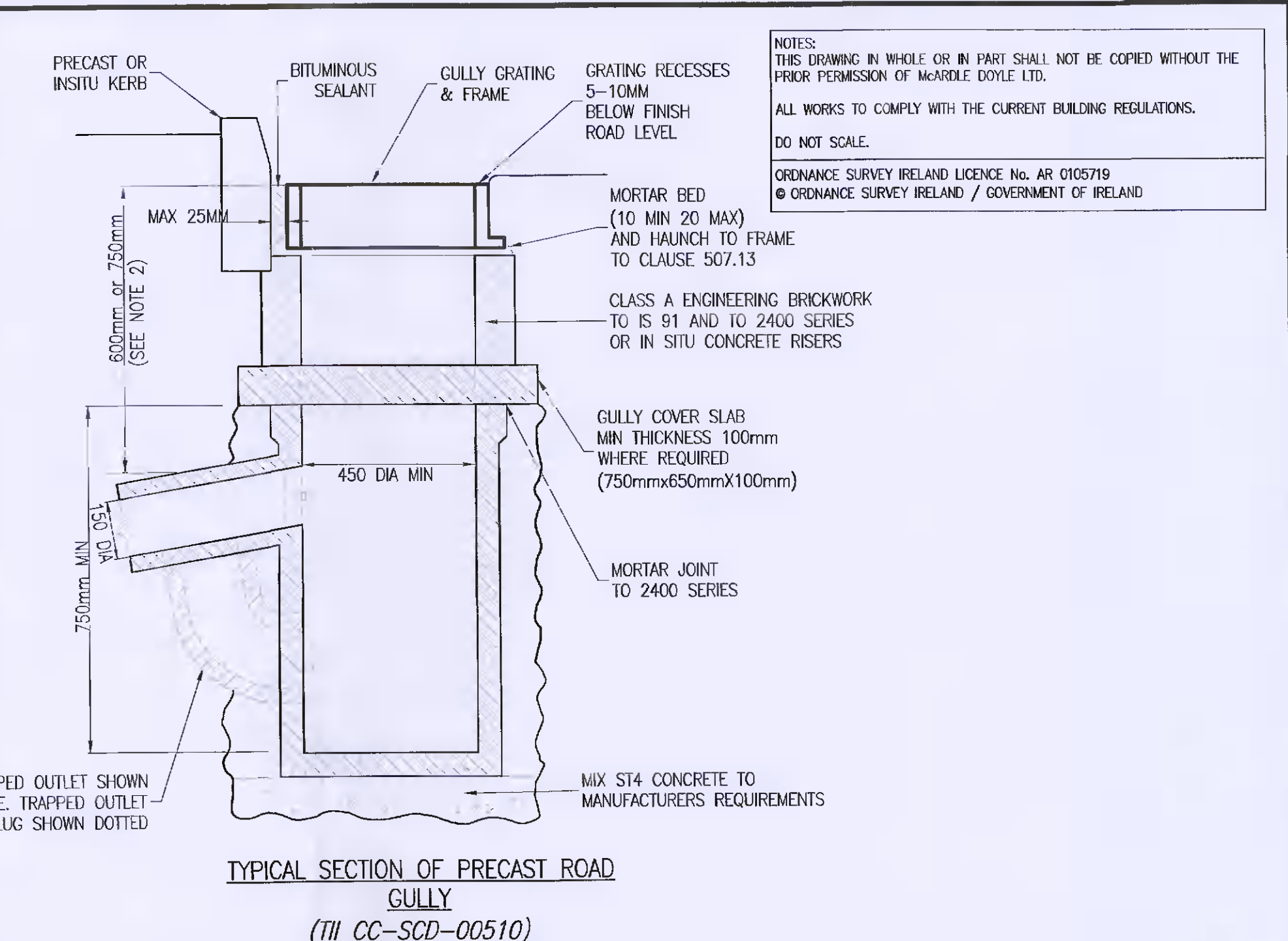
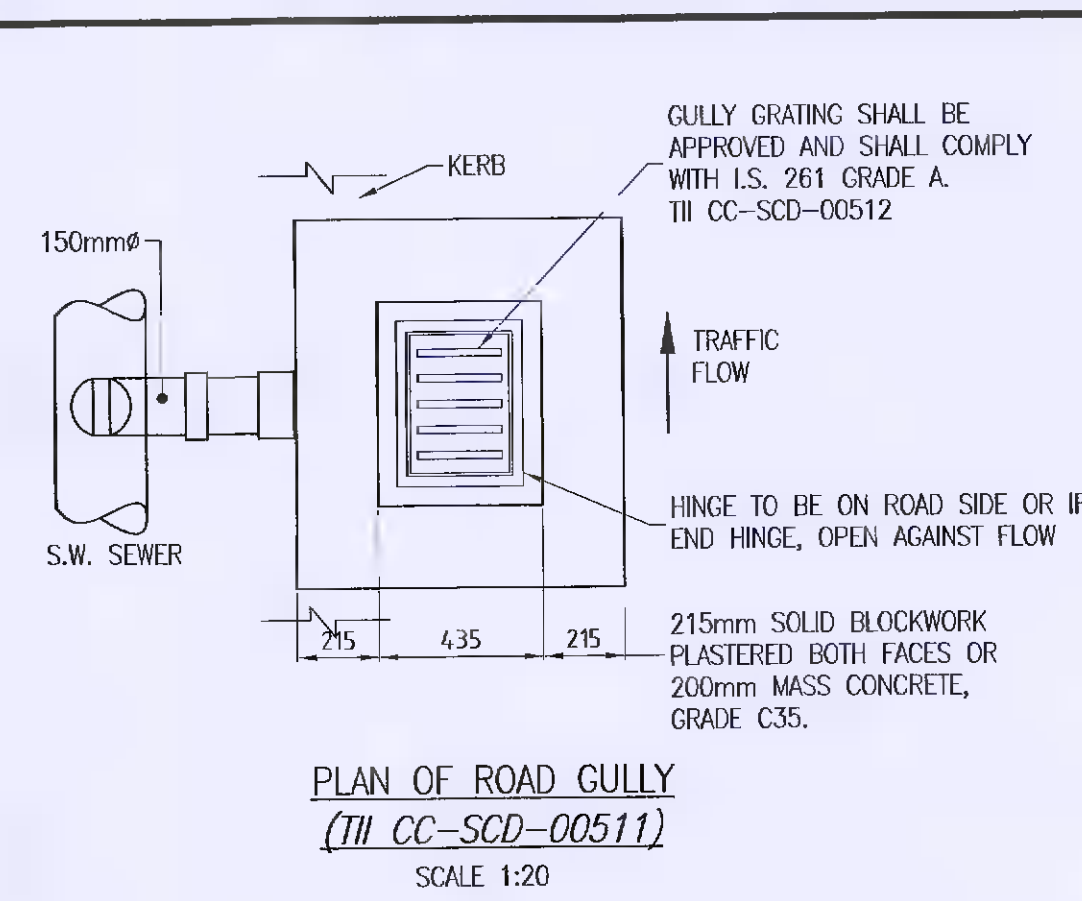
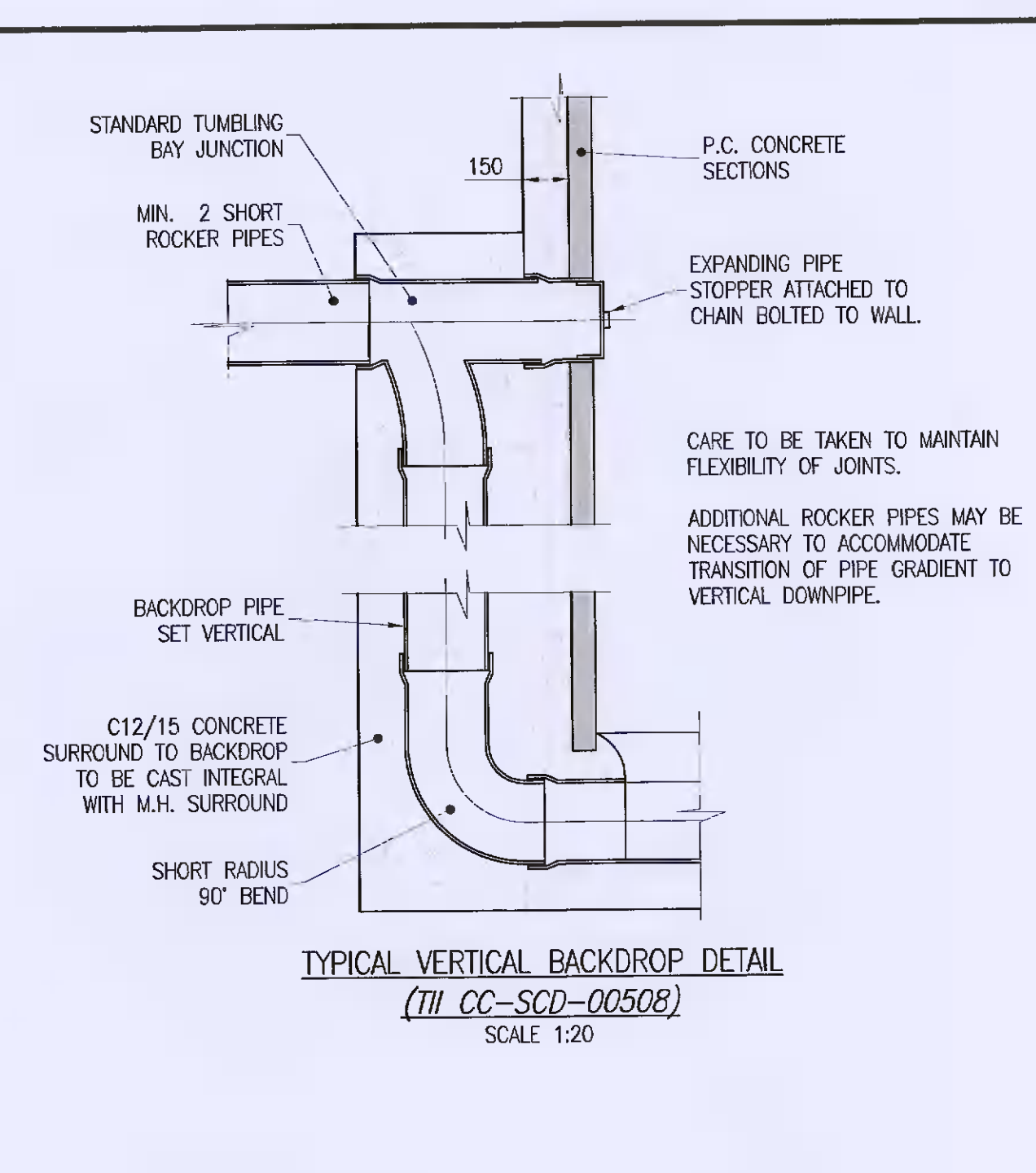
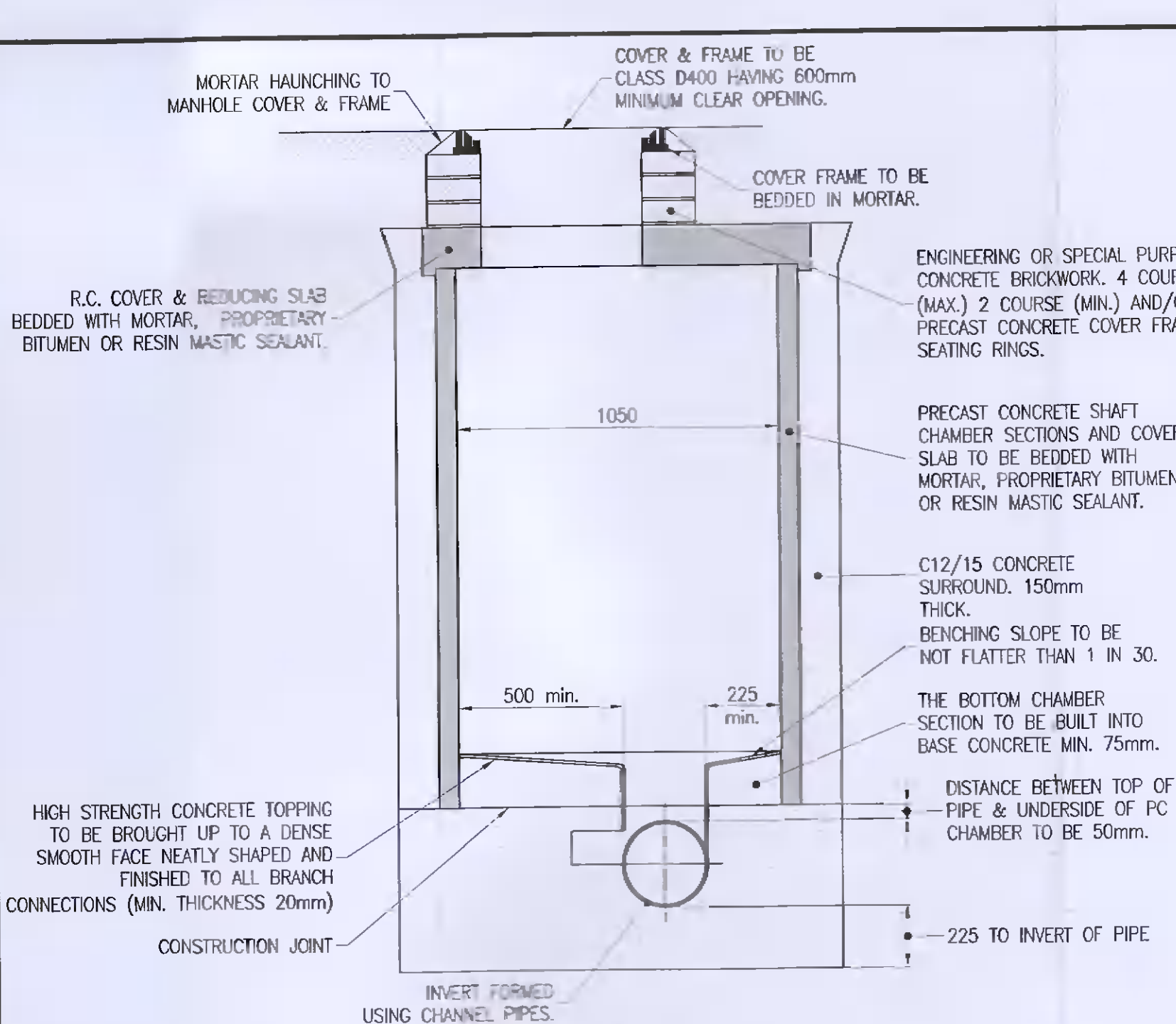


NOTES:
 THIS DRAWING IN WHOLE OR IN PART SHALL NOT BE COPIED WITHOUT THE PRIOR PERMISSION OF MARDLE DOYLE LTD.
 ALL WORKS TO COMPLY WITH THE CURRENT BUILDING REGULATIONS. DO NOT SCALE.
 GEOMATIC SURVEY IRELAND LICENSE NO. AS 010719
 & GEOMATIC SURVEY IRELAND / GOVERNMENT OF IRELAND



ISSUED FOR PLANNING COMPLIANCE	GR (22.06.22)
Rev. Description	By Date

McArdle Doyle
 Second Floor Exchange Building The Long Walk Dundalk, Co. Louth
 Chartered Engineers Architectural Services & Project Managers
 mail@mcdoyle.ie +353(0) 42 942 9052

PROJECT: RETENTION OF DEVELOPMENT AT 12 CRAG AVENUE, CLONDALKIN INDUSTRIAL ESTATE

CLIENT: EMO OIL LTD.

DRAWING TITLE: PROPOSED DRAINAGE DETAILS

Date	Drawn	Checked	Approved
02/06/22	GR	RMcA	RMcA
Scale of A1 AS SHOWN	Drawing Number	Status	Rev.
P1922.COM.C04	PC	-	-

2/3